

TIMKEN



Timken® Fafnir® Super Precision Bearings
for Machine Tool Applications

INDEX

A

ENGINEERING

Bearing Selection Process	13
Determination of Applied Loads and Bearing Analysis	36
Bearing Reactions, Load Ratings and Life	42
Permissible Operating Speed	53
Lubrication	56
Run-In Procedures	61
Heat Generation and Dissipation	64
Tolerances	67
Fitting Practices	80
Shaft and Housing Considerations	88
Mounting Designs	92
Setting and Preloading Guidelines	101

B

PRECISION TAPERED ROLLER BEARINGS

Part Numbering Systems	107
Introduction	110
TS Style – Metric, Inch	112
TSF Style – Metric, Inch	116
TXR Style – Metric, Inch	120
TSHR Style – Metric, Inch	122

C

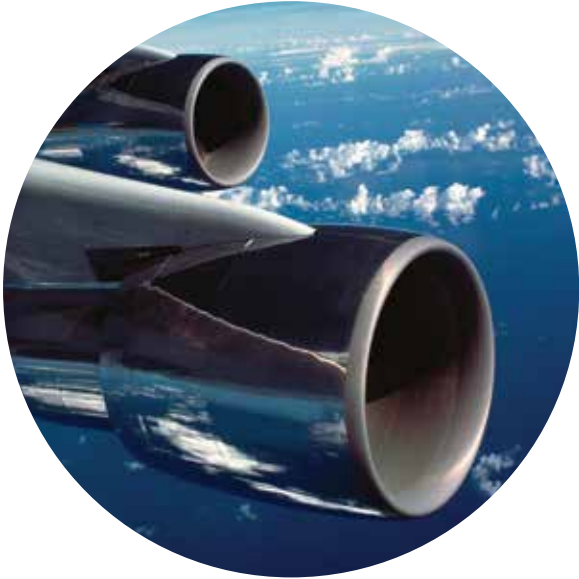
SUPER PRECISION BALL BEARINGS

Part Numbering Systems	129
Introduction	134
Optimized Grades of Precision	134
Bearing Types	134
Applications	137
Spindle Bearings	142
Ball Screw Support Bearings	192
Ex-Cell-O Spindle Bearings	206

D

APPENDIX

Frequency Coefficients	210
Tapered Roller Bearings	210
Ball Bearings	214
Ball Screw Support Series	226
Precision Tag Deviation and Runout Charts	227
Geometry Factors	229
Radial Internal Clearance	231
Bearing Locknuts	232
Locknut Torque	232
Lubrication Specifications	233
Operating Temperatures for Bearing Component Materials	235
Conversion Tables	236
Forms	237



TIMKEN

The world turns to Timken for innovation to move ahead of the competition. Our contributions to advancing work and living standards – through innovations surrounding friction management and power transmission – are invaluable. We have played a role in virtually all major technologies that have shaped our age, from automobile travel to artificial hearts. You'll find our products wherever you turn – on land, sea and in space.

When customers turn to us, they are turning to a worldwide team of highly trained and experienced associates. Because of our ability to help their products perform better, customers honor us with more than 300 awards each year. Whether it is a wheel assembly for a family vehicle, bearings for a roller coaster, repair services for rail bearings or steel for an aircraft engine shaft, we supply the products and services that help keep the world turning.



FRICITION MANAGEMENT SOLUTIONS – A TOTAL SYSTEM APPROACH

As needs change and advanced motion control systems evolve, Timken is leveraging its knowledge of friction management to offer a broader array of bearings, related products and integrated services to the marketplace. We supply quality products and services that extend beyond bearings to help all systems run smoothly.

We are committed to providing a wide array of friction management solutions. Customers can benefit by having Timken, a trusted name for more than 100 years, evaluate entire systems, not just individual components. This approach provides cost-effective solutions, while also helping to achieve application-specific objectives.



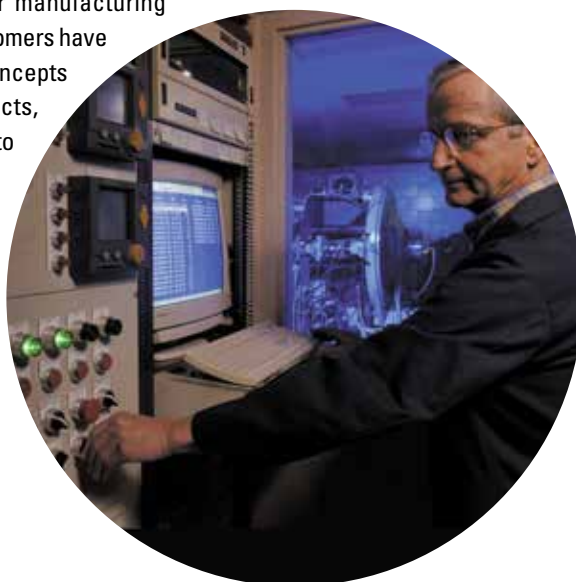
TECHNOLOGY THAT MOVES YOU

Today, major industries turn to Timken for our ability to influence the fundamentals of motion through the creation, transfer, and control of power. We invest in people, attracting scholars, engineers and specialists from around the world. We invest in tools – computers, manufacturing equipment and state-of-the-art laboratories. We invest in the future by identifying new concepts that will help Timken and its customers make their mark for years to come. Innovation is one of our core values.

The return on our technology investment has grown exponentially. Our associates increase the reliability of Timken® products and create designs that can set new performance standards. We help customers solve their immediate system issues, while developing the systems of tomorrow.

Our teams of engineers and scientists are dedicated to using everything they know about friction management and power transmission. They translate the scientific aspects of metallurgy, bearing operating characteristics, lubrication, torque, noise, heat treatment, advanced processing concepts and application development into friction management solutions.

Because our teams are located at technology centers in North America, Europe and Asia – as well as in our manufacturing facilities and field offices on six continents – customers have access to ideas and resources to transform concepts into reality. Our technology focuses on products, materials, processes and emerging technology to create new solutions.





BRANDS YOU CAN TRUST

Timken has built a strong tradition of quality, technology and innovation. A long list of customer certifications provides solid evidence that our products have earned customer trust. As our founder, Henry Timken, said, "Don't set your name to anything you will ever have cause to be ashamed of."

From design to distribution, Timken gives customers expanded options and the security of knowing that each box contains an industry-trusted product.

ABOUT THE TIMKEN COMPANY

The Timken Company is a diversified industrial manufacturer of innovative, highly engineered materials, products and power transmission systems. Timken's proprietary technologies reduce friction and enable machinery to operate more efficiently, powerfully and reliably, using less energy. With operations throughout the world, the company serves a wide range of mobile, industrial and aerospace customers.

Timken has technical centers in North America, Europe and Asia and more than 100 years of engineering experience. Recognized by Forbes magazine in 2009 as one of the "100 Most Trustworthy Companies in America," Timken has been listed on the New York Stock Exchange since 1922.

TIMKEN MACHINE TOOL SOLUTIONS

When it comes to improving machine tool performance, Timken leads the industry with an unmatched offering of friction management solutions. Our rolling bearings and related products and services set the standard in high-speed spindles, ball screws, rotary tables and other demanding applications. This wide variety means that we can offer the right bearing for almost any machine position.

Backed by global Timken innovation and a long machine tool heritage, we focus on enhancing customer performance and productivity through our product technology and application experience. With renowned Timken quality and a commitment to precision that exceeds industry standards, we continue to develop bearings that support the drive for higher speeds, maximum resolution, accuracy and repeatability. Longer bearing service life translates to more machine uptime and production throughput.

PRODUCT BREADTH

Timken offers a broad range of rolling bearings and related products and services to meet worldwide machine tool needs. Our portfolio includes specialized tapered roller and ball bearings, produced to the precision classes that deliver the operating characteristics necessary for the highest performance. Timken® bearings meet or exceed application needs for rotational accuracy, consistency and rigidity. Our total friction management approach also includes lubrication, condition monitors and other products “around the bearing.”

Timken® tapered roller bearing types available in precision classes include the single-row TS and TSF styles, as well as the variable-preload Hydra-Rib™ bearing, the high-speed TSMA bearing and the compact TXR crossed roller bearing. Timken® precision tapered roller bearings range from less than 20.000 mm (0.7874 in.) bore to more than 2000.000 mm (78.7402 in.) outside diameter, depending upon bearing type.

Timken® Fafnir® angular contact ball bearings are manufactured to ABEC 7 (ISO P4) and ABEC 9 (ISO P2) precision classes. They are available in 15 degree and 25 degree contact angles, as well as custom configurations. Different ring designs (WI, WO, WN and K) meet specific application requirements with either steel or ceramic balls. The HX and sealed HXVV bearings deliver high-speed benefits with unique ball complements and raceway geometries. Sizes range from 10.000 mm (0.3937 in.) bore to 400.000 mm (15.7480 in.) outside diameter.

Ball screw support bearings with steep contact angles, available in single row, or in housed units, provide high levels of stiffness for the demands of servo-controlled machinery. Sealed double-row flanged (or cartridge) units simplify installation.





As a Timken customer, you receive an uncompromising standard of quality across the broadest range of bearings and related products. Brands like Timken and Fafnir reflect an extensive line of tapered, spherical, cylindrical, ball bearings and mounted units ideal for virtually every machine tool and industrial application. Our core products are complemented by an ever-growing line of friction management solutions including lubricants, single-point lubricators, maintenance tools, safety equipment, repair services that help keep operations running smoothly.

The EZ Machine Tool Program can perform cost-effective quick delivery of a variety of machine tool ball bearings for product not easily found at local distribution centers.

ABOUT THIS CATALOG

Timken offers an extensive range of bearings and accessories in both imperial and metric sizes. For your convenience, size ranges are indicated both in millimeters and inches. Contact your Timken sales representative to learn more about our complete line for the special needs of your application.

USING THIS CATALOG

We are committed to providing our customers with maximum service and quality. This catalog contains dimensions, tolerances and load ratings, as well as an engineering section describing fitting practices for shafts and housings, internal clearances, materials, and other bearing features. It can provide valuable assistance in the initial consideration of the type and characteristics of the bearing that may best suit your particular needs.

CATALOG FEATURES

Dimension and load rating data within the various types and styles of bearings is organized by size.

ISO, DIN, and ABMA, as used in this catalog, refer to the International Organization for Standardization, Deutsches Institut für Normung EV and the American Bearing Manufacturers Association.

SPECIAL APPLICATIONS

Some products, such as for aerospace applications, are made to special standards, and only the original equipment manufacturer can determine if a particular bearing is suitable for use in their equipment.



NOTE

Product performance is affected by many factors beyond the control of Timken. Therefore, the suitability and feasibility of all designs and product selection should be validated by you. This catalog is provided solely to give you, a customer of Timken or its parent or affiliates, analysis tools and data to assist you in your design.

No warranty, expressed or implied, including any warranty of merchantability or fitness for a particular purpose, is made by Timken. Timken products are sold subject to a Limited Warranty.



LIMITED WARRANTY

We warrant for a period of one year (unless a shorter period applies to a particular product) from the date of shipment that our products shall be free of defects in material and workmanship, as shall be determined by our manufacturing standards, and shall conform to the description on the face of our quotation or this acknowledgment. **THE WARRANTY DESCRIBED HEREIN SHALL BE IN LIEU OF ANY OTHER WARRANTY, EXPRESS OR IMPLIED, INCLUDING BUT NOT LIMITED TO ANY IMPLIED WARRANTY OF MERCHANTABILITY OR FITNESS FOR A PARTICULAR PURPOSE.** The terms contained herein constitute the entire agreement of the parties and the warranty representations of the seller. There are no other representations, warranties, or guarantees applicable to the sale of our products unless otherwise expressly agreed to by us in writing.

**PURCHASER'S EXCLUSIVE REMEDY/
SELLER'S EXPRESS LIMIT OF LIABILITY**

Purchaser's exclusive remedy for any warranty claim, or for any claim arising out of the purchase or use of our products, shall be the replacement of said products. We will replace our products, without charge to the purchaser, f.o.b. our point of shipment. We will not be liable for any consequential, incidental, or other damages sustained by purchaser, including but not limited to, loss of profits or revenue, loss of use of product, cost of capital, cost of substituted product, facilities, services, or claims of purchaser's customers for any damages. Any warranty claim of purchaser must be made within one year of the date of shipment of the product. This exclusive remedy applies regardless of the nature of purchaser's claim, whether in contract, tort, express or implied warranty, negligence or strict liability, upon which damages are claimed and regardless of whether the same is due to our negligence or any defect in our product.

TERMS AND CONDITIONS OF SALE

All products described in this catalog are sold subject to Timken's Terms and Conditions of Sale. It is understood that the buyer, in selecting and ordering from this catalog, which supersedes all previous editions, accepts all Terms and Conditions of Sale, a copy of which may be obtained from your Timken sales office. Timken objects to any additional or different terms.

⚠ WARNING
Failure to observe the following warnings could create a risk of serious injury.

Proper maintenance and handling practices are critical. Always follow installation instructions and maintain proper lubrication.

Never spin a bearing with compressed air. The rolling elements may be forcefully expelled.

NOTE

Every reasonable effort has been made to ensure the accuracy of the information contained in this catalog, but no liability is accepted for errors, omissions or for any other reason.

SHELF LIFE AND STORAGE OF GREASE-LUBRICATED BEARINGS AND COMPONENTS

Timken guidelines for the shelf life of grease-lubricated rolling bearings, components and assemblies are set forth below. Shelf life information is based on test data and experience. Shelf life should be distinguished from lubricated bearing/component service life as follows:

SHELF LIFE

Shelf life of the grease-lubricated bearing/component represents the period of time prior to use or installation. The shelf life is a portion of the anticipated aggregate service life.

It is impossible to accurately predict service life due to variations in lubricant bleed rates, oil migration, operating conditions, installation conditions, temperature, humidity and extended storage. Timken cannot anticipate the performance of the grease lubricant after the bearing or component is installed or placed in service.

The bearing shelf life is related primarily to the lubricant's ability to maintain the bearing's original manufactured radial internal clearance and freedom to rotate.

The component shelf life is related to the ability of the component to function as originally intended.

Shelf life values, available from Timken, represent a maximum limit and assume adherence to the Timken suggested storage and handling guidelines. Deviations from Timken's storage and handling guidelines may reduce shelf life. Any specification or operating practice that defines a shorter shelf life should be used.

TIMKEN DISCLAIMS RESPONSIBILITY FOR THE SHELF LIFE OF ANY BEARING/COMPONENT LUBRICATED BY ANOTHER PARTY.

STORAGE

Timken suggests the following storage guidelines for its finished products (bearings, components, and assemblies, hereinafter referred to as "Products"):

- Unless directed otherwise by Timken, Products should be kept in their original packaging until they are ready to be placed into service.
- Do not remove or alter any labels or stencil markings on the packaging.
- Products should be stored in such a way that the packaging is not pierced, crushed or otherwise damaged.
- After a Product is removed from its packaging, it should be placed into service as soon as possible.
- When removing a Product that is not individually packaged from a bulk pack container, the container should be resealed immediately after the Product is removed.
- Do not use Product that has exceeded its shelf life as defined in Timken's shelf life guidelines statement.
- The storage area temperature should be maintained between 0° C (32° F) and 40° C (104° F); temperature fluctuations should be minimized.
- The relative humidity should be maintained below 60 percent.
- The storage area should be kept free from airborne contaminants such as, but not limited to: dust, dirt, harmful vapors, etc.
- The storage area should be isolated from undue vibration.
- Extreme conditions of any kind should be avoided.

Inasmuch as Timken is not familiar with a customer's particular storage conditions, these guidelines are strongly suggested. However, the customer may very well be required by circumstance or applicable government requirements to adhere to stricter storage requirements.

Most bearing types are typically shipped protected with a corrosion-preventive compound that is not a lubricant. Such bearings may be used in oil-lubricated applications without removal of the corrosion-preventive compound. When using some specialized grease lubrication it is advisable to remove the corrosion-preventive compound before packing the bearings with suitable grease.

Some bearing types in this catalog are pre-packed with suggested grease suitable for their machine tool application. Frequent replenishment of the grease may be necessary for optimum performance. Care must be exercised in lubricant selection, however, since different lubricants are often incompatible.

When specified by the customer, bearings may be ordered pre-lubricated with suitable greases and oils.

Upon receipt of a bearing shipment, it should be ensured that the bearings are not removed from their packaging until they are ready for mounting so that they do not become corroded or contaminated. Bearings should be stored in an appropriate atmosphere in order that they remain protected for the intended period.

Any questions concerning the shelf life or storage policy should be directed to your local sales office.

ENGINEERING

A

A ENGINEERING

<i>Bearing Selection Process</i>	13
<i>Determination of Applied Loads and Bearing Analysis</i> . . .	36
<i>Bearing Reactions, Load Ratings and Life</i>	42
<i>Permissible Operating Speed</i>	53
<i>Lubrication</i>	56
<i>Run-In Procedures</i>	61
<i>Heat Generation and Dissipation</i>	64
<i>Tolerances</i>	67
<i>Fitting Practices</i>	80
<i>Shaft and Housing Considerations</i>	88
<i>Mounting Designs</i>	92
<i>Setting and Preloading Guidelines</i>	101



ENGINEERING



THE BEARING SELECTION PROCESS

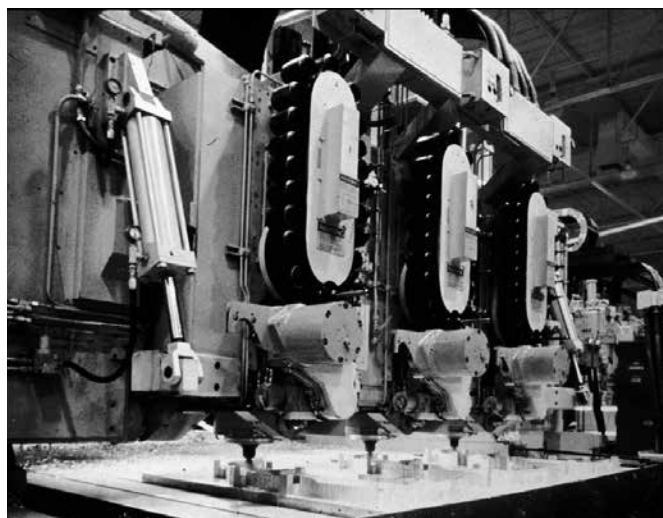
TIMKEN® BEARINGS

Timken provides an extensive variety of rolling bearing types and sizes – to the extent that customers need not look elsewhere. Knowing that the bearing is often the most critical component within a moving assembly, Timken engineers take great care to ensure the customer is receiving maximum value when a Timken® bearing is selected to perform a given function. With the acquisition of the Fafnir® brand, Timken can provide the proper bearing for virtually any motion-control application. With more than a century of proven experience in bearing technology, Timken is truly a world leader in the rolling bearing industry.



The Timken Company has an experienced, highly skilled staff of trained engineers located around the world to assist the customer in bringing new, mechanized products to market. Timken engineers are a powerful resource for customers to turn to for assistance in the appropriate selection of bearings to meet any of the following considerations:

- Higher technical demands or higher levels of application requirements.
- Higher levels of machine complexity.
- Critical applications where system damage must be avoided for all modes of operation.
- Potential exposure to personal injury.
- Costly damage or downtime resulting from the use of an inappropriate bearing for a given task.



Because Timken offers so many bearing configurations to serve a wide variety of situations, a suggested starting point in the selection process should focus on the assessment of two basic categories: the first being boundary (or fixed) conditions and the second being performance expectations (or desired results). Depending on your application, the boundary conditions and performance expectations will vary. Trade-offs or compromises must often be addressed so that the final bearing type and size selected are a reasonable balance of all factors. It is a wise practice to examine factors critical to the success of the device and prioritize them.



Boundary (or fixed) conditions that should be taken into consideration include:

- External loads, including radial, thrust, moment, shock and combination loads.
- Acceleration and deceleration levels.
- Operating temperature range (including extreme limits and thermal cycling).
- Other environmental factors, such as humidity, fluids, vibration, debris, magnetic fields.
- Spatial constraints.

Performance expectations (or desired results) to consider include:

- Rotational accuracy and repeatability (e.g., service precision level).
- System rigidity (axial or radial stiffness).
- Application service life.
- Speed.

Since the rolling bearing is an integral part of the machine, looking at the key operating parameters of the system also will help focus on the most viable bearing solution.

Typical considerations in machine design also include optimization of controllable variables affecting application performance:

- Bearing design.
- Bearing shaft and housing arrangement; shaft and housing material.
- Installation and handling requirements of the bearing, as well as shaft and housing preparation.
- Presence of adequate sealing for the exclusion of contaminants; types of foreign materials possible.
- Lubricating method (lubrication type and delivery system).
- Maintenance procedures and intervals.



Once these conditions and expectations have been identified and prioritized, the most appropriate bearing type(s), size(s), and part number(s) that meet the basic application requirements can be selected.

BEARING PERFORMANCE CHARACTERISTICS

The following matrix should be viewed only as a general overview of bearings available from Timken and their general performance characteristics. Bearing selection is not a clear-cut, simplistic procedure, but rather a sequence of interdependent tasks that must take into consideration customer goals, manufacturing economics, design expectations and, above all, human safety.

Most machine tool applications require bearings with extreme precision, designed specifically to meet the boundary conditions and performance requirements. Timken® super precision bearings offer quality and precision tolerances to help customers achieve target job requirements and production throughput. It is always prudent to enlist the assistance of your Timken representative to achieve optimum results.



Tapered roller bearing



Thrust tapered roller bearing



Cylindrical roller bearing



Thrust cylindrical roller bearing



Spherical roller bearing



Thrust spherical roller bearing



Ball bearing



Thrust ball bearing

Characteristic	Tapered roller bearing	Thrust tapered roller bearing	Cylindrical roller bearing	Thrust cylindrical roller bearing	Spherical roller bearing	Thrust spherical roller bearing	Ball bearing	Thrust ball bearing
Pure radial load	Excellent	Unsuitable	Excellent	Unsuitable	Excellent	Unsuitable	Good	Poor
Pure axial load	Good	Excellent	Unsuitable	Good	Fair	Excellent	Fair	Excellent
Combined load	Excellent	Fair	Fair	Unsuitable	Excellent	Fair	Good	Poor
Moment load	Fair	Poor	Unsuitable	Unsuitable	Unsuitable	Unsuitable	Good	Poor
High stiffness	Excellent	Excellent	Good	Excellent	Good	Good	Good	Good
Quiet running	Fair	Fair	Good	Poor	Fair	Poor	Excellent	Good
Low friction	Good	Fair	Fair	Poor	Fair	Fair	Excellent	Excellent
Misalignment	Poor	Poor	Poor	Unsuitable	Excellent	Excellent	Good	Poor
Locating position (fixed)	Excellent	Good	Fair	Fair	Good	Good	Good	Excellent
Non-locating position (floating)	Good	Unsuitable	Excellent	Unsuitable	Fair	Unsuitable	Good	Unsuitable
Speed	Good	Fair	Good	Poor	Fair	Poor	Excellent	Fair

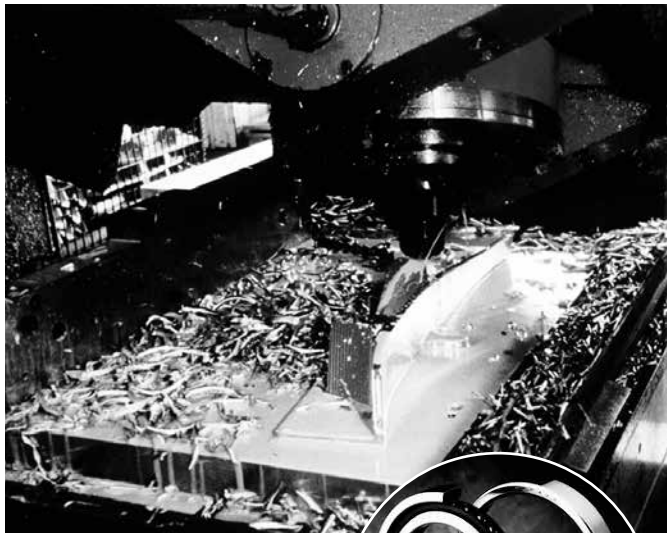
Table 1. Relative operating characteristics of various bearing types.

TIMKEN® SUPER PRECISION BEARINGS

Manufacturers require machine tools that are extremely accurate, reliable and capable of high levels of productivity. A major contribution to the performance of any machine tool is supplied by the rolling bearings used to support the spindles, rotating tables, ball screws and other critical precision positions. A manufactured bearing's precision level has a major influence on the ability to perform in high-speed applications commonly seen in factory machining environments.

WHICH TYPE OF TIMKEN BEARING IS MOST APPROPRIATE FOR YOUR MACHINE TOOL APPLICATION?

To achieve the highest possible performance precision level, the majority of machine tool-related bearing applications must address four primary requirements: speed, stiffness, accuracy and load capacity.



Timken offers a wide range of products targeted for improving machining efficiency, cutting accuracy, and productivity. Qualified sales and service engineers are available to help determine an appropriate solution for individual applications.

Speed

Today's industrial machining environments stress maximum production rates. To reach these high metal-removal goals, machines are operating at maximum speeds with working spindles tuned to provide premium running accuracy.

Achievable spindle rotating speeds require management of heat generation within the bearing assembly. The bearing's ability to not only minimize heat buildup, but also expel excess heat, is a crucial consideration in the bearing selection process. Because of the differences in rolling element contact geometry, ball bearings are superior in minimizing heat generation, especially where higher speeds are desired.

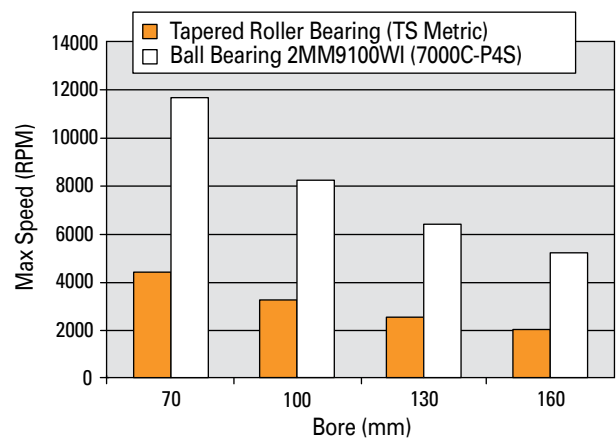


Fig. 1. Tapered roller bearing vs. ball bearing maximum permissible speed (with synthetic high-speed grease).

Figure 1 compares the relative maximum speed of similar cross section ball and tapered roller bearings (both using synthetic grease as a baseline lubricant). Therefore, in applications where higher RPM levels are the primary concern, ball bearings have a distinct advantage.

Bearings must be carefully designed to minimize heat generation and vibration to enable high speeds. Specific strategies include overall bearing configuration, precision internal geometry and material selection. Optimizing bearing ring and shoulder construction with the ball complement supports higher speed performance. Engineering raceway and ball geometry helps to minimize friction, while ceramic rolling elements generate less heat with reduced skidding.

To prevent vibration at high speeds, close bearing tolerances are required. Timken® machine tool bearings are designed to meet or exceed industry tolerance standards and deliver smooth running performance.

In addition to the use of hybrid ceramic technology, further enhancements in speed, as well as control of bearing noise and temperature, can be achieved through cage design or material, and choice of lubrication.

Many of the factors that allow for maximum speed have been designed into Timken's HX series of super precision ball bearings. Engineered for the reduction of friction and minimum heat buildup, this series features unique ball complements and precision-engineered surface geometries. Options for further enhancing speed include the use of low weight ceramic rolling elements, lubrication designed for high speed, and lighter preload levels. These are discussed in further detail later in this catalog.

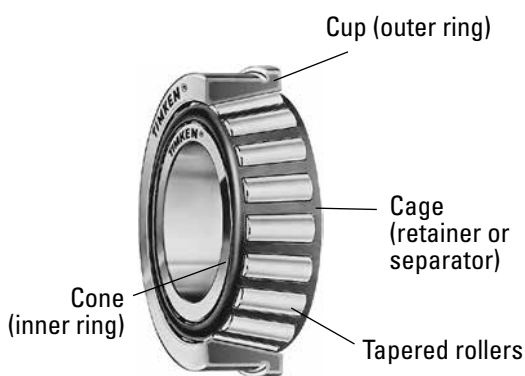
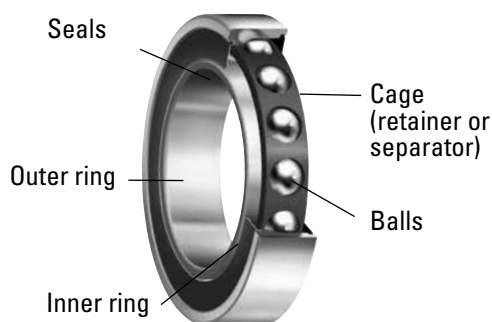


Fig. 2. Bearing components.

Stiffness

The ability to minimize tool deflection experienced under cutting loads is vital to achieving the accuracy needed to produce finished parts within specified tolerances. Less variance produces better quality and helps keep product scrap levels at a minimum. Bearings have a significant effect on spindle stiffness, due to their deflection under applied load. Because of their internal geometry and rolling element type, tapered roller bearings provide considerably higher stiffness levels as shown in Figure 3 and 4.

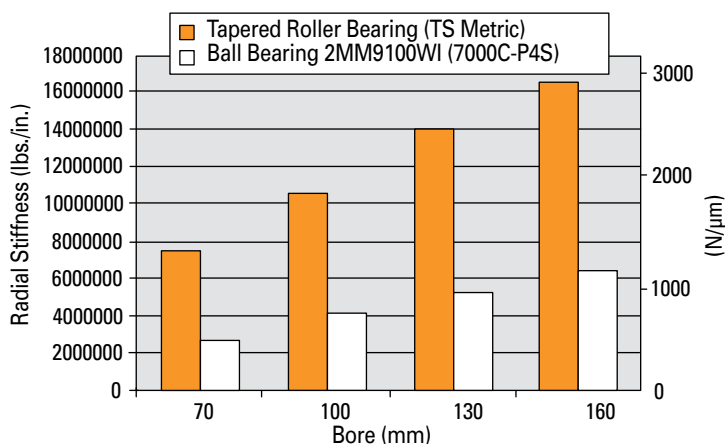


Fig. 3. Tapered roller bearing vs. ball bearing radial stiffness.

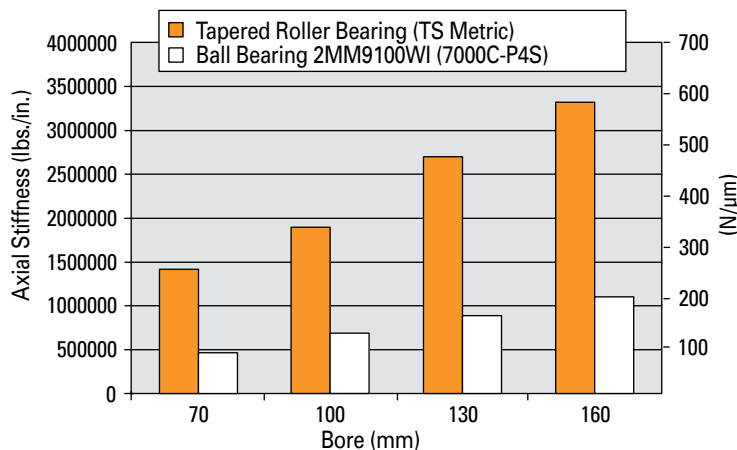


Fig. 4. Tapered roller bearing vs. ball bearing axial stiffness.

Bearing stiffness also depends on design load zone, which is directly related to bearing setting, clearances and applied loads. (Setting is defined as a specific amount of either end play or preload.)⁽¹⁾ A bearing under radial load with zero end play/zero preload has a load zone close to 180 degrees, while a bearing with preload can reach 360 degrees load zone. Figure 5 shows the effect of load zone on tapered roller bearing stiffness. The curves demonstrate that while the effect of external loads on stiffness is important, the impact from setting is more significant.

⁽¹⁾For additional information, see guidelines on page 101.

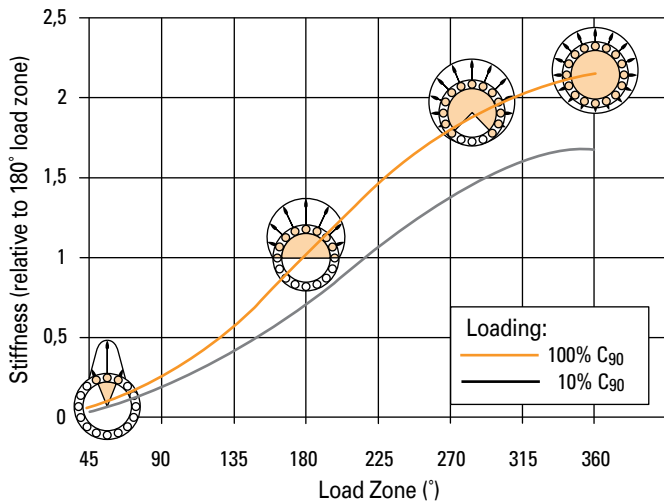


Fig. 5. Effect of load zone on bearing stiffness.

Since thermal expansion can dramatically affect preload or setting, it can also play a very important role in the resulting static and dynamic stiffness of a spindle system. This applies to ball bearings as well.

An inherent advantage of the tapered roller bearing is that it can be adjusted after mounting. This means that the optimum stiffness can be obtained either by determining the proper setting during the mounting phase for a simple bearing arrangement, or during running by the use of a “variable preload” bearing design such as Timken® Hydra-Rib™ and Spring-Rib™ bearings.

To better manage the load sharing of the set of rolling elements, Timken offers a variety of designed-in preload levels for ball bearings. Be conservative with the addition of preloading as these forces will contribute to heat generation, reducing the maximum permissible speed of either ball or tapered roller bearing designs.

Accuracy

Another key factor in the machine’s precision is the runout (rotational accuracy) of the bearing. This affects the geometry and surface finish of the target workpiece. For the ultimate accuracy and repeatability of machine tool motion, Timken® super precision ball bearings offer the best control, with quietness of operation and reduced vibration. To achieve the highest level of precision with increased stiffness and load capacity, multiple ball bearings may be used in sets specifically designed for this purpose.

The most widely recognized definition of quality is contained within the ABEC/ISO classes; however some factors affecting performance of a bearing are not completely defined within these standards. This allows for a significant range of variability in product performance among bearing manufacturers. To provide premium performance, all Timken ball bearing MV(P4), MM/MMV(P4S) and MMX(P2) precision grades comply with strict controls over these non-specified parameters – all of which can have a direct impact on the service life and performance of a bearing.

Tapered Roller Bearings - Precision Class				
Timken Metric	C	B	A	AA
Timken Inch	3	0	00	000
ISO/DIN	P5	P4	P2	-
ABMA Metric	C	B	A	-
ABMA Inch	3	0	00	-

Ball Bearings - Precision Class				
Timken FAFNIR	V	MV	MM/MMV	MMX
Timken ISO	P5	P4	P4S	P2
ISO/DIN	P5	P4	-	P2
ABMA	ABEC 5	ABEC 7	-	ABEC 9

Crossed Tapered-Precision Class		
Timken Metric	S	P
Timken Inch	3	0

Table 2. Precision bearing classes.

Super Precision Ball Bearings, Super High Precision (ABEC 7/9; ISO P4/P2)

Timken super precision ball bearings manufactured to the MM/MMV(P4S) tolerance class operate with running accuracy and performance levels meeting ABEC 9 (ISO P2) standards yet maintain other features at ABEC 7 (ISO P4) level for cost-effectiveness. Bore and O.D. surfaces are coded in micron units for the convenience of the discriminating machine tool builder striving for optimum fitting of crucial spindle components.

Ultra-Precision Ball Bearings (ABEC 9, ISO P2)

Timken MMX(P2) super precision ball bearings, with closer tolerances and running accuracies than ABEC 7 (ISO P4) bearings, are made to ABEC 9 (ISO P2) tolerances. Bearings produced to these tolerances are generally used on ultra-high-speed grinding spindles designed for tight dimensional tolerances and superfine surface finishes. Contact your Timken representative for availability of product range.

Precision Tapered Roller Bearings (Class C/S/3, B/P/0 and A/00)

The more demanding the precision objective, the more accurate the bearing must be. Timken provides three tapered roller bearing classes, in both metric and inch systems, that cover the full range of precision application requirements. In ascending order of accuracy, they are identified in the metric system as Class C/S, B/P, and A, while in the inch system as Class 3, 0, and 00.

Precision Plus™ Tapered Roller Bearings (Class 000/AA)

To further minimize the influence of variations, Timken offers a fourth level of precision tapered roller bearing manufacture so tightly controlled that it goes beyond the grade levels of both ISO and ABMA standards. Timken's Precision Plus™ line offers (metric-nominal) AA level and (inch-nominal) 000 tapered roller bearings in various sizes and styles.

<ul style="list-style-type: none"> High-speed motorized routers. Precision milling/boring machines. Super precision lathes. Class MM/MMV(P4S) Precision surface grinding machines. 	<ul style="list-style-type: none"> Ultra-precision grinding machines. Ball screws. Class MMX(P2)
<ul style="list-style-type: none"> Low precision machines. Drilling machines. Conventional lathes. Class C or 3 Milling machines. Precision gear drives. 	<ul style="list-style-type: none"> Grinding machines. Jig boring machines. Workpiece spindles (of cylindrical grinders). Class A or 00
<ul style="list-style-type: none"> NC lathes. Milling/boring machines. Class B or 0 Machining centers. 	<ul style="list-style-type: none"> High accuracy machines. Precision measuring instruments. Class AA or 000 Special applications.

Timken engineers have at their disposal vast resources of engineering data and application information to select the right bearing class and tune the critical components so that the machine tool achieves its performance objectives. The adjacent table can be considered as a general guideline for common machine tool bearing applications.

Table 3. Typical precision classes for common machine tool bearing applications.

Load Capacity

Some machining centers, such as rough grinding operations, are strategically designed for higher material removal rates. The need for aggressive feed rates requires higher load-carrying capacities. These loads can be properly distributed among the rolling elements by providing a permanent force called "preload" or "setting." Preload is the strategic removal of radial play within the bearing to ensure proper rolling element contact on both the inner and outer race. While Timken posts its load capacities in the product tables within this catalog, many applications often approach only a fraction of those limits. For example, workpiece finish may determine the feed rates needed in an application, thereby decreasing the importance of bearing capacity.

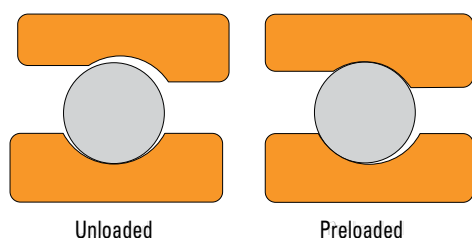


Fig. 6. Effect of preloading on ball bearing raceway contact.

Figure 7 compares the levels of static capacity of ball vs. tapered roller bearings for the benefit of contrasting basic load capability of both bearing types.

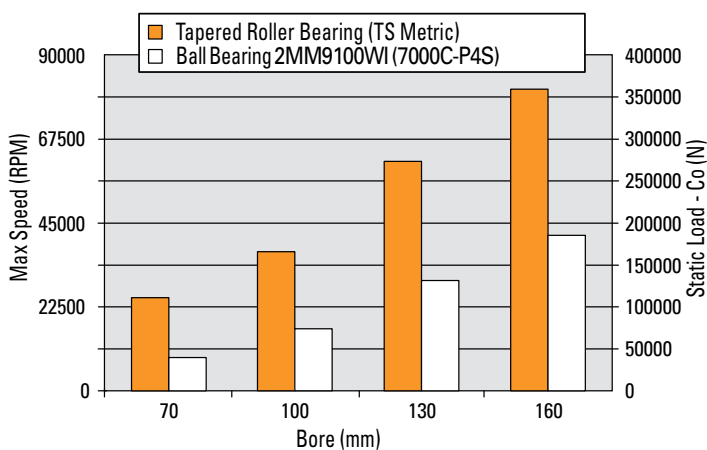


Fig. 7. Tapered roller bearing vs. ball bearing static capacities.

Consult the topics in this section addressing static and dynamic load capacity for more detailed information regarding ball bearings and tapered roller bearings to refine your choice.

Timken can assist in the final bearing selection to help you achieve your precision machining production goals. Timken's staff of application engineers is ready to put its vast experience to any test for assisting our customers with the challenging bearing applications commonly found in the machine tool industry. To refine your search, please turn to the sections covering tapered roller bearings (Sec. B) or ball bearings (Sec. C) for more information needed to obtain a complete Timken part number specification.

TIMKEN® MACHINE TOOL BEARING DESIGN

From this introductory discussion and the additional technical content within this catalog, one can obtain an indication of which rolling bearing type should be further investigated to meet the given set of boundary conditions and performance expectations.

TIMKEN® PRECISION TAPERED ROLLER BEARINGS

The fundamental design principles of the tapered roller bearing make it an ideal solution for low-speed/high-load or low-speed/high-stiffness requirements of machine tool applications.

True Rolling Motion

The angled raceways of a tapered roller bearing enable it to carry combinations of radial and axial loads. True rolling motion of the rollers and line contact on the race allow the bearing to run cooler and improve spindle stiffness and accuracy as compared to other roller bearing types. The true rolling motion is the result of two design features: the taper of the roller and the contact between the spherical surface ground on the large end of the rollers and the race rib. The rollers are designed so extensions of the lines along the roller body converge toward the centerline of the bearing and meet at an apex on this centerline (Figure 8). As a result, there is no relative slip between the rollers and races.

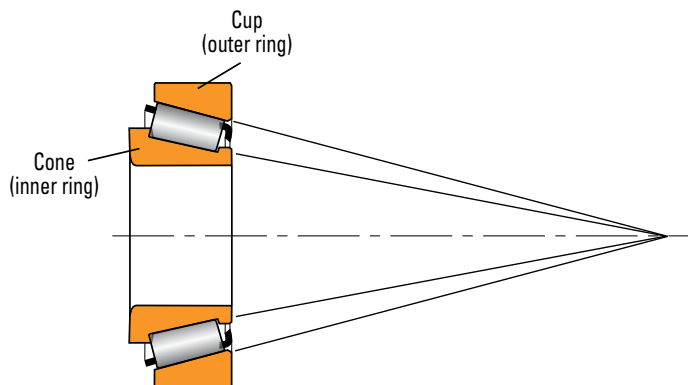


Fig. 8. On-apex design results in true rolling motion at all points along the roller body.

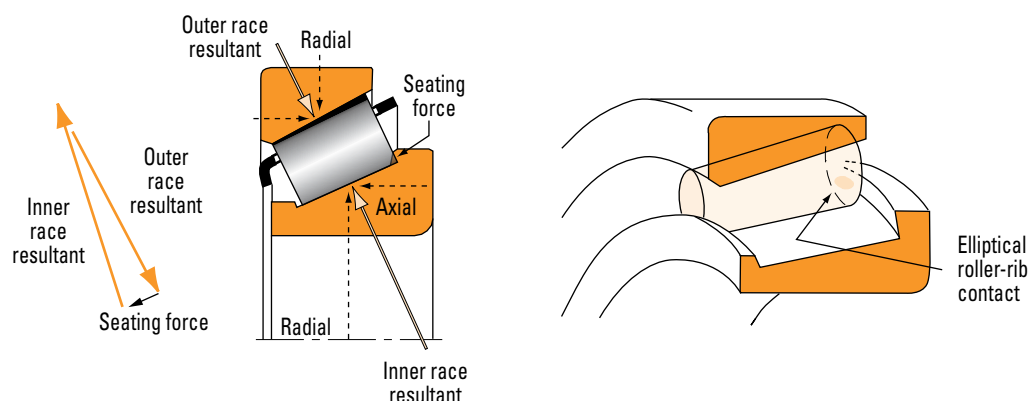


Fig. 9. Small seating force from the inner race rib keeps rollers aligned on the raceway.

The tapered configuration of the roller not only ensures that the surface speeds of the rollers and races match at every point along the roller body, but also generates a seating force that pushes the rollers' spherical ends against the race rib. This desirable seating force is a function of the different angles of the outer and inner races (Figure 9) and prevents rollers from skewing off apex. No skew means positive roller alignment, thereby enhancing bearing life, stiffness and accuracy.

Some applications require a level of precision that cannot be achieved with standard tapered roller bearings. Timken® precision tapered roller bearings promote and maintain the operating accuracy required of today's machine tool industry and various related, specialized markets. Precision class tapered roller bearings offer machine tool builders an economical design solution that exceeds most application needs for rotational accuracy and rigidity.

PRECISION CLASSES

Timken's high-precision tapered roller bearings consist of carefully matched components that offer an added degree of fine-tuning in the bearing setting and adjustment procedure to maximize customer machine productivity. Timken manufactures high-speed designs with a variable preload capability for optimum machining and Precision Plus bearings – having an overall radial runout less than a single micron.

The application of precision tapered roller bearings is not limited to machine tools. Wherever spindles turn and rotational accuracy is essential to the machine's performance, precision tapered roller bearings can be an excellent choice. Other typical applications are printing presses, optical grinders, profile cutters, indexing tables, precision drives, measuring gauges and ball screw drive applications.

To better serve the global machine tool market, Timken has manufacturing resources around the world focused exclusively on premium precision bearings. With these dedicated resources, precision quality is built into the bearing during manufacturing. To further increase service reliability, Timken precision tapered roller bearings are manufactured from high-quality steel alloys.

Precision Tapered Roller Bearing Types

The size range of Timken precision tapered roller bearings starts from less than 20.000 mm (0.7874 in.) bore and extends to more than 2000.000 mm (78.7402 in.) O.D., depending on bearing type. The most popular types made in precision classes are the single-row TS and flanged TSF as shown in Sec. B. Comprised of two main separable parts, they are usually fitted as one of an opposing pair. These bearing types are supported by a range of special bearings which have been designed for machine tool applications, such as the variable preload Hydra-Rib bearing, the high-speed TSMA bearing, and the compact TXR crossed roller bearing, which is available only in precision classes. Timken also offers a selection of two-row precision tapered roller bearings types such as the double outer ring type TDO.

Crossed Roller Bearings

A crossed roller (TXR) bearing is comprised of two sets of bearing races and rollers brought together at right angles to each other, with alternate rollers facing opposite directions, within a section height not much greater than that of a single-row bearing. Also, the steep-angle, tapered geometry of the bearing causes the load-carrying center of each of the races to be projected along the axis, resulting in a total effective bearing spread many times greater than the width of the bearing itself.

Because of the ability of the crossed roller bearing to withstand high overturning moments, it is ideal for the table bearing of machine tools such as vertical boring and grinding machines. This bearing also is well-suited for other pivot and pedestal applications where space is limited or the lowest possible center of gravity of a rotating mass is required.

Crossed roller bearings are available in two precision classes:

- Metric system Class S and P.
- Inch system Class 3 and 0.

The most common form of the bearing is type TXRDO, which has a double outer race and two inner races, with rollers spaced by separators.

Other mounting configurations and sizes of crossed roller bearings can be supplied to meet particular assembly or setting requirements. Please contact your Timken representative for further information. Also, refer to Section B for more details.

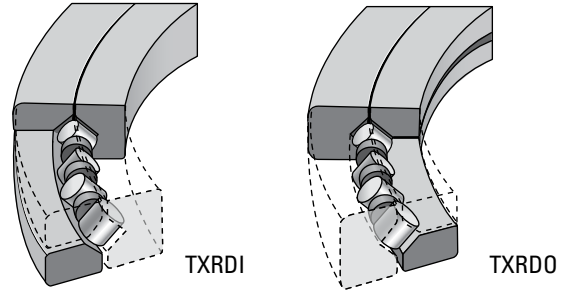


Fig. 10. TXRDI and TXRDO.

Hydra-Rib™ Bearings

Experience has demonstrated that by optimizing the design parameters of bearing geometry, spindle diameter, bearing spread, lubrication system and mounting, the two single-row bearing layout provides good results over a range of speeds and power. However, for very wide variations of speed and load, the variable preload Timken Hydra-Rib bearing concept is an excellent solution.

The Hydra-Rib bearing (Figure 11) has a floating outer ring rib in contact with the large roller ends instead of the usual fixed inner ring rib. This floating rib operates within a sealed cavity at a given pressure controlled by an appropriate hydraulic or pneumatic pressure system. Changing the pressure consequently changes the preload in the bearing system.



Fig. 11. Exploded view of a typical Hydra-Rib™ bearing.

The controlled pressure enables the floating rib to maintain constant spindle preload even though differential thermal expansion occurs in the spindle system during the working cycle. By changing the pressure, a variable preload setting can readily be achieved. This unique bearing concept allows the operator to control any machining condition by simply changing the pressure to optimize the dynamic stiffness and damping characteristics of the spindle. Furthermore, the hydraulic or pneumatic pressure control system can easily be monitored by the numerical control of the machine. In the case of oil pressure control, the hydraulic circuit of the machine can be used.

Your Timken representative should be consulted to determine the optimum bearing selection as well as the pressure figures, as a function of the given running conditions.

TIMKEN® SUPER PRECISION BALL BEARINGS

The Timken line of super precision machine tool ball bearings is designed to meet ABEC 7/9 (ISO P4/P2) tolerance levels. However, Timken manufactures all super precision ball bearings to surpass ISO/ABMA criteria to ensure that the end users receive only the highest quality product to maximize machine performance.

Spindle bearings are the most popular type of super precision ball bearing used within the machine tool industry. These angular contact bearings are used primarily in precision, high-speed machine tool spindles. Timken manufactures super precision machine tool bearings in four metric ISO dimensional series. In addition, because of specialized variations of bearing design and geometry, Timken offers a total of seven angular contact bearing types within these four basic series:

- ISO 19 (9300WI/71900, 9300HX/HX71900 series).
- ISO 10 (9100WI/7000, 9100HX/HX7000, 99100WN/WN7000 series).
- ISO 02 (200WI/7200 series).
- ISO 03 (300WI/7300 series).

Multiple internal geometries are available to optimize either load-carrying capacity or speed capability: WI, WN, HX or K. WI-type bearings are designed to maximize capacity of the various bearing cross sections and are used in low to moderate speeds. The HX is Timken's proven high-speed design. It has a significant advantage at higher speeds, generating less heat and less centrifugal loading forces. The WN-type is generally a compromise between the WI and HX as it offers higher speed capability than the WI, but lower capacity and higher stiffness than the HX design, with lower speed capability.

Most of the bearing types are available in either 15 degree (2/C) or 25 degree (3/E) contact angles. In addition, Timken now stocks more ceramic ball sizes than ever for the highest speed requirements.

The K-type deep-groove (Conrad) super precision radial bearing is generally used in applications where capacity and stiffness do not require sets containing multiple bearings. By virtue of the single-row, radial deep-groove construction, and super precision level tolerances, these are capable of carrying thrust loads in either direction, and have a relatively high-speed capability – especially if a light axial preload is applied. Timken offers deep-groove super precision radial machine tool bearings in the following ISO dimensional series:

- ISO 10 (9100K/6000 series).
- ISO 02 (200K/6200 series).
- ISO 03 (300K/6300 series).

Ball Screw Support Bearings

To meet the demands of the servo-controlled machinery field, Timken® ball screw support bearings are specially designed with steep contact angles and provide high levels of stiffness for ball screw application requirements. Timken's series of double-row, sealed, flanged (or cartridge) units use an integral double-row outer ring to help simplify installation procedures. Timken offers the following ball screw support bearing products:

- Inch series bearings (MM9300).
- Metric series bearings (MMBS).
- Flanged cylindrical cartridge housings (BSBU).
- Pillow block housings (BSPB).
- Integral double-row units (MMN, MMF).

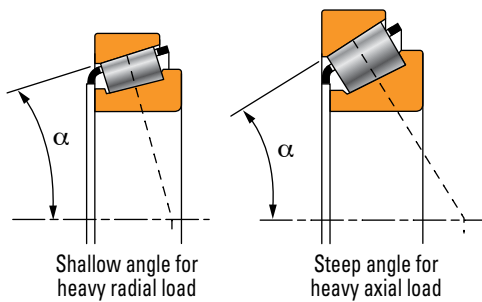
A **SELECTING THE APPROPRIATE MACHINE TOOL BEARING**

PRECISION TAPERED ROLLER BEARINGS

Angularity (K-factor)

The angled raceways allow the tapered roller bearing to carry combinations of radial and axial loads. Since load capacities are intrinsically linked to the bearing stiffness, the selection of the most appropriate tapered roller bearing cup angle can help optimize the bearing selection for a given application.

The angularity of the bearing is often described by a factor called "K." This factor is the ratio of basic dynamic radial load rating (C_{90}) to basic dynamic axial load rating (C_{a90}) in a single-row bearing. For a bearing with a ribbed cone (the most common design), it is a function of the half-included cup angle (α) and can be found listed with the geometry factors in the catalog appendix. The smaller the K factor, the steeper the bearing angle. (See Figure 12).



$$K = \frac{C_{90}}{C_{a90}} = \frac{0,39}{\tan(\alpha)}$$

Fig. 12. Designs to support radial and axial loads in any combination.

Size

Optimizing stiffness is often a customer's primary design goal when choosing a tapered roller bearing. This usually results in the determination of a desired spindle diameter. Therefore, meeting a given envelope narrows the choices for the tapered roller bearing size selection.

Speed

The next most common criteria are the speed capability/limitations of the remaining potential candidates. This can be challenging, since the speed rating of a tapered roller bearing is a function of its internal geometry, the axial setting under operation conditions, the lubricant used and method of delivery. There is a speed guideline matrix on page 54 that will aid in determining the speed rating and suggested lubricant/delivery method for your tapered roller bearing application. Included in the appendix is a table listing the G_1 and G_2 factors that can be utilized to compare the relative speed capability and heat generation between the various tapered roller bearing selections. Please refer to the topics on permissible operating speeds and heat generation for further discussion.

Construction

Tapered bearings are uniquely designed to manage both axial and radial loads on rotating shafts and in housings. The steeper the cup angle, the greater the ability of the bearing to handle axial loads. Customized geometries and engineered surfaces can be applied to these bearings to further enhance performance in demanding applications.

Timken has designed a variety of tapered roller bearing types to specifically address various machine tool requirements. Each of these designs is best suited to a specific set of application needs. The key features of each type are highlighted below:

TS or TSF Bearing

- Most widely used type of tapered roller bearing.
- Minimum precision grade Level 3 or C (ISO P5).
- TSF has a flanged outer ring to facilitate axial location.
- Available in most bearing series.
- Used in rotating shaft applications.

TSMA Bearing

- Axial oil manifold with axial holes through rib.
- Suitable with circulating oil or oil mist lubrication.
- Centrifugal force distributes oil to critical rib/roller end contact.
- Available in most precision grades.
- Available in most bearing series.
- Used in rotating shaft applications.

Hydra-Rib Bearing

- Designed to maintain optimum spindle system preload.
- Floating outer ring rib is positioned by a “pressure” system.
- Rib in contact with the large roller ends instead of the usual fixed inner ring rib.
- Variable preload setting adaptable to manual, tape, or computer control.
- Wide speed range with optimum preload setting.
- Improved spindle accuracy.
- Improved static and dynamic stiffness.
- Lower operating temperatures.
- Heavier cuts with better tool life.

Spring-Rib Bearing

- Designed to maintain optimum spindle system preload.
- Floating outer ring rib is positioned by a “spring” system – pressurizing system not required.
- Rib in contact with the large roller ends instead of the usual fixed inner ring rib.
- Improved spindle accuracy.
- Improved static and dynamic stiffness.
- Heavier cuts with better tool life.

Crossed Roller Bearing

- Designed to resist overturning loads.
- Steep-angled geometry provides wider effective spread.
- High tilting stiffness.
- Adjustable design for optimum preload.
- Compact design reduces space requirement.
- Reduced application machining costs.

End Play (Preload)

The end play of a tapered roller bearing during installation affects:

- Load zone control, impacting bearing life.
- System rigidity, impacting deflection.
- Housing and shaft diameter tolerances.

End play/preload setting is determined based on desired stiffness, reduction in heat generation, and optimal rated life. For information on setting, please see page 101.

Precision Class

Typically, once the most appropriate bearing part number is identified for a particular application, the final parameter is the desired precision level. Standard class tapered roller bearings have crowned or enhanced profiles for races and rollers. Timken precision tapered roller bearings have straight profiles with running accuracy and performance meeting ISO P5, ISO P4, and ISO P2 levels. The Precision Plus series offers total radial runout of less than a single micron, exceeding the ISO P2 precision level and allowing for improved accuracy. The suggested assembly and/or inspection code (precision class and performance code) can be applied to the chosen part number to obtain the necessary precision level.

Other

Consult Timken for suggestions related to appropriate bearing enhancements that can improve the performance of your application.

Such enhancements might include unique precision levels, conversion of a TS-style design to a (flanged) TSF or (multi-row) TDO, or possibly ceramic rolling elements for better stiffness and speedability.

SUPER PRECISION BALL BEARINGS

As previously noted, optimizing speed, stiffness, accuracy and load capacity is often a customer's primary design goal. This usually results in the identification of several characteristics that will determine the final bearing selection. The following design variables influence bearing performance as noted.

Contact Angle

A contact angle is created between the rolling element and raceway to support a combination of radial and axial (thrust) loads. Deep-groove (Conrad) bearings designed with 0-degree contact angle are best for supporting radial loads or small axial loads in two directions. To support high axial or combination loads, angular contact bearings are often preferred. For additional support of radial and axial load in either direction, sets of bearings in opposing directions are utilized.

The majority of Timken angular contact super precision ball bearings

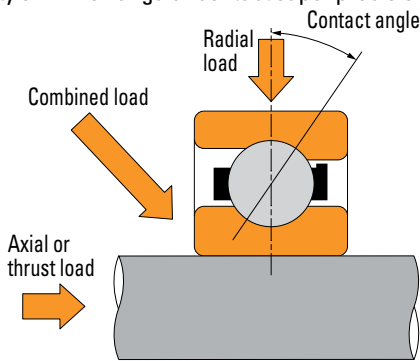


Fig 13. Example of ball bearing loading.

are available with standard high (25 degree) and low (15 degree) contact angles, with additional options upon request. Each type has inherent characteristics that are desirable for machine tool spindles. Contact angle is chosen primarily based on the predominant load direction.

- 15° - used when loading is primarily radial; for very high speed applications.
- 25° - used when loading is primarily axial.
- 60° - highest axial stiffness; used in ball screw support bearings.

High speeds cause centrifugal forces on the ball. A lower contact angle handles the centrifugal force more favorably as higher speeds lead to higher internal radial loads.

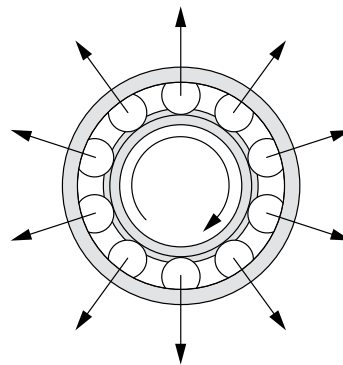


Fig 14. Centrifugal forces of a rotating ball bearing.

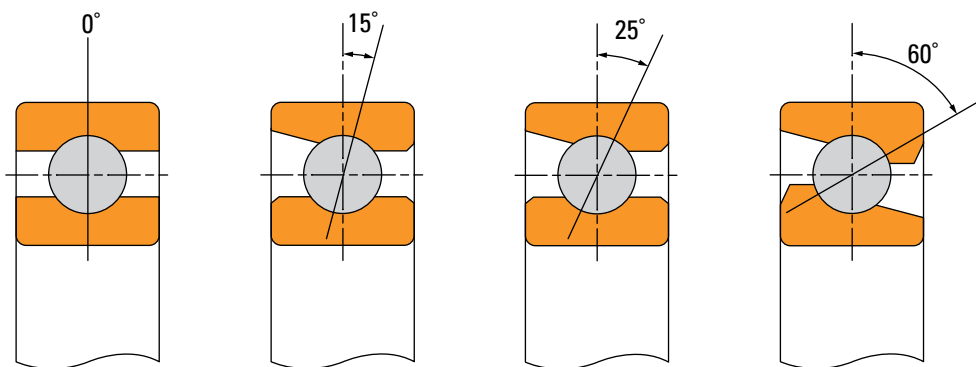


Fig 15. Examples of common machine tool ball bearing contact angles.

Spindle rotating speeds are limited by heat generated within the bearing assembly. As viewed in Figure 16, a lower contact angle minimizes heat buildup yielding lower operating temperatures at higher speeds.

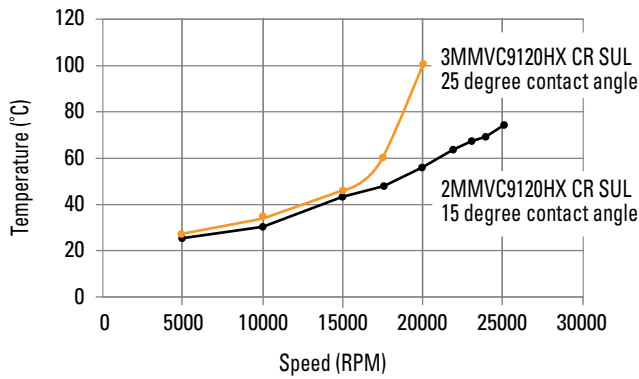


Fig 16. Effect of contact angle on temperature.

Axial deflection curves for two like-series, equal bore-sized bearings with standard preloads and contact angles are shown below.

A comparison of the curves in Figure 17 shows the 25-degree contact angle bearing to be more rigid axially under axial loads than the 15-degree contact angle bearing. Similar comparisons of the radial deflection characteristics of the same two types of angular contact ball bearings can be made from the two graphs shown in Figure 18. These curves show that decreased radial deflections result when bearings having a lower, 15-degree angle are used.

Generally, the force for the equivalent preload level for a 15-degree contact angle bearing is about one-half that of the preload level for a 25-degree contact angle bearing. Preload values for all Timken machine tool grade angular contact bearings are calculated to give optimum performance over a wide range of applications.

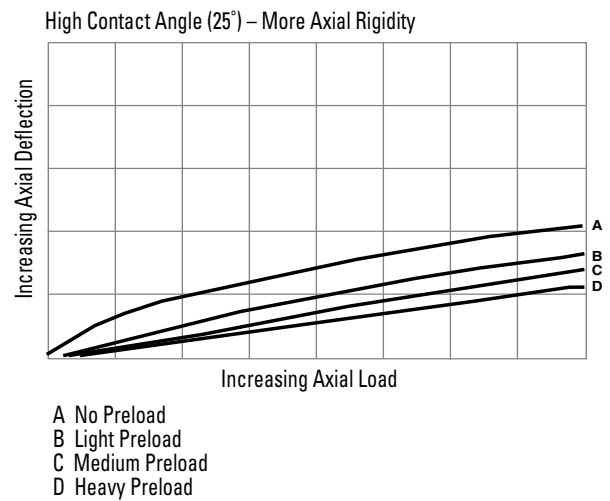
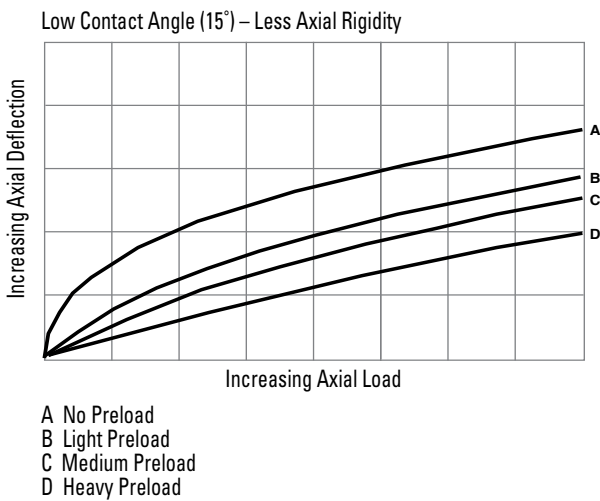


Fig. 17. Effect of contact angle on axial deflection.

A

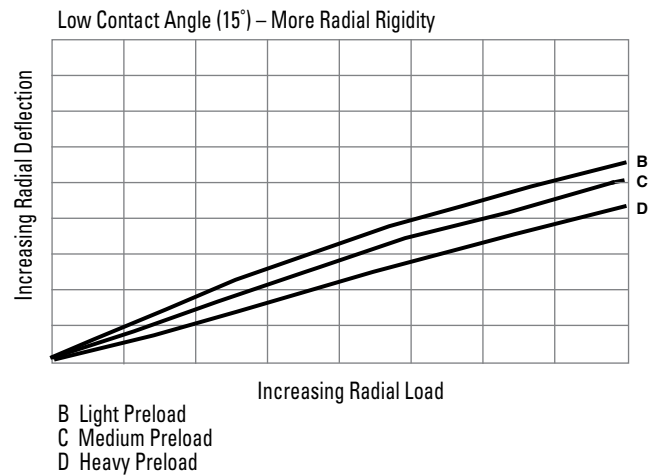
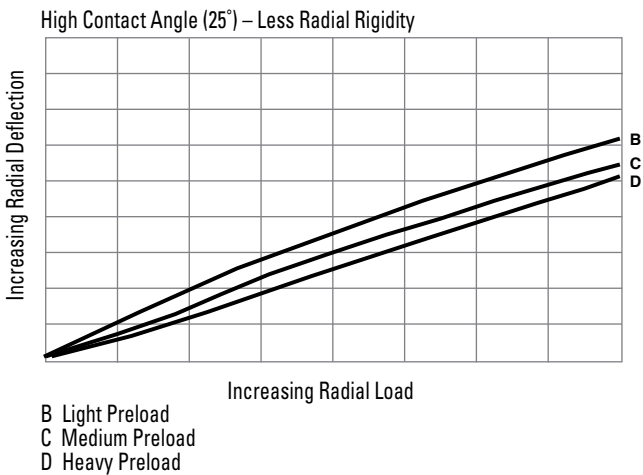


Fig. 18. Effect of contact angle on radial deflection.

Timken ball screw support bearings are designed with a 60-degree contact angle. They are used for low-speed operations and offer the highest axial stiffness in the standard super precision ball bearing machine tool line. As contact angle increases, axial stiffness increases, radial stiffness decreases, and maximum operating speed decreases.

Precision Class

Super high precision MM/MMV (P4S) bearings are manufactured with running accuracy and performance meeting ABEC 9/ISO P2 while maintaining other features at ABEC 7/ISO P4 levels for cost-effectiveness.

Ultraprecision MMX (P2) ABEC 9/ISO P2 have closer tolerances on bore and O.D. Bearings produced to these tolerances are used on ultra-high-speed grinding spindles designed for tight dimensional tolerances and superfine surface finishes.

Hybrid Ceramic

Timken has designed an advanced bearing that combines ceramic rolling elements with premium steel rings and state-of-the-art bearing technology to achieve maximum speed capability and greater stiffness. Compared with an all-steel bearing, the hybrid ceramic bearing's lower friction characteristics, even under marginal lubrication, result in less ball skidding, lower heat generation, higher speeds and greater overall system reliability.

Ceramic balls are 60 percent lighter than steel with extremely fine surface finishes equal to or less than 0.5 micro-inch Ra. This helps to reduce centrifugal forces and allows for a 20 percent higher speed factor than steel balls. Oil-lubricated ceramic hybrid bearings can operate up to three million dN, while grease-lubricated ceramic hybrids can run up to one million dN.

$$dN = \text{bore size (mm)} \times \text{speed (RPM)}$$

The ceramic material has a modulus of elasticity 50 percent greater than steel, increasing bearing rigidity. This higher stiffness may result in higher contact stress levels in the bearings. Ceramics are generally not appropriate for higher loads and/or low speeds. As seen in Figure 19, below 750,000 dN, ceramic balls experience a reduction in overall rated bearing life.

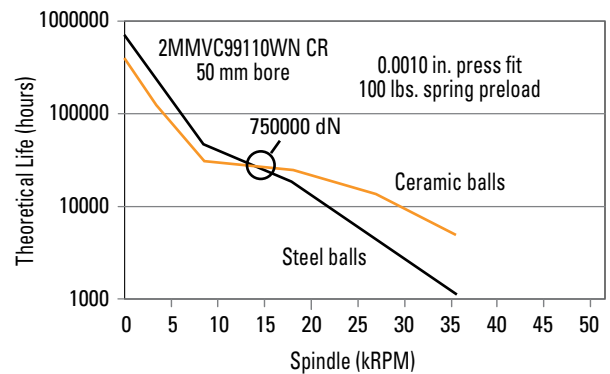


Fig. 19. L₁₀ life vs. speed comparison of steel and ceramic balls.

Size/Series

Increasing bearing size causes an increase in centrifugal forces which, as discussed earlier, reduces the speedability of the bearing. An increase in ISO cross-section series improves the ability of a bearing to carry higher loads as shown in Figure 20.

- 9300 (71900) series: ultra-light loads, high speed.
- 9100 (7000) series: extra-light loads, high speed.
- 200 (7200) series: light loads.
- 300 (7300) series: medium loads.

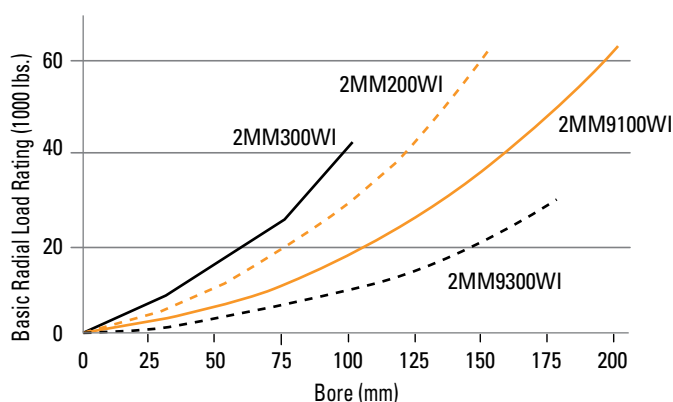


Fig 20. Angular contact ball bearing load ratings.

When stiffness is a factor of the design, this usually results in the determination of a desired spindle diameter and corresponding bearing bore size. Speedability and load capacity then determine the series selected.

Construction

WI is the standard construction for an angular contact ball bearing. The WI-type has full shoulders on both sides of the inner ring and a low shoulder on the outer ring. This simplifies bearing assembly during manufacturing.



Fig. 21. Angular contact spindle bearing types.

Timken has developed an HX bearing design to enhance two key factors contributing to metalworking throughput: spindle speed and radial stiffness. This design enables spindle heads to remove more material in less time while maintaining superior finished product tolerances by minimizing tool “wander.” This efficient

combination translates into faster turnaround of finished product. These improvements are imparted by subtle changes to ball complements and internal geometries. The Timken HX Series is dimensionally interchangeable with the 9300 and 9100 (71900 and 7000) series ball bearings.

The HX and WN-types also are designed to meet the needs of machine manufacturers who require optimum lubrication through the bearings. These designs incorporate a low shoulder on the non-thrust side of both the inner and outer rings to facilitate oil flow.

K-type, deep groove (Conrad), 0-degree radial ball bearings are generally chosen in applications where capacity and stiffness do not require a duplex set of bearings. Axial load applied to the bearing will increase the contact angle.

Cage (Retainer or Separator)

A cage’s function is to separate the rolling elements within the bearing. It first affects bearing performance by adding weight, which will increase the centrifugal forces and resulting radial load at high speeds. This limits the ability of the bearing to perform at high temperatures. Timken’s range of cage types includes:

- CR/T** Phenolic (composition) - standard
- PRL** Molded polymer cage - new
- PRC** Molded reinforced nylon - former standard
- MBR** Machined bronze
- PRJ** High-performance polymer
- SR** Silver-plated machined steel

Timken’s phenolic composition cage is standard for high-speed applications up to 93°C (200°F). For high-heat applications, machined bronze is often used. However, the increase in weight reduces the speedability of the bearing assembly.

Seals

Seals are used to exclude contaminants and retain lubricant for reliable bearing operation and extended service life. The HX bearing has an optional non-contacting seal, available as single or pair (V, VV). The WI 9100/7000 and 9300/71900 series have an optional light-drag contacting seal (P, PP). Ball screw support bearing cartridges (MMN/MMF) include integral, low-torque contact seals.

Bearing Set Quantity

Timken super precision ball bearings are available as single, duplex, triplex, and quadruplex matched sets:

- SU** (X, L, M, H) - single bearing/preload level
- DU** (X, L, M, H) - duplex pairs/preload level
- TU** (X, L, M, H) - triplex set/preload level
- QU** (X, L, M, H) - quadruplex set/preload level

Each additional bearing increases system rigidity and load-carrying capabilities. The quantity of bearings in a set is specified in the part

number as shown.

Timken super precision ball bearings are universal flush ground, which allows for DB (back-to-back), DF (face-to-face), or DT (tandem) mounting of all matched duplex sets. This does not need to be specified during order.

Preload Level

The internal condition of a preloaded ball bearing is similar to that of one in operation under axial load. This initial axial load serves to decrease markedly the axial and radial deflections when subsequent operational loads are imposed on the bearing assembly. Preload levels limit change in contact angle at very high speeds, and prevent ball skidding under very high acceleration and speed.

In many cases, the amount of bearing preload is a trade-off between having the desired degree of rigidity and reducing any adverse effect preloading has on the equipment. If the operating speed is high, a heavy preload can lead to excessively high operating temperatures, which may result in bearing damage. To match general performance requirements, four classes of ball bearing preloads are used – extra-light, light, medium and heavy. To maximize performance, Timken can design specially preloaded super precision ball bearings.

Sealed Ball Screw Support Bearings

Available in flanged (MMF) and non-flanged (MMN) series, these designs simplify installation for both standard and rotating nut mountings. The flanged version eliminates the need for external clamping of the outer ring. The standard version is the sealed duplex configuration, but both series may be ordered with seals or shields in either a duplex or quad set arrangement.

Wear/Debris-Resistant Material

Advanced bearings can resist debris wear for improved machine tool performance and service life. Timken super precision bearings with WearEver technology combine a special high-alloy steel with ceramic balls to provide superior performance and cutting quality for high-speed applications. Extended capabilities help improve machine efficiency and utilization while reducing secondary finishing operations and downtime.

This unique, wear/debris-resistant steel was specifically incorporated into the bearing design to withstand damage from hard contaminants, a primary cause for shortened bearing life. Studies have shown that bearings with this advanced material can deliver up to ten times the standard service life in the presence of hard contamination. This represents a significant advancement in high-speed machining productivity and improved product quality. Consult your Timken representative for availability.

Other

Bearings may be customized to specify lubrication type, special coding, special part marking, etc. Contact your Timken representative for more information.

2 MM C 91 04 WI CR DUL **A4437**
 (C 70 04 C - T - P4S - DUL) **FS637**

A4437 = Special coding requirement
FS637 = Kluber isoflex NBU 15 Grease

Fig. 22. Examples of non-standard specification numbers.

SPINDLE SYSTEM CHARACTERISTICS

A machine tool designer's goal is to build a precise spindle with the least possible vibration and with the optimum heat generation and dissipation characteristics. This will then produce the best surface finish, dimensional accuracy and optimum production rates.

Due to increasing cutting speeds and forces, machine tool builders are developing spindle designs to improve dynamic stiffness.

Dynamic stiffness depends upon:

- Static stiffness.
- Damping.
- Mass.

From a design standpoint, the bearing selection has little effect on mass, but static stiffness and damping can be altered by bearing and application design criteria. The natural frequency of a system can be radically altered by any change in the static stiffness. On the other hand, damping will determine the magnitude of displacement of a system in the chatter mode. Tests have shown that the damping varies with the type of rolling bearing used.

SPINDLE SYSTEM STATIC STIFFNESS

The static stiffness, or "spring rate," of a system is defined as the ratio of the amount of load to the deflection of the spindle at the point of load, and is expressed in N/mm (lbs./in.).

In conventional spindle designs, the load is usually applied at the end of the spindle nose.

In a spindle system, a few factors contribute to the total static stiffness:

- Bare spindle stiffness.
- Bearing stiffness.
- Housing stiffness.

Bare Spindle Stiffness

Figure 23 illustrates the important elements that need to be considered to determine the bare spindle stiffness:

- Diameter of the spindle.
- Overhung distance from the nose bearing to the load.
- Bearing spread.

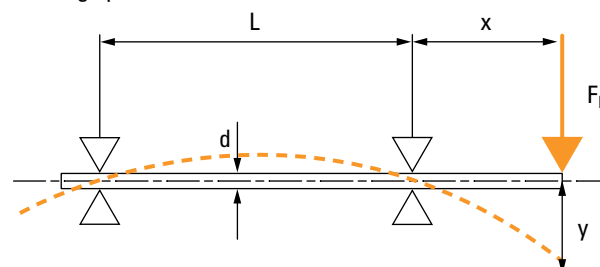


Fig. 23. Deflection of the bare spindle on two supports.

The maximum value of the spindle deflection at the point of load is:

$$y = \frac{F_r x^2 (x + L)}{3EI} \quad (\text{mm}) \quad \text{with } I = \frac{\pi \times d^4}{64} \quad (\text{mm}^4)$$

Where:

F_r	= radial load applied at spindle nose	(N)
L	= bearing spread	(mm)
x	= overhung distance	(mm)
I	= moment of inertia	(mm ⁴)
y	= deflection at point of load	(mm)
d	= diameter of spindle	(mm)
E	= modulus of elasticity	(N/mm ²)

Therefore, the static stiffness of the bare spindle at this point is

$$K = \frac{F_r}{y} = \frac{3EI}{x^2(x + L)} = \frac{3E\pi d^4}{64x^2(x + L)}$$

The previous formula shows that the diameter of a shaft is considered to the fourth power. Thus, any increase in spindle diameter will significantly increase stiffness. From a design standpoint, this means that the selected bearings should have as large a bore diameter as practical for a given outside diameter (Figure 24).

A

The overhung distance from the nose bearing to the applied loads is generally fixed by design constraints (or load cycles). However, the stiffness of the bare spindle can be increased by determining the optimum spread between the two supports. For a given overhung distance "x," the bearing spread has an optimum value for minimum deflection at the cutting point (Figure 25).

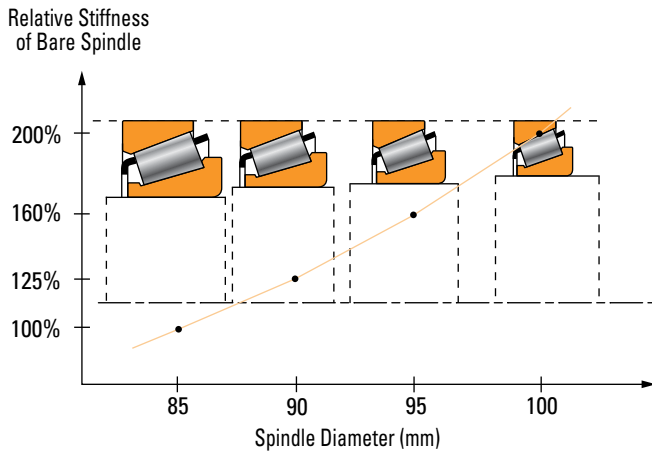


Fig. 24. Influence of spindle diameter on its stiffness for different tapered roller bearings sections within same envelope (85 mm bore taken as reference).

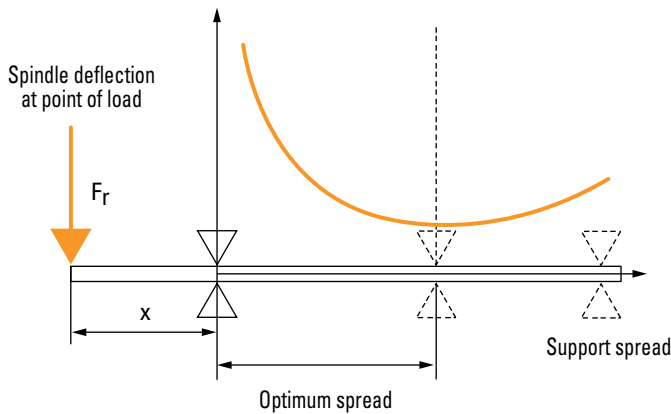


Fig. 25. Influence of spread on bare spindle deflection at point of load.

Bearing Stiffness

Stiffness is significant in precision machining applications. This impacts machine repeatability and running accuracy. Bearing stiffness is determined by movement or microscopic deflection under load within the bearing assembly.

Because of the contribution of bearing stiffness to the global system, it is of prime importance to consider the effect of the selection of the bearing and its geometrical characteristics. A tapered roller bearing is a line contact bearing with a high number of rolling elements. Compared to other popular bearings in spindle applications, such as angular contact ball bearings (point contact) or cylindrical roller bearings (line contact), the preloaded tapered roller bearing (line contact) has a significantly higher radial stiffness in the same given envelope.

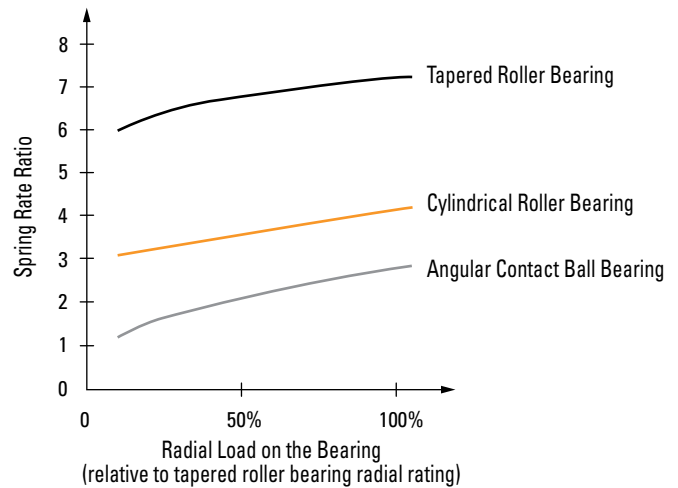


Fig. 26. Radial spring rate comparison between popular machine tool bearings of a comparable size under zero internal clearance.

Comparisons (Figure 26) show that a tapered roller bearing has as much as six times more radial stiffness than a comparable size angular contact ball bearing, and twice as much as a comparable size cylindrical roller bearing, for a zero clearance condition. Therefore, for most spindle applications only two tapered roller bearings are required, which can result in a more economical solution.

Housing Stiffness

Experience and basic calculations show that good axial and radial housing stiffness are required to support the loads that are transmitted through the bearings. In most machine tool designs, the housing is normally adequate. However, when light sections or nonferrous housings are used, the axial and radial housing stiffness should be verified.

SPINDLE SYSTEM DYNAMIC STIFFNESS

Dynamic stiffness is influenced to a large degree by the damping characteristics and the static stiffness of the system.

Figure 27 demonstrates that bearing setting plays a major role in the static stiffness of a spindle-bearing-housing system. As the preload is increased, the static stiffness increases.

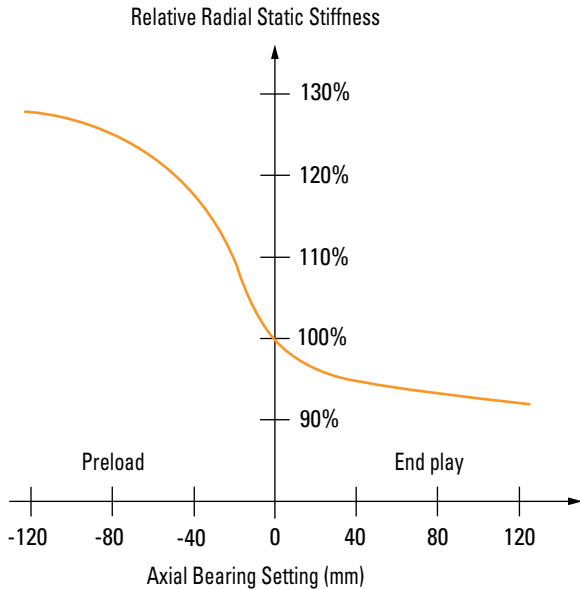


Fig. 27. Effect of bearing setting on spindle system static stiffness.

A load that would cause very little static deflection can cause very high dynamic deflections if the frequency of the dynamic load is the same as the natural frequency of the spindle. To control the dynamic stiffness, the damping characteristics of the system are very important.

Damping can be visualized as resistance to vibration. It can be seen in Figure 28 that the damping ratio of a spindle system is higher when bearings are preloaded. The optimum value is, however, obtained around the zero clearance condition.

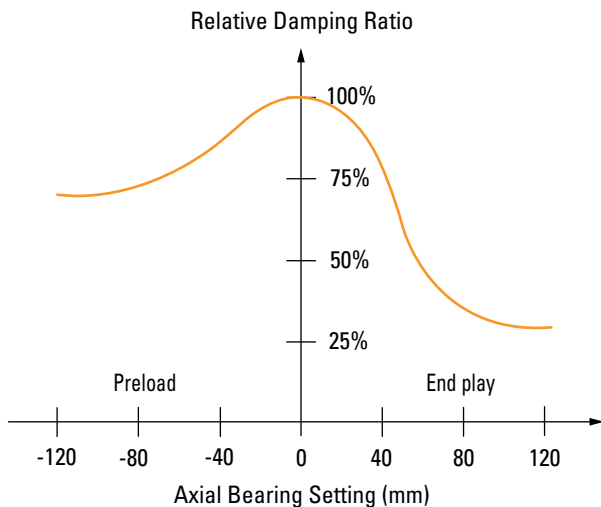


Fig. 28. Effect of bearing setting on spindle system damping ratio.

Finally, the resulting dynamic stiffness characteristics of a spindle system are directly affected by the bearing setting. The curve plotted in Figure 29 shows an optimum setting slightly in the preload region. This gives the least compliance, or maximum dynamic stiffness, of a spindle system since the damping decreases as preload increases. As previously explained, any preload increase beyond the optimum setting will reduce the dynamic spindle characteristics.

Extensive research by Timken has resulted in a better knowledge of machine tool spindle behavior. It was identified that higher accuracy and improved surface finish can be achieved at an optimum preload setting (Figure 30).

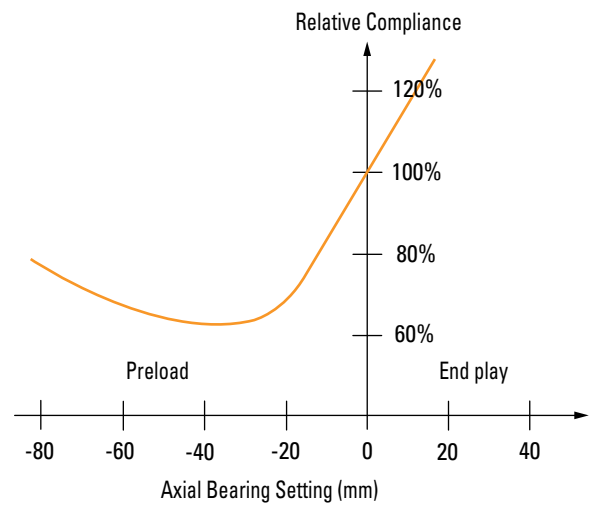


Fig. 29. Effect of bearing setting on spindle system dynamic stiffness.

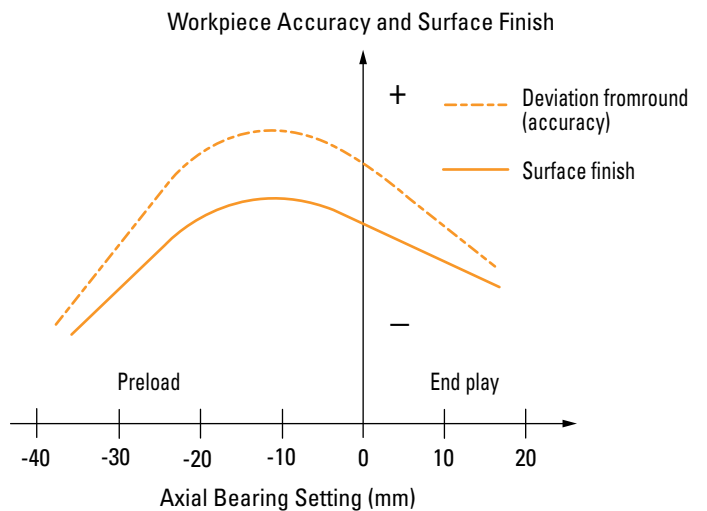


Fig. 30. Effect of bearing setting on surface finish and accuracy of the workpieces.

A

The unique design of a tapered roller bearing with its line contact produces a damping characteristic that is not necessarily inherent to other bearing designs (Figure 31). This is due to the bending mode of the spindle and bearing centerline caused by dynamic deflection which is resisted inside the bearing through a shearing action of the viscous lubricant between the rollers and the cup and cone races. It is the combination of the tapered roller bearing construction and proper bearing setting that results in improved damping characteristics.

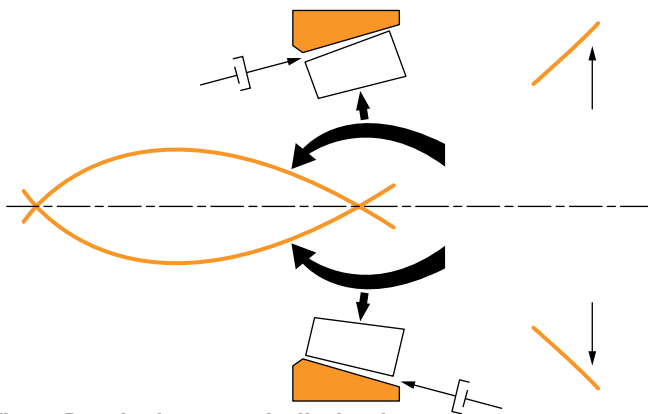


Fig. 31. Damping in a tapered roller bearing.

An extension of this insight culminated in the development of a bearing system called the Hydra-Rib. It is, specifically designed to provide the optimum bearing preload and thus the ultimate dynamic stability for the spindle system under any operating conditions.

Proper selection of the preload for a given application must not focus only on stiffness and damping characteristics. Also, the lubrication method, operating speeds and loads must be reviewed to determine the optimum setting/preload to maximize performance. Consult the appropriate topic in this engineering section for more details.

OTHER FACTORS AFFECTING BEARING SELECTION

Some additional controllable factors having a significant impact on bearing performance include mounting fits, internal clearances, lubricant type and integrity. For example, when using radial ball bearings, appropriate internal clearance is needed to ensure proper operation.

THERMAL EXPANSION

Issues such as axial displacement must be addressed where shaft length differentials must be tolerated when thermal expansion occurs. For these situations, the rotating component supports include a fixed (locating) and floating (non-locating) bearing arrangement.

The fixed bearing is subject to combination loads and is usually placed nearest the working end of the shaft to minimize motion and thereby maintain workpiece accuracy. Installation considerations for the typical fixed bearing positions should note the fitting suggestions listed in this catalog. These are compiled from a wealth of experience in a wide range of operating conditions.

Where floating bearings are necessary, the design must allow for axial displacement of the shaft. This can be accomplished by allowing the bearing to “slide” laterally along the shaft or housing respectively. A looser fit during the machining of the shaft or housing cavity is required. This not only alleviates the axial stresses on this end of the assembly, but will also facilitate bearing and shaft installation.

MISALIGNMENT

When the size of the machine increases, so do concerns about alignment. Shaft bending or additional loading can impart moment loads that need to be considered. Bearing selection must further consider installation practices with distant machined bearing housing cavities. Manufacturing limitations to position housing bores might encourage the choice of a self-aligning bearing mounting (DF, face-to-face).

This can help compensate for machining variations and assist in managing dynamic forces by featuring a spherical outside diameter or thrust face.

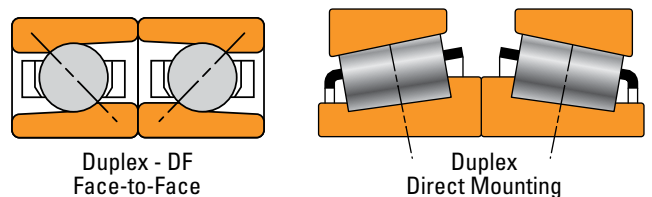


Fig. 32. Self-aligning bearing mountings.

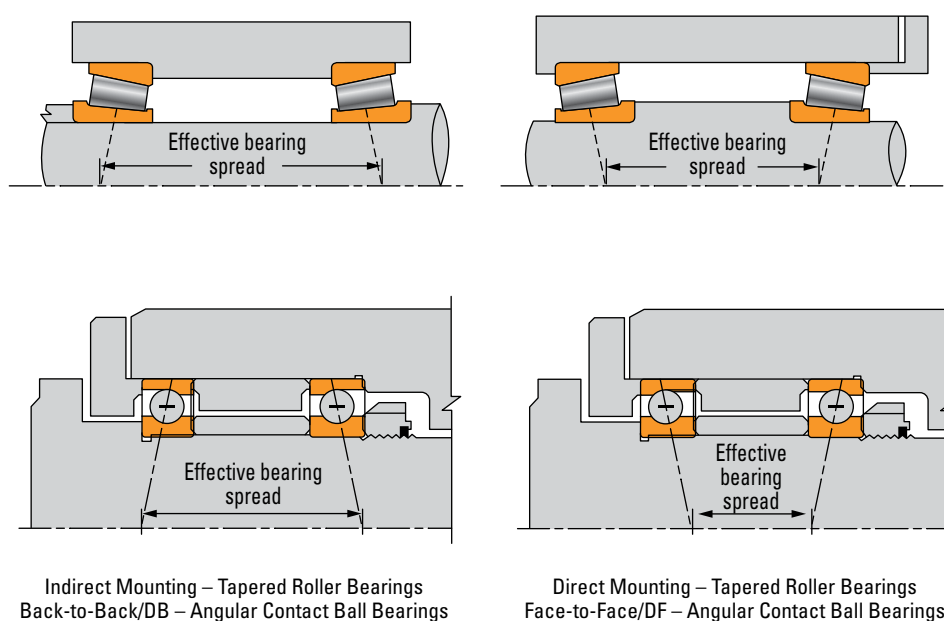


Fig. 33. Choice of mounting configuration for single-row bearings, showing position of effective load-carrying centers.

EFFECTIVE SPREAD

When a load is applied to a tapered roller or angular contact ball bearing, the internal forces at each rolling element-to-outer raceway contact act normal to the raceway. These forces have radial and axial components. With the exception of the special case of pure axial loads, the inner ring and the shaft will experience moments imposed by the asymmetrical axial components of the forces on the rolling elements.

It can be demonstrated mathematically that, if the shaft is modeled as being supported at its effective bearing center rather than at its geometric bearing center, the bearing moment may be ignored when calculating radial loads on the bearing. Only externally applied loads

need to be considered, and moments are taken about the effective centers of the bearings to determine loads or reactions. Figure 33 shows single-row bearings in a direct and indirect mounting configuration. The choice of whether to use direct or indirect mounting depends upon the application.

With so many factors to consider for the successful operation of any device incorporating rolling bearings, Timken brings to its customers more than a century of talent and experience to assist with these choices. Though the content in this catalog is an excellent start in the rolling bearing selection process, it should not be considered the final word. Timken bearing expertise is only a phone call away.

DETERMINATION OF APPLIED LOADS AND BEARING ANALYSIS

This key is not intended to be comprehensive, but serves as a useful reference for symbols found in this catalog.

SUMMARY OF SYMBOLS USED IN THIS CATALOG

Symbol	Description	Units	Symbol	Description	Units
a ₁	Reliability Life Factor		K	Tapered Roller Bearing Radial-to-Axial Dynamic Load Rating Factor	
a ₂	Material Life Factor		K _T	Relative Axial Load Factor (Ball Bearings)	
a ₃	Operating Condition Life Factor		L _H	Lead Axial Advance of a Helix for One Complete Revolution	mm, in.
a _{3d}	Debris Life Factor		L	Distance Between Bearing Geometric Center Lines	mm, in.
a _{3h}	Hardness Life Factor		m	Gearing Ratio	
a _{3k}	Load Zone Life Factor		M	Bearing Operating Torque or Moment	N-m, N-mm, lbf-in.
a _{3l}	Lubrication Life Factor		n	Bearing Operating Speed or General Term for Speed	rot/min, RPM
a _{3m}	Misalignment Life Factor		n _G	Gear Operating Speed (RPM)	rot/min, RPM
a _{3p}	Low Load Life Factor		n _P	Pinion Operating Speed (RPM)	rot/min, RPM
a _e	Effective Bearing Spread	mm, in.	n _w	Worm Operating Speed (RPM)	rot/min, RPM
b	Tooth Length	mm, in.	N _G	Number of Teeth in the Gear	
c _{1, c2}	Linear Distance (positive or negative)	mm, in.	N _P	Number of Teeth in the Pinion	
C	Dynamic Radial Load Rating	N, lbf	N _S	Number of Teeth in the Sprocket	
C ₀	Static Load Rating	N, lbf	P _a	Dynamic Equivalent Axial Load	N, lbf
C ₉₀	Single-Row Basic Dynamic Load Rating	N, lbf	P ₀	Static Equivalent Load	N, lbf
C _e	Extended Dynamic Capacity	N, lbf	P _{0a}	Static Equivalent Axial Load	N, lbf
C _p	Specific Heat of Lubricant	J/(kg °C), BTU/(lb x °F)	P _{0r}	Static Equivalent Radial Load	N, lbf
d	Bearing Bore Diameter	mm, in.	P _r	Dynamic Equivalent Radial Load	N, lbf
d _c	Distance Between Gear Centers	mm, in.	Q	Generated Heat or Heat Dissipation Rate	W, BTU/min
d _m	Mean Bearing Diameter	mm, in.	r	Radius	
dN	Bore in mm • RPM		R	Percent Reliability Used in the Calculation of the a ₁ Factor	
D	Bearing Outside Diameter	mm, in.	T	Torque	N-m, lbf-in.
D _m	Mean Diameter or Effective Working Diameter of a Sprocket, Pulley, Wheel or Tire Also, Tapered Roller Bearing Mean Large Rib Diameter	mm, in.	v	Vertical (used as subscript)	
D _{mG}	Mean or Effective Working Diameter of the Gear	mm, in.	V	Linear Velocity or Speed	km/h, mph
D _{mP}	Effective Working Diameter of the Pinion	mm, in.	V _r	Rubbing, Surface or Tapered Roller Bearing Rib Velocity	m/s, fpm
D _{mW}	Effective Working Diameter of the Worm	mm, in.	X	Dynamic Radial Load Factor	
D _{pG}	Pitch Diameter of the Gear	mm, in.	Y	Dynamic Axial Load Factor	
D _{pP}	Pitch Diameter of the Pinion	mm, in.	Y _{1, Y2, Y3}	Axial Load Factors	
D _{pW}	Pitch Diameter of the Worm	mm, in.	Y _G	Bevel Gearing – Gear Pitch Angle	deg.
e	Life Exponent			Hypoid Gearing – Gear Root Angle	deg.
f	Lubricant Flow Rate	L/min, U.S. pt/min	Y _P	Bevel Gearing – Pinion Pitch Angle	deg.
f _B	Belt or Chain Pull Factor			Hypoid Gearing – Pinion Face Angle	deg.
F	General Term for Force	N, lbf	α	Half Included Cup Angle	deg.
F _a	Applied Axial Load	N, lbf	A, B...	Bearing Position (used as a subscript)	cSt
F _{ae}	External Axial Load	N, lbf	η	Efficiency, Decimal Fraction	
F _{aG}	Axial Force on Gear	N, lbf	θ _{ambt}	Ambient Temperature	°C, °F
F _{aP}	Axial Force on Pinion	N, lbf	θ _{1, θ2, θ3}	Gear Mesh Angles Relative to the Reference Plane	deg.
F _{aW}	Axial Force on Worm	N, lbf	θ _{i, θo}	Oil Inlet or Outlet Temperature	°C, °F
F _c	Centrifugal Force	N, lbf	λ	Worm Gear Lead Angle	deg.
F _r	Applied Radial Load	N, lbf	μ	Coefficient of Friction	
F _{sG}	Separating Force on Gear	N, lbf	v	Lubricant Kinematic Viscosity	cSt
F _{sP}	Separating Force on Pinion	N, lbf	σ ₀	Approximate Maximum Contact Stress	MPa, psi
F _{sW}	Separating Force on Worm	N, lbf	Φ	Normal Tooth Pressure for the Worm (Gearing)	deg.
F _{tG}	Tangential Force on Gear	N, lbf	Φ _G	Normal Tooth Pressure Angle for the Gear	deg.
F _{tP}	Tangential Force on Pinion	N, lbf	Φ _P	Normal Tooth Pressure Angle for the Pinion	deg.
F _{tW}	Tangential Force on Worm	N, lbf	ψ _G	Helix (Helical) or Spiral Angle for the Gear	deg.
F _w	Force of Unbalance	N, lbf	ψ _P	Helix (Helical) or Spiral Angle for the Pinion	deg.
F _{φP}	Axial Force on Pinion	N, lbf	ρ	Lubricant Density	kg/m ³ , lb/ft ³
H	Power	kW, HP	1, 2, ...n	Conditions (used as subscript)	
HF _s	Static Load Rating Adjustment Factor for Raceway Hardness				
k	Centrifugal Force Constant	lbf/RPM ²			
k ₁	Bearing Torque Constant	N-m, lbf-in.			
k _{4, k5, k6}	Dimensional Factor to Calculate Heat Generation				

The following equations are used to determine the forces developed by machine elements commonly encountered in bearing applications.

Spur Gearing

Tangential force

$$F_{tG} = \frac{(1.91 \times 10^7) H}{D_{pG} n_G} \quad (\text{newtons})$$

$$= \frac{(1.26 \times 10^5) H}{D_{pG} n_G} \quad (\text{pounds-force})$$

Separating force

$$F_{sG} = F_{tG} \tan \phi_G$$

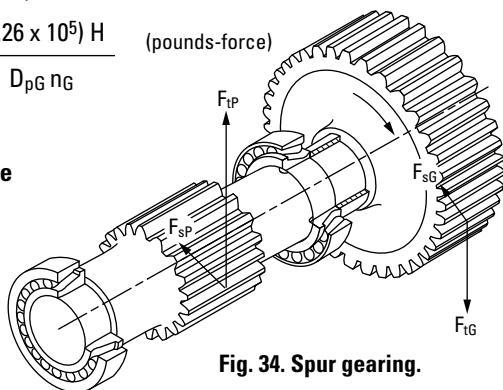


Fig. 34. Spur gearing.

Single Helical Gearing

Tangential force

$$F_{tG} = \frac{(1.91 \times 10^7) H}{D_{pG} n_G} \quad (\text{newtons})$$

$$= \frac{(1.26 \times 10^5) H}{D_{pG} n_G} \quad (\text{pounds-force})$$

Thrust force

$$F_{aG} = F_{tG} \tan \psi_G$$

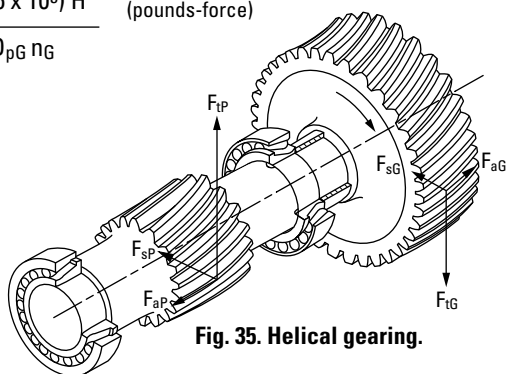


Fig. 35. Helical gearing.

Separating force

$$F_{sG} = \frac{F_{tG} \tan \phi_G}{\cos \psi_G}$$

Straight Bevel and Zerol Gearing with Zero Degrees Spiral

In straight bevel and zerol gearing, the gear forces tend to push the pinion and gear out of mesh, such that the direction of the thrust and separating forces is always the same regardless of direction of rotation (Figure 36). In calculating the tangential force (F_{tP} or F_{tG}) for bevel gearing, the pinion or gear mean diameter (D_{mP} or D_{mG}) is used instead of the pitch diameter (D_{pP} or D_{pG}). The mean diameter is calculated as follows:

$$D_{mG} = D_{pG} - b_{\sin} \gamma_G \quad \text{or} \quad D_{mP} = D_{pP} - b_{\sin} \gamma_P$$

In straight bevel and zerol gearing:

$$F_{tP} = F_{tG}$$

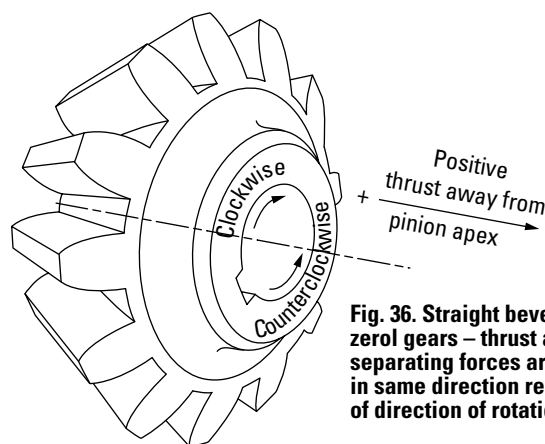


Fig. 36. Straight bevel and zerol gears – thrust and separating forces are always in same direction regardless of direction of rotation.

Pinion

Tangential force

$$F_{tP} = \frac{(1.91 \times 10^7) H}{D_{mP} n_P} \quad (\text{newtons})$$

$$= \frac{(1.26 \times 10^5) H}{D_{mP} n_P} \quad (\text{pounds-force})$$

Thrust force

$$F_{aP} = F_{tP} \tan \phi_P \sin \gamma_P$$

Separating force

$$F_{sP} = F_{tP} \tan \phi_P \cos \gamma_P$$

Straight Bevel Gear

Tangential force

$$F_{tG} = \frac{(1.91 \times 10^7) H}{D_{mG} n_G} \quad (\text{newtons})$$

$$= \frac{(1.26 \times 10^5) H}{D_{mG} n_G} \quad (\text{pounds-force})$$

Thrust force

$$F_{aG} = F_{tG} \tan \phi_G \sin \gamma_G$$

Separating force

$$F_{sG} = F_{tG} \tan \phi_G \cos \gamma_G$$

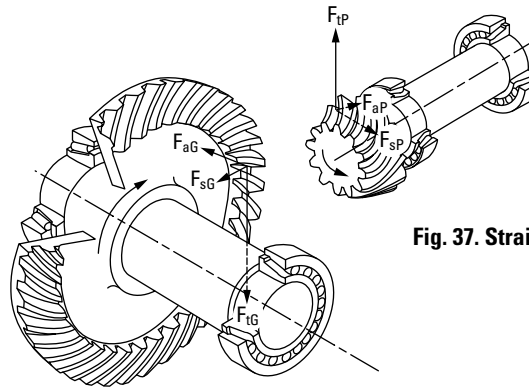


Fig. 37. Straight bevel gearing.

Spiral Bevel and Hypoid Gearing

In spiral bevel and hypoid gearing, the direction of the thrust and separating forces depends upon spiral angle, hand of spiral, direction of rotation, and whether the gear is driving or driven (see table 4). The hand of the spiral is determined by noting whether the tooth curvature on the near face of the gear (Figure 38) inclines to the left or right from the shaft axis. Direction of rotation is determined by viewing toward the gear or pinion apex.

In spiral bevel gearing:

$$F_{tP} = F_{tG}$$

In hypoid gearing:

$$F_{tP} = \frac{F_{tG} \cos \psi_P}{\cos \psi_G}$$

Hypoid pinion effective working diameter:

$$D_{mP} = D_{mG} \left(\frac{N_p}{N_G} \right) \left(\frac{\cos \psi_G}{\cos \psi_P} \right)$$

Tangential force

$$F_{tG} = \frac{(1.91 \times 10^7) H}{D_{mG} n_G} \quad (\text{newtons})$$

$$= \frac{(1.26 \times 10^5) H}{D_{mG} n_G} \quad (\text{pounds-force})$$

Hypoid gear effective working diameter:

$$D_{mG} = D_{pG} - b \sin \gamma_G$$

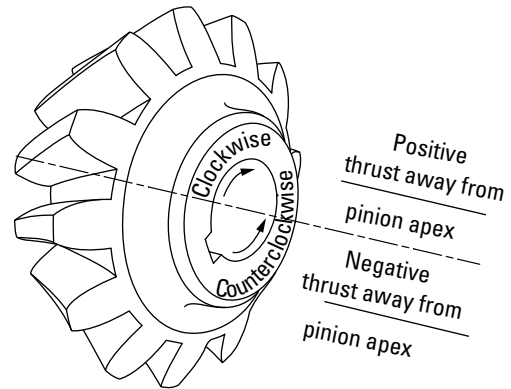


Fig. 38. Spiral bevel and hypoid gears – the direction of thrust and separating forces depends upon spiral angle, hand of spiral, direction of rotation, and whether the gear is driving or driven.

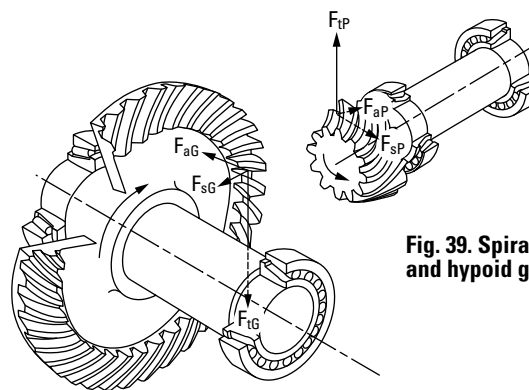


Fig. 39. Spiral bevel and hypoid gearing.

Driving member rotation	Thrust force	Separating force
Right hand spiral clockwise or Left hand spiral counterclockwise	Driving member $F_{aP} = \frac{F_{tP}}{\cos \psi_P} (\tan \phi_P \sin \gamma_P - \sin \psi_P \cos \gamma_P)$	Driving member $F_{sP} = \frac{F_{tP}}{\cos \psi_P} (\tan \phi_P \cos \gamma_P + \sin \psi_P \sin \gamma_P)$
	Driven member $F_{aG} = \frac{F_{tG}}{\cos \psi_G} (\tan \phi_G \sin \gamma_G + \sin \psi_G \cos \gamma_G)$	Driven member $F_{sG} = \frac{F_{tG}}{\cos \psi_G} (\tan \phi_G \cos \gamma_G - \sin \psi_G \sin \gamma_G)$
Right hand spiral counterclockwise or Left hand spiral clockwise	Driving member $F_{aP} = \frac{F_{tP}}{\cos \psi_P} (\tan \phi_P \sin \gamma_P + \sin \psi_P \cos \gamma_P)$	Driving member $F_{sP} = \frac{F_{tP}}{\cos \psi_P} (\tan \phi_P \cos \gamma_P - \sin \psi_P \sin \gamma_P)$
	Driven member $F_{aG} = \frac{F_{tG}}{\cos \psi_G} (\tan \phi_G \sin \gamma_G - \sin \psi_G \cos \gamma_G)$	Driven member $F_{sG} = \frac{F_{tG}}{\cos \psi_G} (\tan \phi_G \cos \gamma_G + \sin \psi_G \sin \gamma_G)$

Table 4. Spiral bevel and hypoid bearing equations.

Straight Worm Gearing

Worm

Tangential force

$$F_{tW} = \frac{(1.91 \times 10^7) H}{D_{pW} n_W} \quad (\text{newtons})$$

$$= \frac{(1.26 \times 10^5) H}{D_{pW} n_W} \quad (\text{pounds-force})$$

Thrust force

$$F_{aW} = \frac{(1.91 \times 10^7) H \eta}{D_{pG} n_G} \quad (\text{newtons})$$

$$= \frac{(1.26 \times 10^5) H \eta}{D_{pG} n_G} \quad (\text{pounds-force})$$

or

$$F_{aW} = \frac{F_{tW} \eta}{\tan \lambda}$$

Separating force

$$F_{sW} = \frac{F_{tW} \sin \phi}{\cos \phi \sin \lambda + \mu \cos \lambda}$$

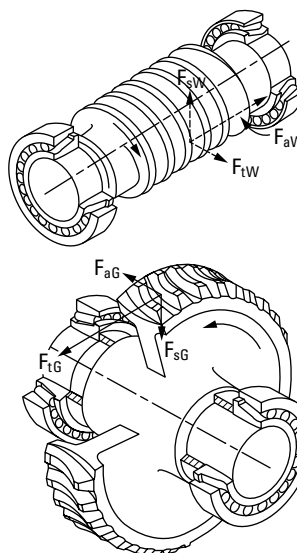


Fig. 40. Straight worm gearing.

Worm Gear

Tangential force

$$F_{tG} = \frac{(1.91 \times 10^7) H \eta}{D_{pG} n_G} \quad (\text{newtons})$$

$$= \frac{(1.26 \times 10^5) H \eta}{D_{pG} n_G} \quad (\text{pounds-force})$$

or

$$F_{tG} = \frac{F_{tW} \eta}{\tan \lambda}$$

Thrust force

$$F_{aG} = \frac{(1.91 \times 10^7) H}{D_{pW} n_W} \quad (\text{newtons})$$

$$= \frac{(1.26 \times 10^5) H}{D_{pW} n_W} \quad (\text{pounds-force})$$

Separating force

$$F_{sG} = \frac{F_{tW} \sin \Phi}{\cos \Phi \sin \lambda + \mu \cos \lambda}$$

Where:

$$\lambda = \tan^{-1} \left(\frac{D_{pG}}{m D_{pW}} \right)$$

or

$$\lambda = \tan^{-1} \left(\frac{L_H}{\pi D_{pW}} \right)$$

and

$$\eta = \frac{\cos \Phi - \mu \tan \lambda}{\cos \Phi + \mu \cot \lambda}$$

Metric system

$$\mu^{(1)} = (5.34 \times 10^{-7}) V_r^3 + \frac{0.146}{V_r^{0.09}} - 0.103$$

$$V_r = \frac{D_{pW} n_W}{(1.91 \times 10^4) \cos \lambda} \quad (\text{meters per second})$$

Inch system

$$\mu^{(1)} = (7 \times 10^{-14}) V_r^3 + \frac{0.235}{V_r^{0.09}} - 0.103$$

$$V_r = \frac{D_{pW} n_W}{3.82 \cos \lambda} \quad (\text{feet per minute})$$

⁽¹⁾ Approximate coefficient of friction for the 0.015 to 15 m/s (3 to 3000 ft/min) rubbing velocity range.

Double Enveloping Worm Gearing

Worm

Tangential force

$$F_{tW} = \frac{(1.91 \times 10^7) H}{D_{mW} n_W} \quad (\text{newtons})$$

$$= \frac{(1.26 \times 10^5) H}{D_{mW} n_W} \quad (\text{pounds-force})$$

Thrust force

$$F_{aW} = 0.98 F_{tG}$$

Use this value for F_{tG} for bearing loading calculations on worm gear shaft. For torque calculations, use the following F_{tG} equations.

Separating force

$$F_{sW} = \frac{0.98 F_{tG} \tan \Phi}{\cos \lambda}$$

Worm Gear

Tangential force

$$F_{tG} = \frac{(1.91 \times 10^7) H m \eta}{D_{pG} n_W} \quad (\text{newtons})$$

$$= \frac{(1.26 \times 10^5) H m \eta}{D_{pG} n_W} \quad (\text{pounds-force})$$

or

$$F_{tG} = \frac{(1.91 \times 10^7) H \eta}{D_{pG} n_G} \quad (\text{newtons})$$

$$= \frac{(1.26 \times 10^5) H \eta}{D_{pG} n_G} \quad (\text{pounds-force})$$

Use this value for calculating torque in subsequent gears and shafts. For bearing loading calculations, use the equation for F_{aW} .

Thrust force

$$F_{aG} = \frac{(1.91 \times 10^7) H}{D_{mW} n_W} \quad (\text{newtons})$$

$$= \frac{(1.26 \times 10^5) H}{D_{mW} n_W} \quad (\text{pounds-force})$$

Separating force

$$F_{sG} = \frac{0.98 F_{tG} \tan \Phi}{\cos \lambda}$$

Where:

η = efficiency (refer to manufacturer's catalog)

$$D_{mW} = 2d_c - 0.98 D_{pG}$$

Lead angle at center of worm:

$$\lambda = \tan^{-1} \left(\frac{D_{pG}}{m D_{pW}} \right) = \tan^{-1} \left(\frac{L}{\pi D_{pW}} \right)$$



Belt and Chain Drive Factors

Due to the variations of belt tightness as set by various operators, an exact equation relating total belt pull to tension F_1 on the tight side and tension F_2 on the slack side (Figure 41) is difficult to establish. The following equation and Table 5 may be used to estimate the total pull from various types of belt and pulley, and chain and sprocket designs:

$$F_b = \frac{(1.91 \times 10^7) H f_B}{D_m n} \quad (\text{newtons})$$

$$= \frac{(1.26 \times 10^5) H f_B}{D_m n} \quad (\text{pounds-force})$$

Standard roller chain sprocket mean diameter.

$$D_m = \frac{P}{\sin\left(\frac{180}{N_s}\right)}$$

Where:

P = chain pitch

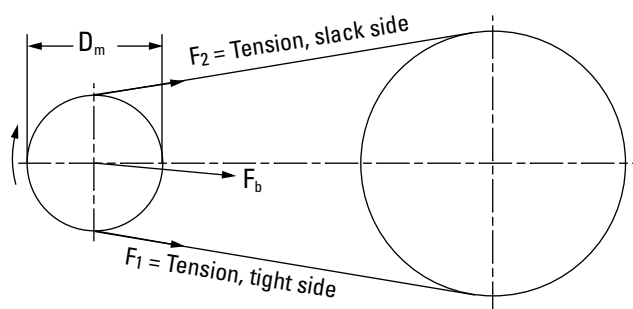


Fig. 41. Belt or chain drive.

Type	f_B
Chains, single	1.00
Chains, double	1.25
"V" belts.....	1.50

Table 5. Belt or chain pull factor based on 180 degrees angle of wrap.

Shaft on Two Supports

Simple beam equations are used to translate the externally applied forces on a shaft into bearing reactions acting at the bearing effective centers.

With two-row tapered roller and angular contact ball bearings, the geometric center of the bearing is considered to be the support point except where the thrust force is large enough to unload one row. Then the effective center of the loaded row is used as the point from which bearing load reactions are calculated. These approaches approximate the load distribution within a two-row bearing, assuming rigid shaft and housing. These are statically indeterminate problems in which shaft and support rigidity can significantly influence bearing loading and require the use of computer programs to solve.

Shaft on Three or More Supports

The equations of static equilibrium are insufficient to solve bearing reactions on a shaft having more than two supports. Such cases can be solved using computer programs if adequate information is available.

In such problems, the deflections of the shaft, bearings and housings affect the distribution of loads. Any variance in these parameters can significantly affect bearing reactions.

Bearing radial loads are determined by:

- Resolving forces applied to the shaft into horizontal and vertical components, relative to a convenient reference plane.
- Taking moments about the opposite support.
- Combining the horizontal and vertical reactions at each support into one resultant load.

Shown (on the next page) are equations for the case of a shaft on two supports with gear forces F_t (tangential), F_s (separating), and F_a (thrust), an external radial load F , and an external moment M . The loads are applied at arbitrary angles (θ_1 , θ_2 , and θ_3) relative to the reference plane indicated in Figure 42. Using the principle of superposition, the equations for vertical and horizontal reactions (F_{rv} and F_{rh}) can be expanded to include any number of gears, external forces or moments. Use signs as determined from gear force equation.

Care should be used when doing this to ensure proper supporting degrees of freedom are used. That is, tapered roller bearings and ball bearings support radial loads, moment loads and axial loads in both directions.

BEARING REACTIONS

Calculation equations		
Symbols used		
a_e	Effective bearing spread	mm, in.
A, B, ...	Bearing position, used as subscripts	
c_1, c_2, \dots	Linear distance (positive or negative)	mm, in.
D_{pG}	Pitch diameter of the gear	mm, in.
F	Applied force	N, lbf
F_r	Radial bearing load	N, lbf
h	Horizontal (used as subscript)	
M	Moment	N-mm, lbf-in.
v	Vertical (used as subscript)	
θ_1	Gear mesh angle relative to plane of reference defined in the figure below	deg, rad
θ_2	Angle of applied force relative to plane of reference defined in the figure below	deg, rad
θ_3	Angle of applied moment relative to plane of reference defined in the figure below	deg, rad

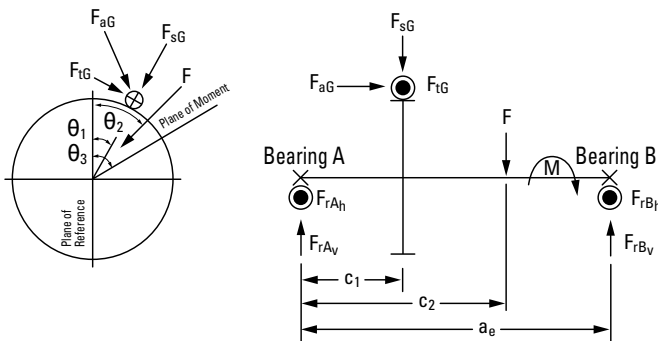


Fig. 42. Bearing radial reactions.

Vertical reaction component at bearing position B:

$$F_{rBv} = \frac{1}{a_e} \left(c_1 (F_{sG} \cos \theta_1 + F_{tG} \sin \theta_1) + \frac{1}{2} (D_{pG} - b \sin \gamma_G) F_{aG} \cos \theta_1 + c_2 F \cos \theta_2 + M \cos \theta_3 \right)$$

Horizontal reaction component at bearing position B:

$$F_{rBh} = \frac{1}{a_e} \left(c_1 (F_{sG} \sin \theta_1 - F_{tG} \cos \theta_1) + \frac{1}{2} (D_{pG} - b \sin \gamma_G) F_{aG} \sin \theta_1 + c_2 F \sin \theta_2 + M \sin \theta_3 \right)$$

Vertical reaction component at bearing position A:

$$F_{rAv} = F_{sG} \cos \theta_1 + F_{tG} \sin \theta_1 + F \cos \theta_2 - F_{rBv}$$

Horizontal reaction component at bearing position A:

$$F_{rAh} = F_{sG} \sin \theta_1 - F_{tG} \cos \theta_1 + F \sin \theta_2 - F_{rBh}$$

Resultant radial reaction: $F_{rA} = [(F_{rAv})^2 + (F_{rAh})^2]^{1/2}$ $F_{rB} = [(F_{rBv})^2 + (F_{rBh})^2]^{1/2}$

Resultant axial reaction: $F_{aA} = F_{aG}$ (fixed position) $F_{aB} = 0$ (float position)

Centrifugal force

Centrifugal force resulting from imbalance in a rotating member:

$$F_c = \frac{F_w r n^2}{8.94 \times 10^5} \quad (\text{newtons})$$

$$= \frac{F_w r n^2}{3.52 \times 10^4} \quad (\text{pounds-force})$$

Shock loads

It is difficult to determine the exact effect that shock loading has on bearing life. The magnitude of the shock load depends on the masses of the colliding bodies, their velocities, and deformations at impact.

The effect on the bearing depends on how much of the shock is absorbed between the point of impact and the bearings, as well as whether the shock load is great enough to cause bearing damage. It also is dependent on frequency and duration of shock loads.

At a minimum, a suddenly applied load is equivalent to twice its static value. It may be considerably more than this, depending on the velocity of impact.

Shock involves a number of variables that generally are not known or easily determined. Therefore, it is good practice to rely on experience. The Timken Company has years of experience with many types of equipment under the most severe loading conditions. Your Timken representative should be consulted on any application involving unusual loading or service requirements.

LOAD RATINGS

The basic dynamic load rating and the static load rating are commonly used for bearing selection. The basic dynamic load rating is used to estimate life of a rotating bearing. Static load ratings are used to determine the maximum permissible load that can be applied to a non-rotating bearing.

The basic philosophy of The Timken Company is to provide the most realistic bearing rating to assist our customers in the bearing selection process. Published ratings for Timken bearings include the basic dynamic radial load ratings, C_1 , for tapered roller bearings, and C_e for ball bearings. These values are based on a basic rating life of one million revolutions. Timken tapered roller bearings also include the basic dynamic load rating C_{90} , which is based on a basic rating life of ninety million revolutions. The basic static radial load rating is C_0 .

STATIC LOAD RATING

The basic static radial load ratings for Timken bearings are based on a maximum contact stress within a non-rotating bearing of 4000 MPa (580 ksi) for roller bearings and 4200 MPa (609 ksi) for ball bearings, at the center of contact on the most heavily loaded rolling element.

The 4000 MPa (580 ksi) or 4200 MPa (609 ksi) stress levels may cause visible light Brinell marks on the bearing raceways. This degree of marking will not have a measurable effect on fatigue life when the bearing is subsequently rotating under a lower-application load. If sound, vibration or torque are critical, or if a pronounced shock load is present, a lower load limit should be applied.

Raceway hardness HRC	Hardness factor HF_s
58	1.00
57	1.06
56	1.13
55	1.21
54	1.29
53	1.37
52	1.46
51	1.55
50	1.65
49	1.76
48	1.88
47	2.00
46	2.13
45	2.27
44	2.41
43	2.57
42	2.74
41	2.92
40	3.10

Table 6. Hardness factors to modify basic static load rating.

When the loading is static, it is usually suggested that the applied load be no greater than the basic static load rating divided by the appropriate hardness factor (HF_s) as shown in Table 6.

For more information on selecting a bearing for static load conditions, consult your Timken representative.

STATIC RADIAL AND/OR AXIAL EQUIVALENT LOADS

The static equivalent radial and/or axial loading is dependent on the bearing type selected. For bearings designed to accommodate only radial or axial loading, the static equivalent load is equivalent to the applied load.

For all bearings, the maximum contact stress can be approximated using the static equivalent load and the static rating.

For roller bearings:

$$\sigma_0 = 4000 \times \left(\frac{P_0}{C_0} \right)^{1/2} \text{ MPa}$$

$$\sigma_0 = 580 \times \left(\frac{P_0}{C_0} \right)^{1/2} \text{ ksi}$$

For ball bearings:

$$\sigma_0 = 4200 \times \left(\frac{P_0}{C_0} \right)^{1/3} \text{ MPa}$$

$$\sigma_0 = 609 \times \left(\frac{P_0}{C_0} \right)^{1/3} \text{ ksi}$$

Radial ball bearings

The dynamic equivalent radial load is used for comparison with the static load rating.

$$P_{0r} = 1/2 C_0$$

Thrust ball bearings

Similar to radial ball bearings, thrust ball bearings use the same equation for equivalent static and dynamic loading.

$$P_{0a} = XF_r + YF_a$$

The X and Y factors are listed later in this section along with the minimum required axial load-to-radial load ratio for maintaining proper operation.

Tapered roller bearings

To determine the static equivalent radial load for a single-row mounting, first determine the axial load (F_a), then use the following equations, depending on the appropriate axial load condition.

Design	Thrust condition	Axial load	Static equivalent radial load
	$\frac{0.47 F_{rA}}{K_A} \leq \frac{0.47 F_{rB}}{K_B} + F_{ae}$	$F_{aA} = \frac{0.47 F_{rB}}{K_B} + F_{ae}$ $F_{aB} = \frac{0.47 F_{rB}}{K_B}$	$P_{OB} = F_{rB}$ for $F_{aA} < 0.6 F_{rA} / K_A$ $P_{OA} = 1.6 F_{rA} - 1.269 K_A F_{aA}$ for $F_{aA} < 0.6 F_{rA} / K_A$ $P_{OA} = 0.5 F_{rA} + 0.564 K_A F_{aA}$
<p>Design (external axial load, F_{ae}, onto bearing A)</p>	$\frac{0.47 F_{rA}}{K_A} > \frac{0.47 F_{rB}}{K_B} + F_{ae}$	$F_{aA} = \frac{0.47 F_{rA}}{K_A}$ $F_{aB} = \frac{0.47 F_{rA}}{K_A} - F_{ae}$	for $F_{aB} < 0.6 F_{rB} / K_B$ $P_{OB} = 0.5 F_{rB} + 0.564 K_B F_{aB}$ for $F_{aB} < 0.6 F_{rB} / K_B$ $P_{OB} = 1.6 F_{rB} - 1.269 K_B F_{aB}$ $P_{OA} = F_{rA}$

Use the values of P_o calculated for comparison with the static rating (C_o), even if P_o is less than the radial applied F_r .

Where: F_r = applied radial load
 F_a = net bearing axial load. F_{aA} and F_{aB} calculated from equations

Fig. 43. Static equivalent load equations, single-row tapered roller bearing.

Static Equivalent Radial Load (Two-Row Bearings)

The bearing data tables do not include static rating for two-row bearings. The two-row static radial rating can be estimated as:

$$C_{o(2)} = 2C_o$$

Where:

$C_{o(2)}$ = two-row static radial rating
 C_o = static radial load rating of a single-row bearing, type TS, from the same series.

Dynamic Equivalent Radial Bearing Loads (P_r)

To calculate the L_{10} life, it is necessary to calculate a dynamic equivalent radial load, designated by P_r . The dynamic equivalent radial load is defined as a single radial load that, if applied to the bearing, will result in the same life as the combined loading under which the bearing operates.

$$P_r = XF_r + YF_a$$

Where:

P_r = dynamic equivalent radial load
 F_r = applied radial load
 F_a = applied axial load
 X = radial load factor
 Y = axial load factor

Tapered roller bearings use the equations based on the number of rows and type of mounting utilized. For single-row bearings in direct or indirect mounting, the figure on page 46 can be used based on the

direction of the externally applied axial load. Once the appropriate design is chosen, review the table and check the thrust condition to determine which axial load and dynamic equivalent radial load calculations apply.

For ball bearings, the dynamic equivalent radial load can be found in the table below.

Bearing description (ref.)	Contact angle	Single-row and tandem mountings	Double-row and preload pair mountings
Bearing type and or series		$K_T = \frac{F_a}{(\# \text{ of bearings}) \times C_o}$	$K_T = \frac{F_a}{C_o}$
Radial type ball bearings – use larger of resulting “P_r” value⁽¹⁾			
MM9300K MM9100K MM200K MM300K	0°	$P_r = F_r$ or $P_r = 0.56F_r + Y_1F_a$	$P_r = F_r + 1.20Y_2F_a$ or $P_r = 0.78F_r + 1.625Y_3F_a$
Angular contact ball bearings – use larger of resulting “P_r” value			
2MMV9300WI 2MMV9300HX 2MM9300WI 2MV9300WI 2MMV9100WI 2MMV9100HX 2MM99100WI 2MM9100WI 2MV9100WI 2MV200WI 2MMV200WI 2MMV300WI 2MM200WI 2MM300WI 2MV300WI	15°	$P_r = F_r$ or $P_r = 0.44F_r + Y_2F_a$	$P_r = F_r + 1.124Y_2F_a$ or $P_r = 0.72F_r + 1.625Y_2F_a$
2MM9100W0	15°	$P_r = F_r$ or $P_r = 0.44F_r + Y_3F_a$	$P_r = F_r + 1.124Y_3F_a$ or $P_r = 0.72F_r + 1.625Y_3F_a$
3MMV9300WI 3MMV9300HX 3MM9300WI 3MV9300WI 3MMV9100WI 3MMV9100HX 3MM9100WI 3MV9100WI 3MM99100WI 3MV9100WI 3MMV200WI 3MV200WI 3MM200WI 3MM300WI 3MV300WI 3MV300WI	25°	$P_r = F_r$ or $P_r = 0.41F_r + 0.87F_a$	$P_r = F_r + 0.92F_a$ or $P_r = 0.67F_r + 1.41F_a$

⁽¹⁾ If $P_r > C_o$ or $P_r > 1/2 C_e$ consult with your Timken representative on Life Calculations.

Table 7. Dynamic equivalent load equations.

K_T	Y_1	Y_2	Y_3
0.015	2.30	1.47	1.60
0.020	2.22	1.44	1.59
0.025	2.10	1.41	1.57
0.030	2.00	1.39	1.56
0.040	1.86	1.35	1.55
0.050	1.76	1.32	1.53
0.060	1.68	1.29	1.51
0.080	1.57	1.25	1.49
0.100	1.48	1.21	1.47
0.120	1.42	1.19	1.45
0.150	1.34	1.14	1.42
0.200	1.25	1.09	1.39
0.250	1.18	1.05	1.35
0.300	1.13	1.02	1.33
0.400	1.05	1.00	1.29
0.500	1.00	1.00	1.25
0.600	—	—	1.22
0.800	—	—	1.17
1.000	—	—	1.13
1.200	—	—	1.10

Table 8. The required Y factors for ball bearings are found in the table above.

Dynamic Equivalent Axial Bearing Loads (P_a)

For thrust ball and thrust tapered roller bearings, the existence of radial loads introduces complex load calculations that must be carefully considered. If radial load is zero, the dynamic equivalent axial load (P_a) will be equal to the applied axial load (F_a). If any radial load is expected in the application, consult your Timken representative for advice on bearing selection.

For thrust angular contact ball bearings, the dynamic equivalent axial load is determined by:

$$P_a = XF_r + YF_a$$

$$\text{When: } \frac{F_a}{F_r} < 2.17 \quad X = 1.90 \quad Y = 0.54$$

$$\text{When: } \frac{F_a}{F_r} > 2.17 \quad X = 0.92 \quad Y = 1.00$$

$$\text{If: } \frac{F_a}{F_r} \leq 2.17 \quad \text{then bearings with a contact angle} \\ < 60^\circ \text{ should be considered.}$$

BEARING EQUIVALENT LOADS AND REQUIRED RATINGS FOR TAPERED ROLLER BEARINGS

Tapered roller bearings are ideally suited to carry all types of loads – radial, axial, and any combination of both. Due to the tapered design of the bearing, a radial load will induce an axial reaction within the bearing that must be opposed by an equal or greater axial load to keep the bearing cone and cup from separating. The ratio of the radial to the axial load and the bearing included cup angle determine the load zone in a given bearing. The number of rollers in contact as a result of this ratio determines the load zone in the bearing. If all the rollers are in contact, the load zone is referred to as being 360 degrees.

When only radial load is applied to a tapered roller bearing, for convenience it is assumed in using the traditional calculation method that half the rollers support the load – the load zone is 180 degrees. In this case, induced bearing axial load is:

$$F_{a(180)} = \frac{0.47}{K}$$

The equations for determining bearing axial reactions and equivalent radial loads in a system of two single-row bearings are based on the assumption of a 180-degree load zone in one of the bearings and 180 degrees or more in the opposite bearing.

Dynamic Equivalent Radial Load

The basic dynamic radial load rating, C_{90} , is assumed to be the radial load-carrying capacity with a 180-degree load zone in the bearing. When the axial load on a bearing exceeds the induced thrust, $F_{a(180)}$, a dynamic equivalent radial load must be used to calculate bearing life.

The dynamic equivalent radial load is that radial load which, if applied to a bearing, will give the same life as the bearing will attain under the actual loading.

The equations presented give close approximations of the dynamic equivalent radial load assuming a 180-degree load zone in one bearing and 180 degrees or more in the opposite bearing.

Tapered roller bearings use the equations based on the number of rows and type of mounting utilized. For single-row bearings in direct or indirect mounting, the following table can be used based on the direction of the externally applied axial load. Once the appropriate design is chosen, review the table and check the thrust condition to determine which axial load and dynamic equivalent radial load calculations apply.

ALTERNATE APPROACH FOR DETERMINING DYNAMIC EQUIVALENT RADIAL LOADS

The following is a general approach to determining the dynamic equivalent radial loads. Here, a factor “m” has to be defined as +1 for direct-mounted single-row or two-row bearings, or -1 for indirect mounted bearings. Also, a sign convention is necessary for the external axial load F_{ae} as follows:

- In case of external axial load applied to the shaft (typical rotating cone application), F_{ae} to the right is positive; to the left is negative.
- When external axial load is applied to the housing (typical rotating cup application), F_{ae} to the right is negative; to the left is positive.

Design	Thrust condition	Axial load	Dynamic equivalent radial load
	$\frac{0.47 \times F_{rA}}{K_A} \leq \frac{0.47 \times F_{rB}}{K_B} - m F_{ae}$	$F_{aA} = \frac{0.47 \times F_{rB}}{K_B} - m F_{ae}$ $F_{aB} = \frac{0.47 \times F_{rB}}{K_B}$	$P_A = 0.4 F_{rA} + K_A F_{aA}$ $P_B = F_{rB}$
	$\frac{0.47 \times F_{rA}}{K_A} > \frac{0.47 \times F_{rB}}{K_B} - m F_{ae}$	$F_{aA} = \frac{0.47 \times F_{rA}}{K_A}$ $F_{aB} = \frac{0.47 \times F_{rA}}{K_A} + m F_{ae}$	$P_A = F_{rA}$ $P_B = 0.4 F_{rB} + K_B F_{aB}$

If $P_A < F_{rA}$, use $P_A = F_{rA}$ or if $P_B < F_{rB}$, use $P_B = F_{rB}$.

Fig. 44. Dynamic equivalent radial load equations, single-row tapered roller bearing mounting.

Design	Thrust condition	Dynamic equivalent radial load
	$F_{ae} \leq \frac{0.6 \times F_{rAB}}{K^{(1)}}$	$P_A = \frac{K_A}{K_A + K_B} (F_{rAB} - 1.67 m K_B F_{ae})$ $P_B = \frac{K_B}{K_A + K_B} (F_{rAB} + 1.67 m K_A F_{ae})$
	$F_{ae} > \frac{0.6 \times F_{rAB}}{K^{(1)}}$	$P_A = 0.4 F_{rAB} - m K_A F_{ae}$ $P_B = 0.4 F_{rAB} + m K_B F_{ae}$

(1) If “m F_{ae} ” is positive, $K = K_A$; If “m F_{ae} ” is negative, $K = K_B$.

F_{rAB} is the radial load on the two-row assembly. The single-row basic dynamic radial load rating, C_{90} , is to be applied when calculating life based on the above equations.

Fig. 45. Dynamic equivalent radial load equations, two-row tapered roller bearing mounting – fixed bearing with external axial load, F_{ae} (similar or dissimilar series).

BEARING LIFE

Many different performance criteria exist that dictate how a bearing should be selected. These include bearing fatigue life, rotational precision, power requirements, temperature limits, speed capabilities, sound, etc. This publication deals primarily with bearing life as related to material-associated fatigue. Bearing life is defined here as the length of time, or number of revolutions, until a fatigue spall of 6.0 mm² (0.01 in.²) develops. Since metal fatigue is a statistical phenomenon, the life of an individual bearing is impossible to predetermine precisely. Bearings that may appear to be identical can exhibit considerable life scatter when tested under identical conditions. Thus it is necessary to base life predictions on a statistical evaluation of a large number of bearings operating under similar conditions. The Weibull distribution function is commonly used to predict the life of a population of bearings at any given reliability level.

RATING LIFE

Rating life, (L_{10}), is the life that 90 percent of a group of apparently identical bearings will complete or exceed before a fatigue spall develops. The L_{10} life also is associated with 90 percent reliability for a single bearing under a certain load.

BEARING LIFE EQUATIONS

Traditionally, the L_{10} life has been calculated as follows for bearings under radial or combined loading where the dynamic equivalent radial load, (P_r), has been determined:

$$L_{10} = \left(\frac{C}{P_r} \right)^e \times (1 \times 10^6) \quad \text{revolutions}$$

or,

$$L_{10} = \left(\frac{C}{P_r} \right)^e \times \left(\frac{1 \times 10^6}{60n} \right) \quad \text{hours}$$

For thrust bearings, the above equations change to the following.

$$L_{10} = \left(\frac{C_a}{P_a} \right)^e \times (1 \times 10^6) \quad \text{revolutions}$$

or,

$$L_{10} = \left(\frac{C_a}{P_a} \right)^e \times \left(\frac{1 \times 10^6}{60n} \right) \quad \text{hours}$$

$$e = 3 \text{ for ball bearings}$$

$$= 10/3 \text{ for roller bearings}$$

Tapered roller bearings often use a dynamic load rating based on ninety million cycles, as opposed to one million cycles, changing the equations as follows.

$$L_{10} = \left(\frac{C_{90}}{P_r} \right)^{10/3} \times (90 \times 10^6) \quad \text{revolutions}$$

or,

$$L_{10} = \left(\frac{C_{90}}{P_r} \right)^{10/3} \times \left(\frac{90 \times 10^6}{60n} \right) \quad \text{hours}$$

and

$$L_{10} = \left(\frac{C_{a90}}{P_a} \right)^{10/3} \times (90 \times 10^6) \quad \text{revolutions}$$

or,

$$L_{10} = \left(\frac{C_{a90}}{P_a} \right)^{10/3} \times \left(\frac{90 \times 10^6}{60n} \right) \quad \text{hours}$$

As the first set of equations for radial bearings with dynamic ratings based on one million revolutions is the most common form of the equations, this will be used through the rest of this section. The dynamic equivalent load equations and the life adjustment factors are applicable to all forms of the life equation.

With increased emphasis on the relationship between the reference conditions and the actual environment in which the bearing operates in the machine, the traditional life equations have been expanded to include certain additional variables that affect bearing performance. The approach whereby these factors, including a factor for useful life, are considered in the bearing analysis and selection has been termed Bearing Systems Analysis (BSA).

The ISO/ABMA adjusted bearing life equation is:

$$L_{na} = a_1 a_2 a_3 L_{10}$$

Where:

- a_1 = reliability life factor
- a_2 = material life factor
- a_3 = operating condition life factor
(to be specified by the manufacturer)

The Timken adjusted bearing life equation is:

$$L_{na} = a_1 a_2 a_{3d} a_{3h} a_{3k} a_{3l} a_{3m} a_{3p} \left(\frac{C}{P_r} \right)^e (1 \times 10^6) \quad \text{revolutions}$$

Where:

- a_1 = reliability life factor
- a_2 = material life factor
- a_{3d} = debris life factor
- a_{3h} = hardness life factor
- a_{3k} = load zone life factor
- a_{3l} = lubrication life factor
- a_{3m} = misalignment life factor
- a_{3p} = low load life factor
- C = dynamic radial load rating
- P_r = dynamic equivalent radial load
- e = 3 for ball bearings
- = 10/3 for roller bearings

Reliability Life Factor (a₁)

The equation for the life adjustment factor for reliability is:

$$a_1 = 4.26 \times \left(\ln \frac{100}{R} \right)^{2/3} + 0.05$$

ln = natural logarithm (base e)

To adjust the calculated L₁₀ life for reliability, multiply by the a₁ factor. If 90 (90 percent reliability) is substituted for R in the above equation, a₁ = 1. For R = 99 (99 percent reliability), a₁ = 0.25. The following table lists the reliability factor for commonly used reliability values.

R (percent)	L _n	a ₁
90	L ₁₀	1.00
95	L ₅	0.64
96	L ₄	0.55
97	L ₃	0.47
98	L ₂	0.37
99	L ₁	0.25
99.5	L _{0.5}	0.175
99.9	L _{0.1}	0.093

Table 9. Reliability factors.

Note that the equation for reliability adjustment assumes there is a short minimum life below which the probability of bearing damage is minimal (e.g., zero probability of bearing damage producing a short life). Extensive bearing fatigue life testing has shown the minimum life, below which the probability of bearing damage is negligible, to be larger than shown above. For a more accurate prediction of bearing lives at high levels of reliability, consult your Timken representative.

Material Life Factor (a₂)

The life adjustment factor for bearing material (a₂) for standard Timken bearings manufactured from bearing-quality steel is 1.0. Bearings also are manufactured from premium steels, containing fewer and smaller inclusion impurities than standard steels and providing the benefit of extending bearing fatigue life (e.g., DuraSpexx™). Application of the material life factor requires that fatigue life is limited by nonmetallic inclusions, that contact stresses are approximately less than 2400 MPa (350 ksi), and adequate lubrication is provided. It is important to note that improvements in material cannot offset poor lubrication in an operating bearing system. Consult your Timken representative for applicability of the material factor.

Debris Life Factor (a_{3d})

Debris within a lubrication system reduces the life of a rolling bearing by creating indentations on the contacting surfaces, leading to stress risers. The Timken life rating equations were developed based on test data obtained with 0.040 mm (0.00157 in.) oil filtration and measured ISO cleanliness levels of approximately 15/12, which is typical of cleanliness levels found in normal industrial machinery. When more or less debris is present within the system, the fatigue life predictions can be adjusted according to the measured or expected ISO lubricant cleanliness level to more accurately reflect the expected bearing performance.

As opposed to determining the debris life factor based on filtration and ISO cleanliness levels, a Debris Signature Analysis™ can be performed for more accurate bearing performance predictions. The Debris Signature Analysis is a process for determining the effects of the actual debris present in your system on the bearing performance. The typical way in which this occurs is through measurements of dented/bruised surfaces on actual bearings run in a given application. This type of analysis can be beneficial because different types of debris cause differing levels of performance, even when they are of the same size and amount in the lubricant. Soft, ductile particles can cause less performance degradation than hard, brittle particles. Hard, ductile particles are typically most detrimental to bearing life. Brittle particles can break down, thus not affecting performance to as large a degree as hard ductile particles. For more information on Debris Signature Analysis or the availability of Debris Resistant bearings for your application, consult your Timken representative.

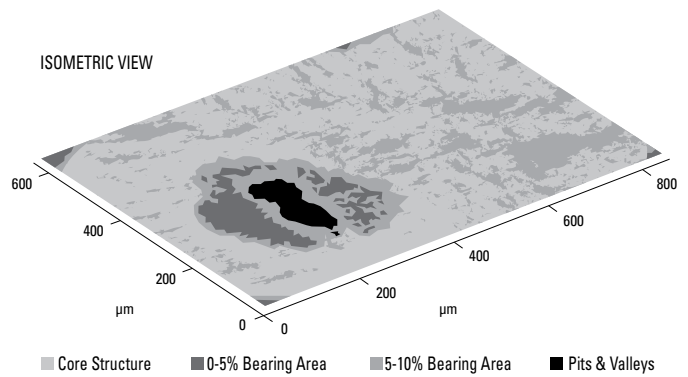


Fig. 46. Surface map of a bearing raceway with debris denting.

Hardness Life Factor (a_{3h})

For Timken bearings in this catalog, supplied as a full assembly, the hardness life factor will be one (1).

Load Zone Life Factor (a_{3k})

The fatigue life of a bearing is a function of the stresses in rolling elements and raceways and the number of stress cycles that the loaded bearing surfaces experience in one bearing revolution. The stresses depend on applied load and on how many rolling elements support that load. The number of stress cycles depends on bearing geometry and, again, on how many rolling elements support the load. Therefore, life for a given external load is related to the loaded arc or load zone of the bearing.

The load zone in a bearing is dominated by the internal clearance, either radial or axial depending on the bearing type. Without considering preload, less clearance in a bearing results in a larger load zone and subsequently longer bearing life.

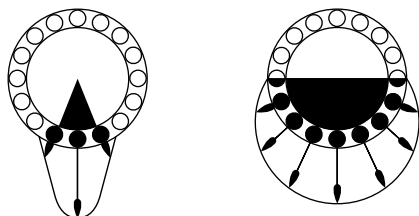


Fig. 47. Bearing load zones and rolling element-raceway contact loading.

Using the dynamic equivalent load (P_r) instead of the applied radial load (F_r) in the equation for L_{10a} roughly approximates the load zone factor for combined loading only. If a more accurate assessment of the load zone adjusted life is necessary (e.g., including the effects of internal clearance or fitting practice), consult your Timken representative.

Lubrication Life Factor (a_{3l})

The influence of lubrication film due to elastohydrodynamic (EHL) lubrication on bearing performance is related to the reduction or prevention of asperity (metal-metal) contact between the bearing surfaces. Extensive testing was done at the Timken Technology Center to quantify the effects of the lubrication-related parameters on bearing life. It was found that the rolling element and raceway surface finish, relative to lubricant film thickness, has the most notable effect on improving bearing performance. Factors such as bearing geometry, material, loads and load zones also play an important role in bearing performance.

The following equation provides a method to calculate the lubrication factor for a more accurate prediction of the influence of lubrication on tapered roller bearing life (L_{10a}). For more information on calculating this factor for ball bearings, consult your Timken representative.

$$a_{3l} = C_g \times C_l \times C_j \times C_s \times C_v \times C_{gr}$$

Where:

- C_g = geometry factor
- C_l = load factor
- C_j = load zone factor
- C_s = speed factor
- C_v = viscosity factor
- C_{gr} = grease lubrication factor

The a_{3l} maximum is 2.88 for all bearings. The a_{3l} minimum is 0.200 for case-hardened bearings and 0.126 for through-hardened bearings.

A lubricant contamination factor is not included in the lubrication factor because Timken endurance tests are typically run with a 0.040 mm (0.00157 in.) filter to provide a realistic level of lubricant cleanliness for most applications.

Geometry Factor (C_g)

C_g is given for most tapered roller bearing part numbers in the appendix. The geometry factor also includes the material effects and load zone considerations. It should be noted that the primary effect of the load zone is on rolling element load distributions and contact stresses within the bearing, which are not quantified within the lubrication factor. Refer to the previous section, Load Zone Life Factor (a_{3k}), for more information.

Load Factor (C_i)

The C_i factor is obtained from the following figure. Note that the factor is different based on the type of bearing utilized. P_r is the equivalent load applied to the bearing in Newtons and is determined in the Equivalent Bearing Loads (P_r) section.

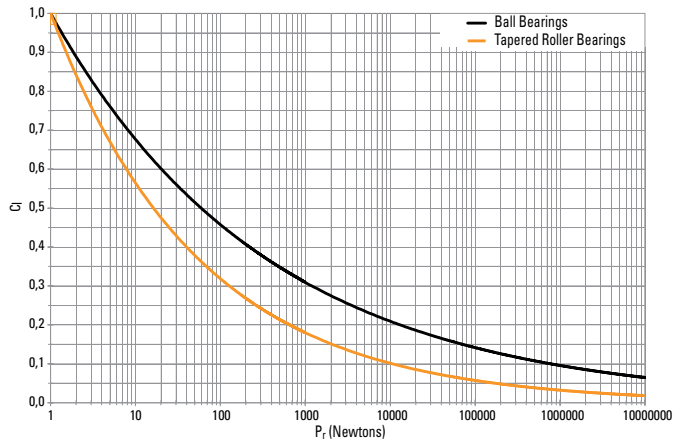


Fig. 48. Load factor (C_i) vs. equivalent bearing load (P_r).

Load Zone Factor (C_j)

As mentioned previously, for all non-tapered roller bearings the load zone factor is one (1). For tapered roller bearings, the load zone factor can be taken from the graph based on the axial load applied to that bearing.

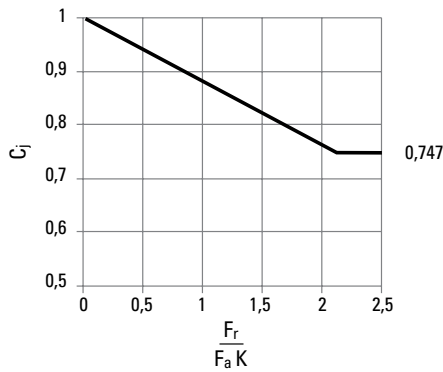


Fig. 49. Load factor (C_j) vs. tapered bearing axial load (F_a).

Speed Factor (C_s)

C_s is determined from the following figure, where rev/min (RPM) is the rotational speed of the inner ring relative to the outer ring.

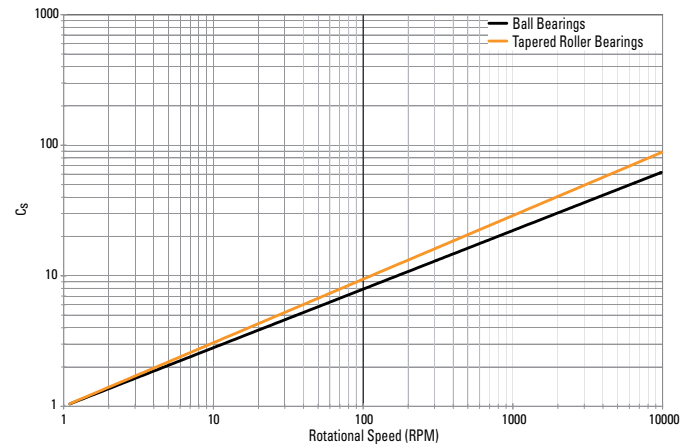


Fig. 50. Speed factor (C_s) vs. rotational speed.

Viscosity Factor (C_v)

The lubricant kinematic viscosity (centistokes [cSt]) is taken at the operating temperature of the bearing. The operating viscosity can be estimated by Figure 51. The viscosity factor (C_v) can then be determined from Figure 52 below.

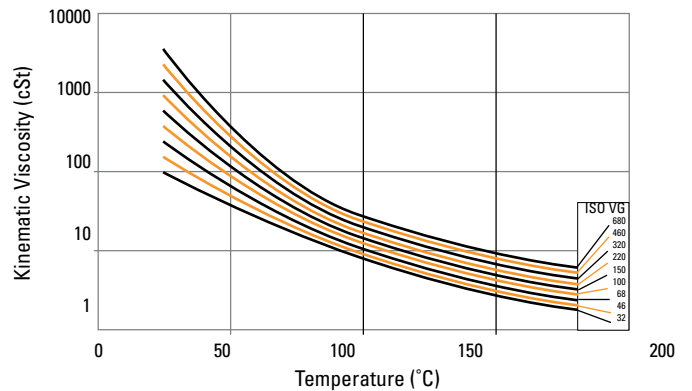


Fig. 51. Temperature vs. kinematic viscosity.

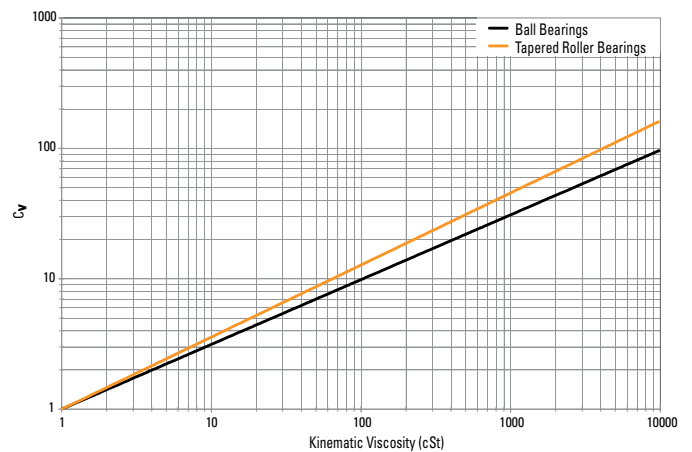


Fig. 52. Viscosity factor (C_v) vs. kinematic viscosity.

Grease Lubrication Factor (C_{gr})

For grease lubrication, the EHL lubrication film becomes depleted of oil over time and is reduced in thickness. Consequently, a reduction factor (C_{gr}) should be used to adjust for this effect.

$$C_{gr} = 0.79$$

Misalignment Life Factor (a_{3m})

The life of the bearing depends on the magnitude of the angle of misalignment, on the internal bearing geometry, and on the applied loads.

Accurate alignment of the shaft relative to the housing is critical for best performance. The life prediction using the method defined in this publication is relatively accurate up to the limits listed within, based on bearing type. The base condition, for which the load rating of the roller bearing is defined, is 0.0005 radians misalignment.

Performance of all Timken bearings under various levels of misalignment and radial and axial load can be predicted using sophisticated computer programs. Using these programs, Timken engineers can design special bearing-contact profiles to accommodate the conditions of radial load, axial load and/or bearing misalignment in your application. Consult your Timken representative for more information.

Low Load Life Factor (a_{3p})

Bearing life tests at the Timken Technology Center have shown greatly extended bearing fatigue life performance is achievable when the bearing contact stresses are low and the lubricant film is sufficient to fully separate the micro-scale textures of the contacting surfaces. Mating the test data with sophisticated computer programs for predicting bearing performance, Timken engineers developed a low-load factor for use in the catalog to predict the life increase expected when operating under low-bearing loads. The following figure shows the low-load factor (a_{3p}) as a function of the lubricant life factor (a_{3l}) and the ratio of bearing dynamic rating to the bearing equivalent load.

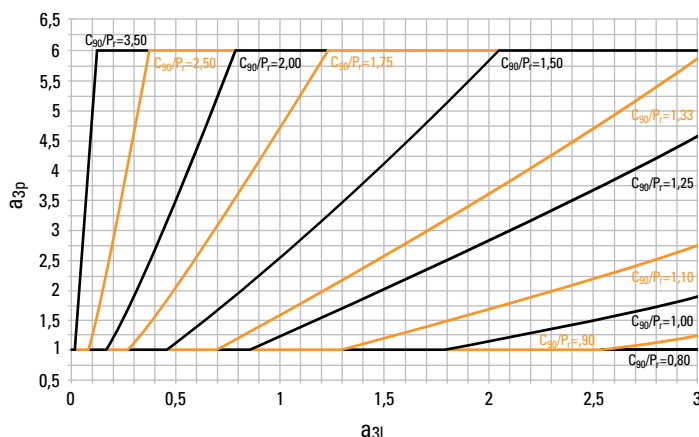


Fig. 53. Low load factor (a_{3p}) vs. lubricant life factor (a_{3l}) and C_{90}/P_1 ratio.

SYSTEM LIFE AND WEIGHTED AVERAGE LOAD AND LIFE

SYSTEM LIFE

System reliability is the probability that all of the given bearings in a system will attain or exceed some required life. System reliability is the product of the individual bearing reliabilities in the system:

$$R_{(\text{system})} = R_A R_B R_C \dots R_n$$

In the application, the L_{10} system life for a number of bearings each having different L_{10} life is:

$$L_{10}(\text{system}) = [(1/L_{10A})^{3/2} + (1/L_{10B})^{3/2} + \dots (1/L_{10n})^{3/2}]^{-2/3}$$

WEIGHTED AVERAGE LIFE AND LOAD EQUATIONS

In many applications, bearings are subjected to various conditions of loading and bearing selection is often made on the basis of maximum load and speed. However, under these conditions a more meaningful analysis may be made examining the loading cycle to determine the weighted average load.

Bearing selection based on weighted average loading will take into account variations in speed, load, and proportion of time during which the variable loads and speed occur. However, it is still necessary to consider extreme loading conditions to evaluate bearing contact stresses and alignment.

Weighted Average Load

Variable speed, load and proportion time:

$$F_{wt} = [(n_1 T_1 F_1^{10/3} + \dots n_n T_n F_n^{10/3}) / n_a]^{0.3}$$

Where during each condition in a load cycle:

- T = proportion of total time
- F = load applied
- n = RPM
- n_a = reference speed of rotation for use in bearing life equations. For convenience, 500 RPM is normally used by Timken.

Uniformly increasing load, constant speed:

$$F_w = [(3/13) (F_{\max}^{13/3} - F_{\min}^{13/3}) / (F_{\max} - F_{\min})]^{0.3}$$

Where, during a load cycle:

- F_{\max} = maximum applied load
- F_{\min} = minimum applied load

The above formulae do not allow the use of the life-modifying factor for lubrication a_3 , except in the case of constant speed. Therefore, when these equations are used in the bearing selection process, the design L_{10} bearing life should be based on a similar successful machine that operates in the same environment. Life calculations for both machines must be performing on the same basis. To allow for varying lubrication conditions in a load cycle, it is necessary to perform the weighted average life calculation.

Weighted Average Life

$$L_{nwt} = 1 / \{ [T_1 / (L_n)_1] + [T_2 / (L_n)_2] + \dots [T_n / (L_n)_n] \}$$

Where, during a load cycle:

- T = proportion of total time
- L_n = calculated rating life for each condition

RATIOS OF BEARING LIFE TO LOADS, POWER AND SPEEDS

In applications subjected to variable conditions of loading, bearing life is calculated for one condition. Life for any other condition can easily be calculated by taking the ratio of certain variables. To use these ratios, the bearing load must vary proportionally with power, speed, or both. Nevertheless, this applies only to “catalog” lives or adjusted lives by any life adjustment factor(s). The following relationships hold under stated specific conditions:

Condition	Equation
Variable load Variable speed	$(L_{10})_2 = (L_{10})_1 (P_1 / P_2)^{10/3} (n_1 / n_2)$
Variable power Variable speed	$(L_{10})_2 = (L_{10})_1 (H_1 / H_2)^{10/3} (n_2 / n_1)^{7/3}$
Constant load Variable speed	$(L_{10})_2 = (L_{10})_1 (n_1 / n_2)$
Constant power Variable speed	$(L_{10})_2 = (L_{10})_1 (n_2 / n_1)^{7/3}$
Variable load Constant speed	$(L_{10})_2 = (L_{10})_1 (P_1 / P_2)^{10/3}$
Variable power Constant speed	$(L_{10})_2 = (L_{10})_1 (H_1 / H_2)^{10/3}$

[P = Load, torque or tangential gear force]

Table 10. Life ratio equations.

To calculate system weighted life Timken determines the weighted life for each bearing separately and then calculates a system weighted life.



PERMISSIBLE OPERATING SPEED

When determining the permissible operating speeds corresponding to the bearing preloads used in machine tool spindles, many influencing factors are involved. Among those considered are spindle mass and construction, type of mounting, spindle rigidity and accuracy requirements, spindle loads, service life, type of service (intermittent or continuous), and method of lubrication.

Bearing temperatures, generally, vary directly with both speed and load. However, high-speed applications must have sufficient axial loading on the bearings to prevent heat generation due to rolling element skidding. The amount of bearing preload is determined primarily from these operating conditions. At lower speeds, the operating loads are heavier and the bearing deflections are greater. Therefore, the bearing preload must be high enough to provide adequate bearing rigidity under the heaviest loads and still maintain reasonable temperatures when the spindle is operated at high speeds.

TAPERED ROLLER BEARINGS

Measuring Rib Speed

The usual measure of the speed of a tapered roller bearing is the rib speed, which is the circumferential velocity at the midpoint of the inner ring large end rib (Figure 54). This may be calculated as:

Rib speed:

$$V_r = \frac{\pi D_m n}{60000} \text{ (m/s)}$$

$$= \frac{\pi D_m n}{12} \text{ (ft/min)}$$

Where:

D_m = mean inner ring large rib diameter mm, in.
 n = bearing speed rev/min

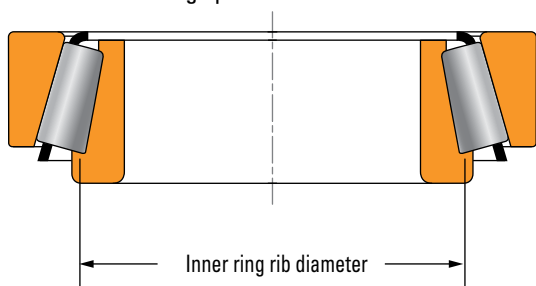


Fig. 54. Cone rib diameter. The inner ring rib diameter may be scaled from a print.

Effect of Lubrication on Speed Capability

The design of the tapered roller bearing results in a natural pumping effect on the lubricant, where the lubricant is forced from the small end of the roller end, heading toward the wider end. As speed increases, the lubricant begins to move outward due to centrifugal effects. At excessive speed, the contact between the roller large ends and the cone's rib face can become a concern. This is the primary reason for suggestions on the use of oil jets at this large end, ribbed-cup designs, or high-speed TSMA designs as operating speeds increase. Refer to the following speed guidelines for more details.

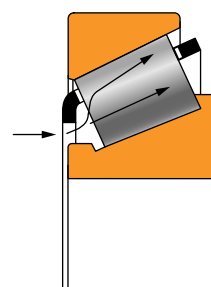


Fig. 55. Pumping effect of a tapered roller bearing

There are no clear-cut speed limitations for tapered roller bearings since performance depends on the bearing design and lubrication system. The guidelines given in the table on page 54 are based on typical industrial experiences relating to speed and temperature for various types of lubrication systems, with bearings having low G_1 factor.

Timken suggests that testing be performed for all new high-speed applications.

SPEED GUIDELINES FOR TAPERED ROLLER BEARINGS IN MACHINE TOOL SPINDLES

Bearing type and position	Cone rib speed (feet/minute)					
	0 - 2500	2500 - 4000	4000 - 6000	6000 - 8000	8000 - 10000	10000 - 20000
TS bearing at nose position						
With standard stamped cage	Yes	Yes	Yes	No	No	No
With thermal compensating device	N/R ⁽¹⁰⁾	N/R	Consider ⁽¹⁾	Yes ⁽¹⁾	No	No
With internal geometry modifications	N/R	N/R	Consider	Yes	No	No
With cage modifications	N/R	N/R	N/R	Yes	No	No
With silver-plated cage	N/R	N/R	N/R	Consider	No	No
With machined cage	N/R	N/R	N/R	N/R	No	No
With improved finish	N/R	N/R	N/R	Consider	No	No
T SMA bearing at nose position						
T SMA	N/R	N/R	N/R	Consider ⁽¹⁾	Yes ⁽¹⁾	Yes ⁽¹⁾
With internal geometry modifications	N/R	N/R	N/R	Yes	Yes	Yes
With cage modifications	N/R	N/R	N/R	Yes	Yes	Yes
With silver-plated cage	N/R	N/R	N/R	Consider	Yes	Yes
With machined cage	N/R	N/R	N/R	N/R	Consider	Yes
With improved finish	N/R	N/R	N/R	Consider	Consider	Yes
Ribbed cup bearing at nose position						
Ribbed cup	N/R	N/R	N/R	N/R	Yes	Yes
With internal geometry modifications	N/R	N/R	N/R	N/R	Yes	Yes
With silver-plated cage	N/R	N/R	N/R	N/R	Yes	Yes
With machined cage	N/R	N/R	N/R	N/R	Consider	Yes
With oil drainage holes in cup	N/R	N/R	N/R	N/R	Consider	Yes
With improved finish	N/R	N/R	N/R	N/R	Consider	Yes
Hydra-Rib bearing at rear position						
Standard Hydra-Rib	Consider	Consider	Consider	Yes	No	No
Modified Hydra-Rib	N/R	N/R	N/R	N/R	Yes	Yes
With internal geometry modifications	N/R	N/R	N/R	Yes	Yes	Yes
With silver-plated cage	N/R	N/R	N/R	Consider	Yes	Yes
With machined cage	N/R	N/R	N/R	N/R	Consider	Yes
With oil drainage holes in cup	N/R	N/R	N/R	N/R	Consider	Yes
With improved finish	N/R	N/R	N/R	Consider	Consider	Yes
Lubrication system						
Standard spindle grease	Yes	No	No	No	No	No
Special high-speed grease	N/R	Yes ⁽²⁾	No	No	No	No
Oil level	Yes ⁽⁴⁾	Yes ⁽⁴⁾	No	No	No	No
Air/oil or mist	N/R	Consider	Yes ⁽¹⁾	Yes ⁽¹⁾⁽⁸⁾	No	No
Circulating oil	N/R	N/R	Yes ⁽⁵⁾	Yes ⁽⁵⁾	Yes ⁽⁶⁾	Yes ⁽⁶⁾
Oil jets required under cage	N/R	N/R	N/R	Yes ⁽⁷⁾	Yes ⁽⁷⁾	Yes ⁽⁷⁾
Oil jets required to backface rib	N/R	N/R	N/R	Yes ⁽⁴⁾⁽⁷⁾	Yes ⁽³⁾⁽⁷⁾	Yes ⁽³⁾⁽⁷⁾

⁽¹⁾ Requires use of Hydra-Rib, Spring-Rib, or spring loaded design at rear position.
⁽²⁾ Kluber NBU15, Mobil 28, or equivalent.
⁽³⁾ Only for T SMA bearings.
⁽⁴⁾ Use ISO VG32 or equivalent for oil level.
⁽⁵⁾ Do not use greater than ISO VG32 or equivalent for circulating oil. Preferred is ISO VG22 or equivalent.
⁽⁶⁾ Same as (9) except water jackets in housing would also be required.
⁽⁷⁾ 3 Jets at 120 degrees.
⁽⁸⁾ Not to be used with T SMA design.
⁽⁹⁾ Normally used for operating speeds less than 12.7 m/s (2500 fpm).
⁽¹⁰⁾ Not required (N/R).

Tapered roller bearing designs
 2TS mounting (standard design)
 2TS + TDO at rear (box mounting) ⁽⁹⁾
 2TS mounting w/spring mounting
 TS mounting + Hydra-Rib
 2 T SMA mounting front and rear
 T SMA mounting + Hydra-Rib
 2 TS ribbed cup mounting
 Ribbed cup mounting + Hydra-Rib

Spindle bearing design factors
 K-Factor of 1.00 to 1.80 preferred.

Look at G₁ Factor for indication of heat generation characteristics.

Thin section L and LL type bearings should be given primary consideration.

Consult with your Timken representative to ensure bearings selected have good high-speed characteristics.



Lubrication Guidelines for Higher Speed Bearings

A precision tapered roller bearing can meet almost any level of speed required by the machine tool industry with the TSMA and Hydra-Rib high-speed bearing designs, providing circulating oil lubrication can be accommodated.

Both the lubricant and lubrication system have an effect on heat-generation and heat-dissipation rates and thus are important to the speed capabilities of a bearing.

The choice of lubrication will depend on:

- Maximum speed requirement.
- Heat dissipation rate of the system.
- Spindle layout.
- Orientation of the spindle.

Internal Bearing Design – G₁ Factor

Internal bearing geometry has a direct influence on torque and, therefore heat generation. In order to rate the torque/heat generation characteristics of its bearings and to assist designers in selecting appropriate bearings, Timken developed a factor called G₁: the lower the G₁ factor, the lower the heat generation. The G₁ factors are published in Timken catalogs and are listed in the appendix of this catalog for the precision tapered roller bearing part numbers listed in the tapered roller bearing section.

This G₁ factor is of prime importance to a designer because of the influence of operating temperature on spindle accuracy.

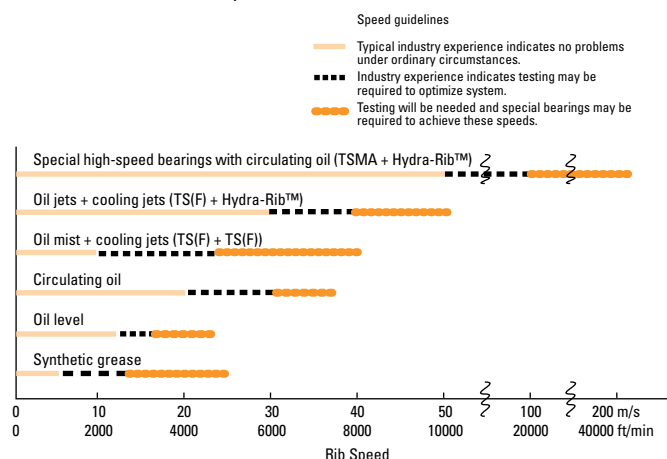


Fig. 56. Speed capability guidelines for various types of lubrication systems.

LUBRICATION

TAPERED ROLLER BEARINGS

The selection of the lubricant and lubricant delivery method is directly linked with the speedability of a bearing. It is strongly suggested that the section on permissible operating speed be reviewed by the customer in addition to this section on lubrication.

Fig. 57. Filling a bearing with synthetic grease.

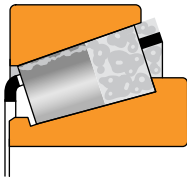


Fig. 58. Simple radial oil inlet hole with oil collector.

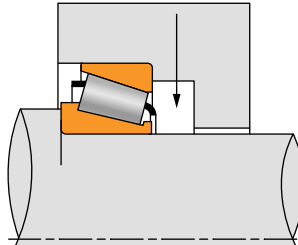
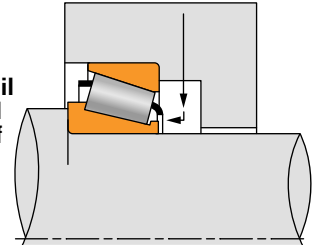


Fig. 59. Axial oil jet to direct oil at small end of the rollers.



GREASE

Grease lubrication speed limits are lower than limits for oil lubrication because all the heat must be carried away by conduction through the shaft and housing.

Mineral Grease

When conventional (mineral) greases are used, the rib speed should be limited to 5 m/s (985 fpm). This limit can be increased under pure radial loads up to 13 m/s (2560 fpm) provided that the bearings remain in end play under all operating conditions. Generally, No. 2 consistency greases are used with medium- to low-viscosity base oils.

Lubricant quantity (V_{mg}) may be approximated by using the following equation:

$$V_{mg} = f_{mg} \times V = f_{mg} \times \left[\frac{\pi}{4} \times T \times (D^2 - d^2) \times 10^{-3} - \frac{M}{7.8 \times 10^{-3}} \right] \text{ (cm}^3\text{)}$$

Where:

- f_{mg} = factor depending on speed: $0.3 < f_{mg} < 0.5$
- V = free volume of the bearing (cm³)
- T = overall bearing width (mm)
- D = cup outer diameter (mm)
- d = cone bore (mm)
- M = bearing weight (kg)
- π = 3.1416

Synthetic Grease

The use of "low-torque" greases (or synthetic greases) can be considered for rib speeds over 13 m/s (2560 fpm), up to maximum of 25 m/s (4920 fpm). Experience has shown that stabilized temperatures, around 15° C to 20° C (27° F to 36° F) above ambient, can be obtained at the maximum permissible speed.

It is important to follow these procedures to help achieve the above performance:

- All corrosion protection is removed from the bearing surfaces by using an organic solvent.
- Very small initial quantity of grease is applied to prevent excessive churning.
- Initial run-in period to evacuate unnecessary grease from the bearing.
- Good spindle design to retain grease around the bearings.
- Efficient sealing to protect against external contamination.

Lubricant quantity (V_{sg}) may be approximated by using the following equation:

$$V_{sg} = f_{sg} \times V = f_{sg} \times \left[\frac{\pi}{4} \times T \times (D^2 - d^2) \times 10^{-3} - \frac{M}{7.8 \times 10^{-3}} \right] \text{ (cm}^3\text{)}$$

Where:

- f_{sg} = factor depending on speed: $0.15 < f_{sg} < 0.3$
- π = 3,1416

When using synthetic greases, the limiting factor is the "lubrication for life" concept (without re-greasing). Depending on load and speed conditions, the grease life will typically be limited to 5000 to 8000 hours.

The Timken Company's suggestions for the use and run-in of synthetic greases are illustrated later in this section.

A normal way to fill the bearing with grease is to do it by hand before heating and fitting the components. For the cone, the free volume corresponding to the first third of the rollers, starting from their large end, is filled with grease; an additional quantity is provided below the cage. For the cup, a thin film of grease is spread all around the race as shown in Figure 57.

OIL

Grease lubrication of spindle bearings is generally preferred by machine tool builders over oil circulation lubrication due to its simplicity and low heat generation. For high loads or high speeds, however, circulating oil is probably the most widely used method because of its capability to remove heat from the spindle.

Oil Circulation

Many parameters have to be considered in designing an efficient oil circulation lubrication system:

- Oil characteristics.
- Oil flow rates.
- Oil feed and drain systems.
- Heat dissipation rate of the bearing system.

The latter is affected by factors such as conduction through the housing walls and convection by the circulating lubricant.

Oil Characteristics

A low-viscosity mineral oil in the range of ISO VG10 to ISO VG22 is generally specified for the bearings. This choice will minimize heat generation, particularly at high speeds, where the lowest practical viscosity is required. Care must be taken, however, if gears are used for the power transmission because the choice of the common lubricant will be systematically dictated by the needs of the gears. High-quality mineral oils having suitable additives for lubricating both the gears and bearings are available with a relatively low viscosity.

Oil Feed System

Forced-feed oil systems are generally used in the machine tool industry. In a typical system, oil is pumped from a central reservoir to each bearing separately. Oil is introduced at the small end of the rollers and drained away at the large end to take advantage of the natural pumping action of tapered roller bearings.

Circulating oil allows a continuous regulated oil flow. Apart from providing the advantages of maximum heat dissipation, it also has the added benefit of removing any contamination or debris that could possibly cause bearing wear.

Heat exchangers can be included in a circulating system to reduce oil inlet temperature and better regulate the running temperature of the system. Filters of 0.040 mm (0.00157 in.) size also are generally provided to remove debris.

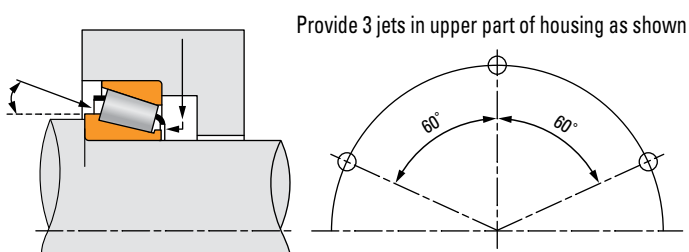


Fig. 60. Cooling jets in top part of the housing for speed above 25 m/s (4920 fpm).

Experience has shown that for speeds up to 20 m/s (3940 fpm), a simple radial oil inlet hole in the top part of the housing in conjunction with an oil collector is sufficient (Figure 58). For speeds over 20 m/s (3940 fpm), an axial oil jet should be positioned to direct oil at the small end of the roller at the gap between the cage and the inner ring (Figure 59). For high speeds or in case of large size bearings, additional oil jets can be arranged about the circumference to better distribute the oil within the bearings.

With increasing speeds (approximately 25 m/s [4920 fpm] and above), the effect of centrifugal force will throw the oil to the outside along the cup race. To prevent lubricant starvation at the inner ring rib, and consequent bearing burnup, additional oil jets have to be provided in the top part of the housing (Figure 60).

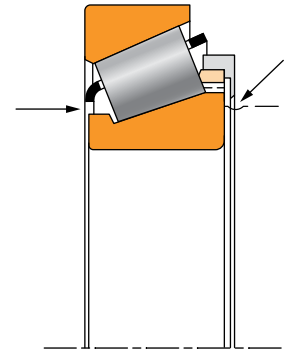


Fig. 61. The TSMA bearing.

For rib speeds over 40 m/s (7874 fpm), special high-speed TSMA bearings have been developed. A special provision for lubrication of the roller-rib contact area is provided to ensure adequate lubrication. The concept works by capturing oil in a manifold attached to the inner ring and directing it to the roller-rib contact area through holes drilled axially in the inner ring (Figure 61).

Oil Drainage System

An effective circulating oil system requires adequate drainage to prevent an oil buildup that would cause excessive churning and unnecessary heat generation. Oil passing through a high-speed bearing will exit the bearing at a high velocity and also will swirl around the housing in the direction of rotation of the bearing. To effectively drain the oil away, the high velocity must be slowed and the swirling action stopped so that the oil will fall down into the drain area. A drain catch basin is required to break up the flow of oil and direct the oil to the drain hole (Figure 62). Oil drain sections must be adequately dimensioned to ease the rapid evacuation of the oil.

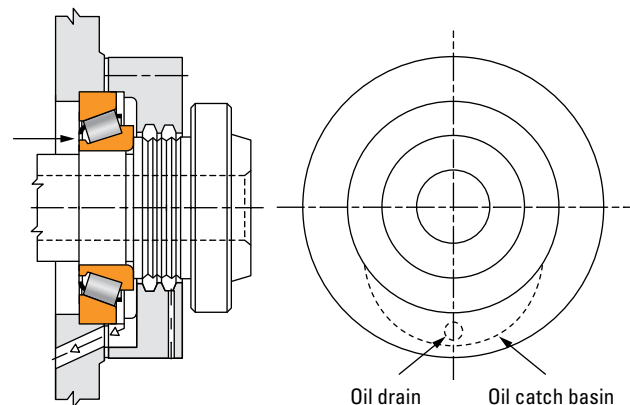


Fig. 62. Oil drain design.

BALL BEARINGS

Even though ball bearings have the least amount of friction of any of the common rolling bearings, lubrication is required to minimize rolling resistance due to deformation of the balls in the raceways under load, and to minimize any sliding friction that occurs between the balls, the raceway and the cage. Lubrication also serves to protect the accurately ground and polished surfaces from corrosion. In addition, lubrication in general dissipates generated heat and can help protect the bearing from the entry of foreign matter.

Regardless of the method of lubrication or type of lubricant, it is important that quality lubricants be used to minimize oxidation, gumming or sludging and that the lubricant be clean and free of moisture to minimize wear.

Only enough lubrication to accomplish these purposes should be used since another source of heat may become present, namely friction between the lubricant and the moving parts, in the form of churning or internal shear of the lubricant itself.

In the lubrication of ball bearings it is important to realize that a small quantity of oil or grease will, if constantly present in the bearing, suffice for its requirements. It should be noted that trouble can result from too much lubrication just as it can from too little. Both conditions should be avoided. Excessive oil or grease will result in high temperature and possible damage. When grease is used, it is necessary to take into consideration the maximum operating temperature. Particular attention must be given to the housing design relating to the proximity of the grease to the bearing, to assure adequate purge room and grease retention.

Depending upon operating speeds, loads and temperatures, machine tool ball bearings are lubricated with grease, oil or oil mist. In general, oils are required when bearings operate at high speeds as they provide greater cooling than is possible with grease.

The following relationship may be used to estimate the effect of preload and lubrication method on the Permissible Operating Speed (S_p).

$$S_p = F_L \times F_P \times F_B \times N_G$$

Where:

F_L = lubrication factor

F_P = preload factor

F_B = ball material factor

N_G is Permissible Speed for a single, grease-lubricated bearing with inner ring rotation. This value is found with the part number tables.

Factors are as follows:

Lubrication factor (F_L)	
Grease	$F_L = 1.00$
Oil bath	$F_L = 1.50$
Oil mist	$F_L = 1.70$
Oil jet or metered oil	$F_L = 2.00$

Table 11. Lubrication factor = (F_L).

Bearing mounting arrangement	Bearing preload		
	L	M	H
	0.85	0.70	0.50
	0.80	0.60	0.40
	0.65	0.50	0.30
	0.65	0.50	0.30
	0.70	0.60	0.35
	0.60	0.40	0.20
	0.65	0.45	0.25

Table 12. Bearing preload factor = (F_P).

Ball material factor (F_B)	
Steel balls	$F_B = 1.00$
Ceramic balls ⁽¹⁾	$F_B = 1.20$

⁽¹⁾Ceramic balls allow 20 percent increase to speed factor.

Table 13. Ball material factor (F_B).

GREASE

The use of grease as a lubricant for Timken super precision ball bearings on various spindle applications is becoming more popular, due to the development of better ball bearing greases, simplification of design and elimination of the “human maintenance factor,” which is frequently responsible for too much lubrication, not enough lubrication, or the wrong kind of lubrication. Prelubricating the bearings at assembly with the correct amount of the correct grease, thus eliminating all grease fittings, has increased bearing life in many instances.

For successful lubrication, grease for ball bearings should have good mechanical and chemical stability with low-torque characteristics. Two different types of grease, one soft and the other firmer, have proved to be suitable lubricants for machine tool spindle bearings. The “soft” greases have a worked penetration factor corresponding to NLGI of two or less. The firmer grease has a worked penetration factor of three or more and is of the channeling type. All greases show a very slight change in consistency after operation in a bearing. As the softer grease has a tendency to churn, particular attention should be given to the quantity packed into the bearing. Because the firmer grease is of the channeling type, the amount used is not as critical.

For super precision ball bearings below a 500000 dN value, which is equivalent to a 50.000 mm (1.9685 in.) bore bearing rotating at 10000 RPM, either a light-consistency grease or the channeling grease may be used.

At continuous speeds above a dN value of 500000, the operating temperature is generally lower when the bearings are lubricated with a lower-consistency grease and after sufficient break-in.

However, the grease quantity in each bearing must be limited. At these higher speeds, an excessive amount of grease in the bearing may result in greatly increased operating temperatures due to churning action. This condition, if uncontrolled, may lead to premature bearing damage.

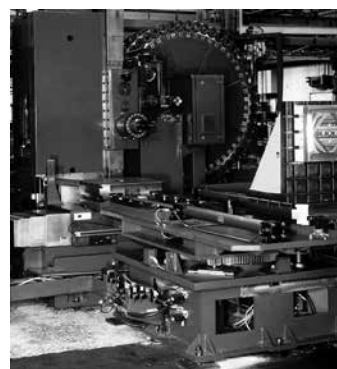
Grease and Speed Capability

Before selecting a grease, it is important to define a relative speed capability of the application. There is no precise method that can be applied to determine the operating speed of a bearing. Over the years, designers of machine tool systems have been guided by their own experiences from which many basic “rules of thumb” have been established. One such rule is the dN speed value.

$$dN = \text{Bore in millimeters} \times \text{RPM}$$

The most common spindle greases that Timken suggests for Timken spindle ball bearings are:

Unirex N3	Vertical applications < 500000 dN
Mobil 28	Light loads < 600000 dN
Chevron SRI	Medium to heavy loads < 350000 dN
Kluber Isoflex NBU 15/ NCA 15	Light loads, vertical or horizontal applications > 500000 dN
Kluber BF-7222	Light loads, vertical or horizontal applications at higher speeds > 750000 dN



OIL

Although several grease products have been successful at dN values as high as one million, oils are generally suggested for bearings operating at high speeds or to provide more cooling and dissipation of heat than is possible with grease. High-grade spindle oil having a viscosity of 100 seconds Saybolt at 37° C (100° F) is suggested for use in drip-feed oilers, oil bath lubrication arrangements and oil mist systems. In heavily loaded applications, oil in relatively large quantities must be supplied, and where temperatures run higher than normal, oil coolers will be suggested. Churning of a large pool of oil is to be avoided if speed is significant.

Oil Bath

The conventional oil-bath system for lubricating the bearings is satisfactory for low and moderate speeds. The static oil level must never be higher than the center of the lowermost ball. When the shaft is rotating, the running level may drop considerably below the standstill level, depending on the speed of the revolving parts. A sight gauge or other suitable method should be provided to permit an easy check.

Drip-Feed Oil

Where the speeds are considered high for oil bath and the bearings are moderately loaded, oil introduced through a filter-type, sight-feed oiler is suggested. This assures a constant supply of lubricant. The feed in drops-per-minute is determined by closely observing the operating temperatures.

Oil Jet

In applications where the ball bearing is heavily loaded and operating at high speed and high temperatures, or where the operating conditions are severe with high ambient temperatures, oil jet lubrication may be required. In such cases, it is necessary to lubricate each bearing location individually and to provide adequately large drain openings to prevent excessive accumulation of oil after it has passed through the bearings.⁽¹⁾

Oil Mist

Oil mist lubrication is often used for spindles running continuously at high speeds. With this method of lubrication, oil of the proper viscosity is atomized into finely divided particles, mixed with clean, filtered, dry compressed air and directed to pass through the bearings in a constant stream. This oil is metered into the air under pressure. This system not only lubricates the bearings, it affords some cooling due to the air flow. This continuous passage of air and oil through the bearings and the labyrinth seals also serves to prevent the entrance of contaminants into the bearings.

To ensure the “wetting” of the bearings and to prevent possible damage to the balls and raceways, it is imperative that the oil mist system be turned on for several minutes before the spindle is started. The importance of wetting the bearings before starting cannot be overstated and has particular significance for spindles that have been idle for extended periods of time. To avoid such effects, most oil mist systems have interlocks that make it impossible to start the spindle until the lubricating system is working properly and the bearings are thoroughly wetted.⁽¹⁾

Metered Air/Oil

This method is similar to the oil mist; however, the oil is fed by periodic pulses to the lubrication line providing a higher air-to-oil ratio. Therefore, this method lowers the operating bearing temperature and lubricant shear effects, enabling higher operating speeds. ⁽¹⁾

	System cost	Typical speed (dN) ⁽²⁾
Grease	Low	500000
High-speed grease	Low	750000
Oil bath	Low	400000
Oil drip	Low	600000
Oil mist	Medium	1000000
Metered air/oil	High	>1000000
Oil jet	High	>1000000

⁽²⁾Speed value is an approximation and assumes proper mounting and preload techniques along with average loading conditions. For more specific guidance contact your Timken representative.

The speed, “dN,” value is obtained by multiplying the bearing bore size in millimeters by the shaft RPM.

Table 14. Lubrication system comparison.

⁽¹⁾For further information, refer to the lubrication specification tables found on pages 235-236.

RUN-IN PROCEDURES

TAPERED ROLLER BEARINGS WITH SYNTHETIC GREASE

The aim of run-in cycles is to correctly spread the grease inside the bearing, to avoid churning of the grease and excessive bearing temperature.

During run-in operations, the bearing temperature must be constantly monitored and immediately plotted on a graph so that any tendency of the curve toward a vertical asymptote can be averted. Temperature probes, placed closest to the bearings, will provide better control of the run-in operations.

The other advantage of the graph is to help determine the run-in time at a given speed. When the curve becomes horizontal, it shows that the temperature has stabilized. It is then possible to proceed to the next speed.

The indicated times may vary depending on the speeds and heat dissipation capacity of the spindles.

According to the results obtained on the prototype, it may be possible to reduce either the number or the length (or both) of the run-in steps for production spindles. In any event, temperature control should be retained for safety reasons.

When running-in multi-speed spindles, reduced speeds must be chosen at start-up of the cycles. The speed can be progressively increased until the bearings evacuate any excessive quantities of grease.

Time	Action
10 sec	Run
1 min	Stop
20 sec	Run
1 min	Stop
30 sec	Run
1 min	Stop
40 sec	Run
1 min	Stop
50 sec	Run
1 min	Stop
1 min	Run
1 min	Stop
90 sec	Run
1 min	Stop
2 min	Run
1 min	Stop
3 min	Run*
1 min	Stop
4 min	Run*
1 min	Stop
6 min	Run*
1 min	Stop
10 min	Run*
20 min	Stop

⇒ Then run until temperature stabilizes. At this step of the cycle, as well as at the other steps marked *, closely watch the curve's shape. If it tends to be vertical, stop 15 minutes and run again at 75 percent of max. speed until the temperature stabilizes again. Then restart the cycle from the beginning at max. speed.

Table 15. Run-in suggestions for synthetic grease-lubricated tapered roller bearings with single-speed spindles.

25% Max. speed		50% Max. speed		75% Max speed		Max. speed	
Time	Action	Time	Action	Time	Action	Time	Action
1 min	Run	1 min	Run	1 min	Run	1 min	Run
1 min	Stop	1 min	Stop	1 min	Stop	1 min	Stop
1 min	Run	1 min	Run	1 min	Run	1 min	Run
1 min	Stop	1 min	Stop	1 min	Stop	1 min	Stop
2 min	Run	2 min	Run	2 min	Run	2 min	Run
1 min	Stop	1 min	Stop	1 min	Stop	1 min	Stop
3 min	Run	3 min	Run	3 min	Run	3 min	Run
5 min	Stop	5 min	Stop	5 min	Stop	5 min	Stop
⇒ Then run until temperature stabilizes.		⇒ Then run until temperature stabilizes.		⇒ Then run and closely watch the curve's shape during running, until stabilization. If it tends to be vertical, stop 15 minutes and run again at same speed.		⇒ Then run until temperature stabilizes. At this step of the cycle, closely watch the curve's shape. If it tends to be vertical, stop 15 minutes and run again at 75 percent of max. speed until the temperature stabilizes again. Then restart the cycle from the beginning at max. speed.	

Table 16. Run-in suggestions for synthetic grease-lubricated tapered roller bearings with multi-speed spindles.

BALL BEARINGS WITH GREASE LUBRICATION

Figure 63 shows bearing temperature increase due to run-in procedure. The peaking temperature followed by the leveling off is a result of the new grease being worked and then stabilized for a particular condition of load and speed.

It is important that the peak temperature not exceed 55° C (100° F) above room temperature since the chemical consistency and characteristics of the grease can be permanently altered. Thus, the proper run-in procedure is to run the machine until the spindle temperature rises to 65° C (150° F) and then turn it off to allow the grease to cool. Repeat until the spindle temperature stabilizes at a temperature below 54° C (130° F).

Figure 64 shows the typical temperature rise of the bearing once the grease has been worked in for the specific speed and load.

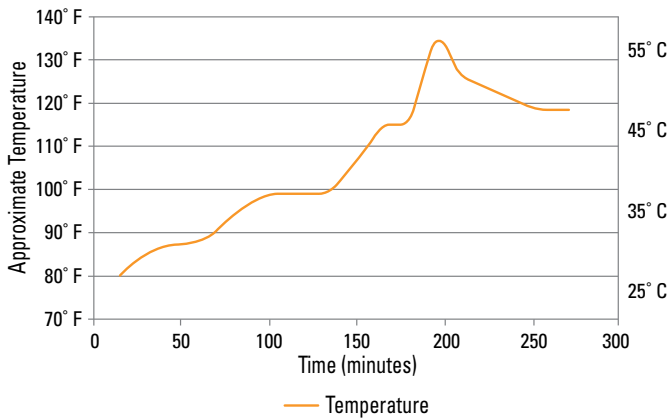


Fig. 63. Typical temperature profile during break-in (4 speed increments from 200000 dN start to 800000 dN finish).

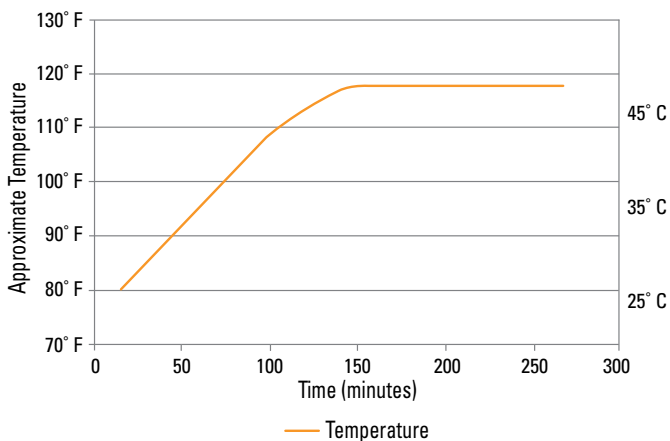


Fig. 64. Typical temperature after break-in procedure.

BALL BEARINGS WITH GREASE (FOR SPEEDS > 500000 dN)

A proper run-in procedure will provide the following results:

- Expel the excess grease from the bearings.
- Orient the lubricating film on each contact surface.
- Establish a low-equilibrium operating temperature.

Run-In Procedure

- 1) Install proper quantity of grease.
- 2) Start at a reasonable low speed, typically 10 percent of the maximum operating speed.
- 3) Increase speed with small, reasonable increments when a stable temperature is reached.
- 4) Continue incremental increase in speed as described. If a rapid temperature increase occurs (temperature exceeds 70° C [158° F]), stop the run-in process.

Maximum bearing temperatures should not exceed 70° C (158° F). Temperatures in excess of 70° C (158° F) may cause excessive bearing preloads and possible permanent grease or bearing damage.

- 5) Allow the system to cool to room temperature.
- 6) Restart procedure at the last speed prior to the temperature spike.
- 7) Continue repeating the above cycle until an equilibrium temperature is reached at the maximum operating speed of the application. *The ideal equilibrium operating temperature is 35° C to 46° C (95° F to 115° F).*

Alternative Run-In Procedure (When Unable to Control Incremental Speeds)

Run-in at constant speed also is possible. In this operation, the bearing should run at full speed for about 30 seconds. After stopping, the heat in the bearing dissipates. In this way, a dangerous temperature rise is prevented. The non-running time depends on the various design factors, but it should be at least five times greater than the running time. This process is repeated until the bearing temperature becomes constant.



VERTICAL SPINDLES

For vertical axis spindles, special attention must be paid to the lubrication and sealing. Modified sealing is required to prevent the coolant from contaminating the lubricant when the spindle nose bearing is at the upper position (Figure 65).

In the case of grease lubrication, deflectors have to be installed to prevent grease migration away from the bearing cavity. Alternatively, when oil lubrication is adopted and the nose bearing is at the lower position, a system to collect and extract the oil has to be provided to prevent leakage (Figure 66).

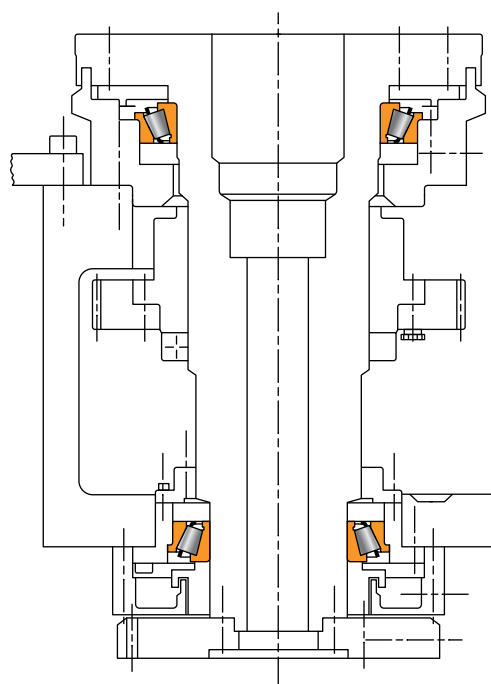


Fig. 65. Vertical axis spindle.

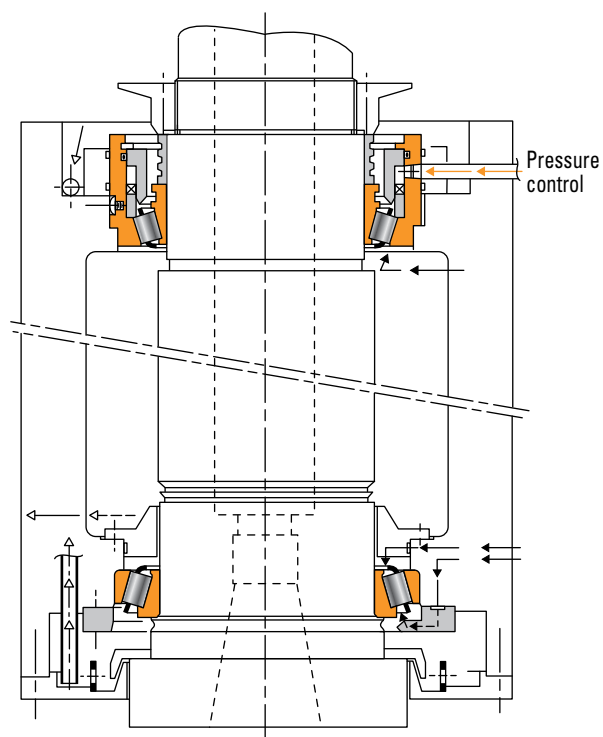


Fig. 66. Typical example of proper use of an oil-lubricated vertical axis spindle with pressure control for the oil and a means to collect and extract the oil.

A HEAT GENERATION AND DISSIPATION

TAPERED ROLLER BEARINGS

Heat Generation

Under normal operating conditions, most of the torque and heat generated by the bearing is due to the elastohydrodynamic losses at the contact area between rollers and races.

The following equation is used to calculate the heat generated by the bearing:

$$Q_{gen} = k_4 n M$$

$$M = k_1 G_1 (n\mu)^{0,62} (P_{eq})^{0,3}$$

Where:

- Q_{gen} = generated heat (W or Btu/min)
- M = running torque N.m or lbf-in.
- n = rotational speed (RPM)
- G_1 = geometry factor from bearing data tables
- μ = viscosity at operating temperature (cP)
- P_{eq} = dynamic equivalent load (N or lbf)
- k_1 = bearing torque constant
= $2,56 \times 10^{-6}$ for M in N-m
= $3,54 \times 10^{-5}$ for M in lbf-in.
- k_4 = dimensional factor to calculate heat generation rate
= 0,105 for Q_{gen} in W when M in N-m
= $6,73 \times 10^{-4}$ for Q_{gen} in Btu/min when M in lbf-in.

The generated heat will be underestimated if operating speed:

$$n \leq \frac{k_2}{G_2 \times \mu} \left(\frac{f_2 \times F_r}{K} \right)^{0,66} \text{ RPM}$$

Where:

- G_2 = geometry factor (from bearing data tables)
- k_2 = 625 (metric) or 1700 (inch)
- K = K factor of the bearing (from bearing data tables)
- f_2 = combined load factor (Figure 67)

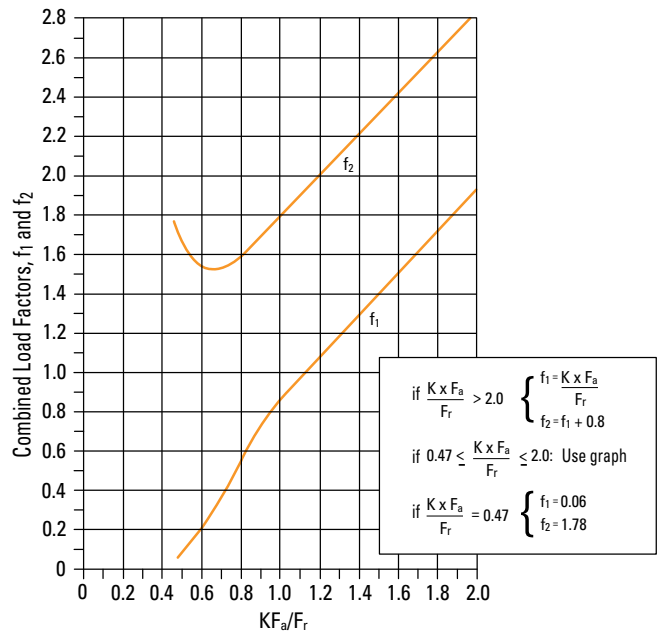


Fig. 67. Determination of combined load factors f_1 and f_2 .

Design (thrust F_{ae} onto A)	Thrust condition	Net axial load	Dynamic equivalent load P_{eq}
	$\frac{0.47 \times F_{rA}}{K_A} \leq \frac{0.47 \times F_{rB}}{K_B} + F_{ae}$	$F_{aA} = \frac{0.47 \times F_{rB}}{K_B} + F_{ae}$ $F_{aB} = \frac{0.47 \times F_{rB}}{K_B}$	$P_{eq} = \left(\frac{f_1 \times F_r}{K} \right)$ <p>f_1 = combined load factor (see Figure 67)</p>
	$\frac{0.47 \times F_{rA}}{K_A} > \frac{0.47 \times F_{rB}}{K_B} + F_{ae}$	$F_{aA} = \frac{0.47 \times F_{rA}}{K_A}$ $F_{aB} = \frac{0.47 \times F_{rA}}{K_A} - F_{ae}$	

Fig. 68. Determination of dynamic equivalent load P_{eq} .

Heat Dissipation

The heat dissipation rate of a bearing system is affected by many factors, and the modes of heat transfer need to be considered. Major heat transfer modes in most systems are conduction through the housing walls, convection at the inside and outside surfaces of the housing, and convection by the circulating lubricant. In many applications, overall heat dissipation can be divided into two categories:

- Heat removed by circulating oil.
- Heat removed through the housing.

Heat Dissipation by Circulating Oil

Heat dissipated by a circulating oil system is:

$$Q_{oil} = k_5 \times f \times (\theta_o - \theta_i)$$

If a circulating lubricant other than petroleum oil is used, the heat carried away by that lubricant will be:

$$Q_{oil} = k_6 \times C_p \times \rho \times f \times (\theta_o - \theta_i)$$

Where:

- k_5 = dimensional factor to calculate heat carried away by a petroleum oil
 $k_5 = 28$ for Q_{oil} in W when f in L/min and θ in °C
 $k_5 = 0.42$ for Q_{oil} in Btu/min when f in U.S. pt/min and θ in °F

- k_6 = dimensional factor to calculate heat carried away by a circulating fluid
 $k_6 = 1.67 \times 10^{-5}$ for Q_{oil} in W
 $k_6 = 1.67 \times 10^{-2}$ for Q_{oil} in Btu/min

- Q_{oil} = heat dissipation rate of circulating oil W, Btu/min
- θ_i = oil inlet temperature °C, °F
- θ_o = oil outlet temperature °C, °F
- C_p = specific heat of lubricant J/(kg x °C), Btu/(lb x °F)
- f = lubricant flow rate L/min, U.S. pt/min
- ρ = lubricant density kg/m³, lb/ft³

If lubricant flow is unrestricted on the outlet side of a bearing, the flow rate that can freely pass through the bearing depends on bearing size and internal geometry, direction of oil flow, bearing speed and lubricant properties.

A tapered roller bearing has a natural tendency to pump oil from the small end to the large end of the rollers. For maximum oil flow and heat dissipation, the oil inlet should be adjacent to the small end of the rollers.

In a splash or oil level lubrication system, heat will be carried by convection to the inner walls of the housing. The heat dissipation rate with this lubrication method can be enhanced by using cooling coils in the housing sump.

Heat Dissipation Through Housing

Heat removed through the housing is, in most cases, difficult to determine analytically. If the steady-state bearing temperature is known for one operating condition, the following method can be used to estimate the housing heat dissipation rate.

At the steady-state temperature, the total heat dissipation rate from the bearing must equal the heat generation rate of the bearing. The difference between the heat generation rate and heat dissipation rate of the oil is the heat dissipation rate of the housing at the known temperature.

Heat losses from housings are primarily by conduction and convection and are therefore nearly linearly related to temperature difference. Thus, the housing heat dissipation rate is:

$$Q_{hsg} = C (\theta_o - \theta_{ambt})$$

At the operating condition where the steady-state temperature is known, the housing heat dissipation factor can be estimated as:

$$C = \frac{Q_{gen} - Q_{oil}}{\theta_o - \theta_{ambt}}$$

BALL BEARINGS

Heat Generation

Low operating temperatures, combined with adequate spindle rigidity, are important and highly desirable for precision machine tools. This is particularly true for high-speed grinding spindles where the preload of the bearings is the principal load imposed upon them. Some of the benefits derived from low operating temperatures are better dimensional stability of the processed work, less need for bearing lubrication, prevention of objectionable heat at the external surfaces of the spindle housing, and elimination of troubles due to thermal effects on mounting fits and preloads.

Preload and Heat Generation

The heat developed at the bearings under load is a function of the operating speed and the bearing preload. Preloading is necessary for maximum axial and radial rigidity. Unfortunately, if speeds are increased, the bearing preload may have to be lessened to maintain proper operating temperatures at the bearing.

For high-speed operation, the bearing preload should be sufficient to maintain proper rolling friction for the balls, but not so high as to generate excessive heat. In cases where lower operating speeds are desired, bearing preloads may be increased to obtain additional bearing rigidity, provided the proper operating temperatures are maintained. Thus, a balance between heat generation and spindle rigidity dictates the amount of bearing preload that is used, commensurate with the operational speed and the bearing life required.

How bearing preload affects the operating temperature is illustrated in Figure 69. This graph applies to 207-size, angular contact, duplexed super precision ball bearings, mounted back-to-back. Curve A is a plot of operating temperature at the bearing outside diameter for the speeds indicated, using bearings with

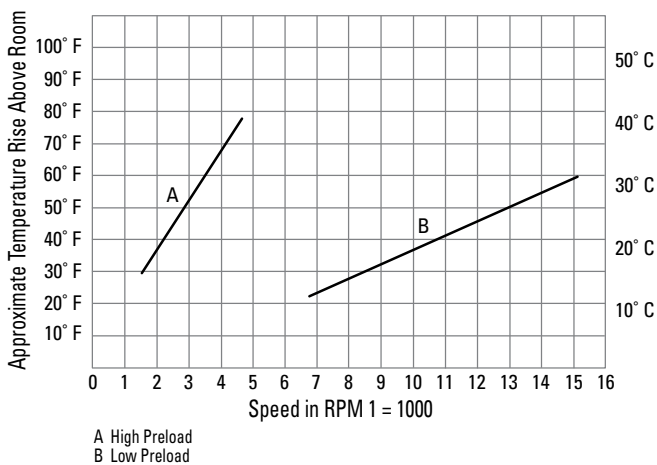


Fig. 69. Effect of preload on temperature rise.

a high built-in preload. Curve B is for bearings having a low preload. The slope of Curve A is much steeper than that of Curve B. Using bearings with a high preload, the temperature rise at the bearing outside diameter is 34° C (93° F) when operating at 3600 RPM. For the same temperature rise using bearings with low preload, an operating speed of 15300 RPM is indicated. Therefore, it is evident that for higher-speed operation, the bearing preload should be kept to the minimum necessary to ensure sufficient bearing rigidity.

For workhead spindles, the operating speeds are generally low and the loading conditions heavy. Maximum radial and axial spindle rigidity is required under these loads, making increased bearing preload mandatory.

Bearing Geometry and Heat Generation

It should be noted that a bearing's internal geometry has a major impact on heat generation. High-speed designs, such as the Timken HX Series, incorporate "optimized" internal geometries that balance load-carrying capacity, stiffness and heat generation.

Heat Dissipation

When ball bearing spindles are grease lubricated, the heat generated is removed only by conduction through the surrounding parts. With jet or circulating oil lubrication, generated heat is dissipated by the oil passing through the bearings as well as by conduction through the shaft and housing. Both means of removing heat from the bearings are important, but generally, dissipation through conduction is less obvious.

As an example, in an oil mist-lubricated grinding spindle, the nose or wheel-end bearings are fixed and close to the grinding coolant. The pulley-end or rear bearings are secured axially on the shaft, but permitted to float laterally in the housing to compensate for size variations due to thermal changes. Heat is conducted away from the front bearings at a faster rate because of the thermal mass of the spindle nose and the intimate contact of the outer rings with the housing shoulder, the end cover and the housing bore. This condition, coupled with oil mist lubrication and the proximity of the grinding coolant, takes away generated heat efficiently.

The rear or floating pair of bearings is not so favored. Usually, the thermal mass of the shaft at the drive-end is not so great. The drive-end possesses some heat-conduction ability, but also receives heat generated by belt friction. The absence of grinding coolant and the reduced area of conduction usually results in a slightly higher operating temperature.

TOLERANCES

TAPERED ROLLER BEARINGS

Tapered roller bearings are manufactured to a number of specifications or “classes” that define tolerances on dimensions such as bore, O.D., width and runout. The Timken Company produces bearings in both inch and metric systems. The boundary dimension tolerances applicable to these two categories of bearings differ.

Tapered Roller Bearings - Precision Class				
Timken Metric	C	B	A	AA
Timken Inch	3	0	00	000
ISO/DIN	P5	P4	P2	-
ABMA Metric	C	B	A	-
ABMA Inch	3	0	00	-

Crossed Tapered-Precision Class		
Timken Metric	S	P
Timken Inch	3	0

Table 17. Tapered roller bearing precision classes.

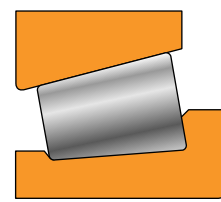
The major difference between the two tolerance systems is that inch bearings have historically been manufactured to positive bore and O.D. tolerances, whereas metric bearings have been manufactured to negative tolerances.

METRIC SYSTEM BEARINGS (ISO AND “J” PREFIX PARTS)

Timken manufactures metric system bearings to four tolerance classes. Classes C, B, A and AA are “precision” classes. These tolerances lie within those currently specified in ISO 492 with the exception of a small number of dimensions indicated in the tables. The differences normally have an insignificant effect on the mounting and performance of tapered roller bearings.

The adjacent table illustrates the current ISO bearing class that corresponds approximately to each of The Timken Company metric bearing classes.

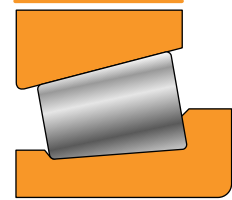
Metric bearing tolerances										
Bearing types ⁽¹⁾	Cone bore		Precision bearing class							
	Bore Over	Incl.	C		B		A		AA	
			Max.	Min.	Max.	Min.	Max.	Min.	Max.	Min.
	mm in.	mm in.	mm in.	mm in.	mm in.	mm in.	mm in.	mm in.	mm in.	mm in.
TS TSF	10.000	18.000	0.000	-0.007	0.000	-0.005	0.000	-0.005	0.000	-0.005
	0.3937	0.7087	0.0000	-0.0003	0.0000	-0.0002	0.0000	-0.0002	0.0000	-0.0002
	18.000	30.000	0.000	-0.008	0.000	-0.006	0.000	-0.006	0.000	-0.006
	0.7087	1.1811	0.0000	-0.0003	0.0000	-0.0002	0.0000	-0.0002	0.0000	-0.0002
	30.000	50.000	0.000	-0.010	0.000	-0.008	0.000	-0.008	0.000	-0.008
	1.1811	1.9685	0.0000	-0.0004	0.0000	-0.0003	0.0000	-0.0003	0.0000	-0.0003
	50.000	80.000	0.000	-0.012	0.000	-0.009	0.000	-0.008	0.000	-0.008
	1.9685	3.1496	0.0000	-0.0005	0.0000	-0.0004	0.0000	-0.0003	0.0000	-0.0003
	80.000	120.000	0.000	-0.015	0.000	-0.010	0.000	-0.008	0.000	-0.008
	3.1496	4.7244	0.0000	-0.0006	0.0000	-0.0004	0.0000	-0.0003	0.0000	-0.0003
	120.000	180.000	0.000	-0.018	0.000	-0.013	0.000	-0.008	0.000	-0.008
	4.7244	7.0866	0.0000	-0.0007	0.0000	-0.0005	0.0000	-0.0003	0.0000	-0.0003
	180.000	250.000	0.000	-0.022	0.000	-0.015	0.000	-0.008	0.000	-0.008
	7.0866	9.8425	0.0000	-0.0009	0.0000	-0.0006	0.0000	-0.0003	0.0000	-0.0003
	250.000	265.000	0.000	-0.022	0.000	-0.015	0.000	-0.008	0.000	-0.008
	9.8425	10.4331	0.0000	-0.0009	0.0000	-0.0006	0.0000	-0.0003	0.0000	-0.0003
	265.000	315.000	0.000	-0.022	0.000	-0.015	0.000	-0.008	0.000	-0.008
	10.4331	12.4016	0.0000	-0.0009	0.0000	-0.0006	0.0000	-0.0003	0.0000	-0.0003
	315.000	400.000	0.000	-0.025	-	-	-	-	-	-
	12.4016	15.7480	0.0000	-0.0010	-	-	-	-	-	-
400.000	500.000	0.000	-0.025	-	-	-	-	-	-	
15.7480	19.6850	0.0000	-0.0010	-	-	-	-	-	-	
500.000	630.000	0.000	-0.030	-	-	-	-	-	-	
19.6850	24.8031	0.0000	-0.0012	-	-	-	-	-	-	
630.000	800.000	0.000	-0.040	-	-	-	-	-	-	
24.8031	31.4961	0.0000	-0.0016	-	-	-	-	-	-	
800.000	1000.000	0.000	-0.050	-	-	-	-	-	-	
31.4961	39.3701	0.0000	-0.0020	-	-	-	-	-	-	
1000.000	1200.000	0.000	-0.060	-	-	-	-	-	-	
39.3701	47.2441	0.0000	-0.0024	-	-	-	-	-	-	
1200.000	1600.000	0.000	-0.080	-	-	-	-	-	-	
47.2441	62.9921	0.0000	-0.0031	-	-	-	-	-	-	



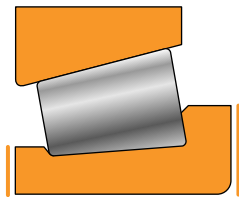
⁽¹⁾Not all types and sizes are listed in this catalog. Contact your Timken representative for further information.

METRIC SYSTEM BEARINGS (ISO AND "J" PREFIX PARTS) - continued

Bearing types ⁽¹⁾		Metric bearing tolerances									
		Cup O.D.		Precision bearing class							
		Over	Incl.	C		B		A		AA	
mm in.	mm in.	Max.	Min.	Max.	Min.	Max.	Min.	Max.	Min.		
TS TSF	10.000 0.3937	18.000 0.7087	-	-	-	-	0.000 0.0000	-0.008 -0.0003	0.000 0.0000	-0.008 -0.0003	
	18.000 0.7087	30.000 1.1811	0.000 0.0000	-0.008 -0.0003	0.000 0.0000	-0.006 -0.0002	0.000 0.0000	-0.008 -0.0003	0.000 0.0000	-0.008 -0.0003	
	30.000 1.1811	50.000 1.9685	0.000 0.0000	-0.009 -0.0004	0.000 0.0000	-0.007 -0.0003	0.000 0.0000	-0.008 -0.0003	0.000 0.0000	-0.008 -0.0003	
	50.000 1.9685	80.000 3.1496	0.000 0.0000	-0.011 -0.0004	0.000 0.0000	-0.009 -0.0004	0.000 0.0000	-0.008 -0.0003	0.000 0.0000	-0.008 -0.0003	
	80.000 3.1496	120.000 4.7244	0.000 0.0000	-0.013 -0.0005	0.000 0.0000	-0.010 -0.0004	0.000 0.0000	-0.008 -0.0003	0.000 0.0000	-0.008 -0.0003	
	120.000 4.7244	150.000 5.9055	0.000 0.0000	-0.015 -0.0006	0.000 0.0000	-0.011 -0.0004	0.000 0.0000	-0.008 -0.0003	0.000 0.0000	-0.008 -0.0003	
	150.000 5.9055	180.000 7.0866	0.000 0.0000	-0.018 -0.0007	0.000 0.0000	-0.013 -0.0005	0.000 0.0000	-0.008 -0.0003	0.000 0.0000	-0.008 -0.0003	
	180.000 7.0866	250.000 9.8425	0.000 0.0000	-0.020 -0.0008	0.000 0.0000	-0.015 -0.0006	0.000 0.0000	-0.008 -0.0003	0.000 0.0000	-0.008 -0.0003	
	250.000 9.8425	265.000 10.4331	0.000 0.0000	-0.025 -0.0010	0.000 0.0000	-0.018 -0.0007	0.000 0.0000	-0.008 -0.0003	0.000 0.0000	-0.008 -0.0003	
	265.000 10.4331	315.000 12.4016	0.000 0.0000	-0.025 -0.0010	0.000 0.0000	-0.018 -0.0007	0.000 0.0000	-0.008 -0.0003	0.000 0.0000	-0.008 -0.0003	
	315.000 12.4016	400.000 15.7480	0.000 0.0000	-0.028 -0.0011	0.000 0.0000	-0.020 -0.0008	-	-	-	-	
	400.000 15.7480	500.000 19.6850	0.000 0.0000	-0.030 -0.0012	-	-	-	-	-	-	
	500.000 19.6850	630.000 24.8031	0.000 0.0000	-0.035 -0.0014	-	-	-	-	-	-	
	630.000 24.8031	800.000 31.4961	0.000 0.0000	-0.040 -0.0016	-	-	-	-	-	-	
	800.000 31.4961	1000.000 39.3701	0.000 0.0000	-0.050 -0.0020	-	-	-	-	-	-	
	1000.000 39.3701	1200.000 47.2441	0.000 0.0000	-0.060 -0.0024	-	-	-	-	-	-	
	1200.000 47.2441	1600.000 62.9921	0.000 0.0000	-0.080 -0.0031	-	-	-	-	-	-	

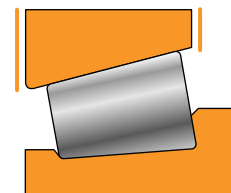


Bearing types ⁽¹⁾		Metric bearing tolerances									
		Cone width		Precision bearing class							
		Over	Incl.	C		B		A		AA	
mm in.	mm in.	Max.	Min.	Max.	Min.	Max.	Min.	Max.	Min.		
TS TSF	10.000 0.3937	50.000 1.9685	0.000 0.0000	-0.200 -0.0079	0.000 0.0000	-0.200 -0.0079	0.000 0.0000	-0.200 -0.0079	0.000 0.0000	-0.200 -0.0079	
	50.000 1.9685	120.000 4.7244	0.000 0.0000	-0.300 -0.0118	0.000 0.0000	-0.300 -0.0118	0.000 0.0000	-0.300 -0.0118	0.000 0.0000	-0.300 -0.0118	
	120.000 4.7244	180.000 7.0866	0.000 0.0000	-0.300 -0.0118	0.000 0.0000	-0.300 -0.0118	0.000 0.0000	-0.300 -0.0118	0.000 0.0000	-0.300 -0.0118	
	180.000 7.0866	250.000 9.8425	0.000 0.0000	-0.350 -0.0138	0.000 0.0000	-0.350 -0.0138	0.000 0.0000	-0.350 -0.0138	0.000 0.0000	-0.350 -0.0138	
	250.000 9.8425	265.000 10.4331	0.000 0.0000	-0.350 -0.0138	0.000 0.0000	-0.350 -0.0138	0.000 0.0000	-0.350 -0.0138	0.000 0.0000	-0.350 -0.0138	
	265.000 10.4331	315.000 12.4016	0.000 0.0000	-0.350 -0.0138	0.000 0.0000	-0.350 -0.0138	0.000 0.0000	-0.350 -0.0138	0.000 0.0000	-0.350 -0.0138	
	315.000 12.4016	500.000 19.6850	0.000 0.0000	-0.350 -0.0138	-	-	-	-	-	-	
	500.000 19.6850	630.000 24.8031	0.000 0.0000	-0.350 -0.0138	-	-	-	-	-	-	
	630.000 24.8031	1200.000 47.2441	0.000 0.0000	-0.350 -0.0138	-	-	-	-	-	-	
	1200.000 47.2441	1600.000 62.9921	0.000 0.0000	-0.350 -0.0138	-	-	-	-	-	-	

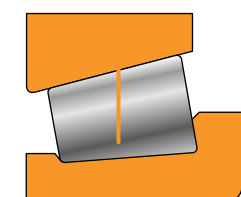


⁽¹⁾Not all types and sizes are listed in this catalog. Contact your Timken representative for further information.

Metric bearing tolerances										
Bearing types ⁽¹⁾	Cup width		Precision bearing class							
	Cup O.D. Over	Incl.	C		B		A		AA	
			Max.	Min.	Max.	Min.	Max.	Min.	Max.	Min.
	mm in.	mm in.	mm in.	mm in.	mm in.	mm in.	mm in.	mm in.	mm in.	mm in.
TS TSF	10.000	80.000	0.000	-0.150	0.000	-0.150	0.000	-0.150	0.000	-0.150
	0.3937	3.1496	0.0000	-0.0059	0.0000	-0.0059	0.0000	-0.0059	0.0000	-0.0059
	80.000	150.000	0.000	-0.200	0.000	-0.200	0.000	-0.200	0.000	-0.200
	3.1496	5.9055	0.0000	-0.0079	0.0000	-0.0079	0.0000	-0.0079	0.0000	-0.0079
	150.000	180.000	0.000	-0.250	0.000	-0.250	0.000	-0.250	0.000	-0.250
	5.9055	7.0866	0.0000	-0.0098	0.0000	-0.0098	0.0000	-0.0098	0.0000	-0.0098
	180.000	250.000	0.000	-0.250	0.000	-0.250	0.000	-0.250	0.000	-0.250
	7.0866	9.8425	0.0000	-0.0098	0.0000	-0.0098	0.0000	-0.0098	0.0000	-0.0098
	250.000	265.000	0.000	-0.300	0.000	-0.300	0.000	-0.300	0.000	-0.300
	9.8425	10.4331	0.0000	-0.0118	0.0000	-0.0118	0.0000	-0.0118	0.0000	-0.0118
	265.000	315.000	0.000	-0.300	0.000	-0.300	0.000	-0.300	0.000	-0.300
	10.4331	12.4016	0.0000	-0.0118	0.0000	-0.0118	0.0000	-0.0118	0.0000	-0.0118
315.000	400.000	0.000	-0.300	0.000	-0.300	-	-	-	-	
12.4016	15.7480	0.0000	-0.0118	0.0000	-0.0118	-	-	-	-	
400.000	500.000	0.000	-0.350	-	-	-	-	-	-	
15.7480	19.6850	0.0000	-0.0138	-	-	-	-	-	-	
500.000	800.000	0.000	-0.350	-	-	-	-	-	-	
19.6850	31.4961	0.0000	-0.0138	-	-	-	-	-	-	
800.000	1200.000	0.000	-0.400	-	-	-	-	-	-	
31.4961	47.2441	0.0000	-0.0157	-	-	-	-	-	-	
1200.000	1600.000	0.000	-0.400	-	-	-	-	-	-	
47.2441	62.9921	0.0000	-0.0157	-	-	-	-	-	-	

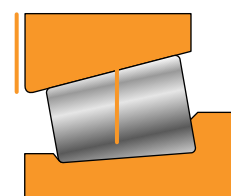


Metric bearing tolerances										
Bearing types ⁽¹⁾	Cone stand		Precision bearing class							
	Bore Over	Incl.	C		B		A		AA	
			Max.	Min.	Max.	Min.	Max.	Min.	Max.	Min.
	mm in.	mm in.	mm in.	mm in.	mm in.	mm in.	mm in.	mm in.	mm in.	mm in.
TS TSF	10.000	80.000	+0.100	-0.100						
	0.3937	3.1496	+0.0039	-0.0039						
	80.000	120.000	+0.100	-0.100						
	3.1496	4.7244	+0.0039	-0.0039						
	120.000	180.000	+0.100	-0.100	(2)	(2)	(2)	(2)	(2)	(2)
	4.7244	7.0866	+0.0039	-0.0039						
	180.000	250.000	+0.100	-0.150						
	7.0866	9.8425	+0.0039	-0.0059						
	250.000	265.000	+0.100	-0.150						
	9.8425	10.4331	+0.0039	-0.0059						
	265.000	315.000	+0.100	-0.150						
	10.4331	12.4016	+0.0039	-0.0059						
315.000	400.000	+0.150	-0.150	-	-	-	-	-	-	
12.4016	15.7480	+0.0059	-0.0059	-	-	-	-	-	-	
400.000	-	(2)	(2)	-	-	-	-	-	-	
15.7480	-			-	-	-	-	-	-	



Cone Stand. Cone stand is a measure of the variation in cone raceway size, taper and roller crank diameter. This is checked by measuring the axial location of the reference surface of a master cup or other type gage with respect to the reference cone face.

Metric bearing tolerances										
Bearing types ⁽¹⁾	Cup stand		Precision bearing class							
	Bore Over	Incl.	C		B		A		AA	
			Max.	Min.	Max.	Min.	Max.	Min.	Max.	Min.
	mm in.	mm in.	mm in.	mm in.	mm in.	mm in.	mm in.	mm in.	mm in.	mm in.
TS TSF ⁽³⁾	10.000	18.000	+0.100	-0.100						
	0.3937	0.7087	+0.0039	-0.0039						
	18.000	80.000	+0.100	-0.100						
	0.7087	3.1496	+0.0039	-0.0039	(2)	(2)	(2)	(2)	(2)	(2)
	80.000	120.000	+0.100	-0.100						
	3.1496	4.7244	+0.0039	-0.0039						
	120.000	265.000	+0.100	-0.150						
	4.7244	10.4331	+0.0039	-0.0059						
	265.000	315.000	+0.100	-0.150						
	10.4331	12.4016	+0.0039	-0.0059						
	315.000	400.000	+0.100	-0.150	-	-	-	-	-	-
	12.4016	15.7480	+0.0039	-0.0059	-	-	-	-	-	-
400.000	-	(2)	(2)	-	-	-	-	-	-	
15.7480	-			-	-	-	-	-	-	



Cup Stand. Cup stand is a measure of the variation in cup I.D. size and taper. This is checked by measuring the axial location of the reference surface of a master plug or other type gage with respect to the reference face of the cup.

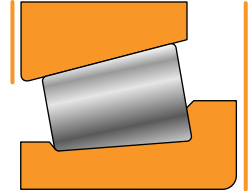
⁽¹⁾Not all types and sizes are listed in this catalog. Contact your Timken representative for further information.

⁽²⁾These sizes manufactured as matched assemblies only.

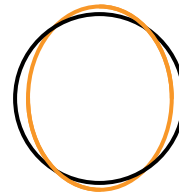
⁽³⁾Stand for flanged cup is measured from flange backface (seating face).

METRIC SYSTEM BEARINGS (ISO AND "J" PREFIX PARTS) - continued

Bearing types ⁽¹⁾		Metric bearing tolerances									
		Overall bearing width		Precision bearing class							
		Bore Over	Incl.	C		B		A		AA	
Max.	Min.			Max.	Min.	Max.	Min.	Max.	Min.		
mm in.	mm in.	mm in.	mm in.	mm in.	mm in.	mm in.	mm in.	mm in.	mm in.	mm in.	
TS TSF ⁽²⁾	10.000	80.000	+0.200	-0.200	+0.200	-0.200	+0.200	-0.200	+0.200	-0.200	
	0.3937	3.1496	+0.0079	-0.0079	+0.0079	-0.0079	+0.0079	-0.0079	+0.0079	-0.0079	
	80.000	120.000	+0.200	-0.200	+0.200	-0.200	+0.200	-0.200	+0.200	-0.200	
	3.1496	4.7244	+0.0079	-0.0079	+0.0079	-0.0079	+0.0079	-0.0079	+0.0079	-0.0079	
	120.000	180.000	+0.350	-0.250	+0.200	-0.250	+0.200	-0.250	+0.200	-0.250	
	4.7244	7.0866	+0.0138	-0.0098	+0.0079	-0.0098	+0.0079	-0.0098	+0.0079	-0.0098	
	180.000	250.000	+0.350	-0.250	+0.200	-0.300	+0.200	-0.300	+0.200	-0.300	
	7.0866	9.8425	+0.0138	-0.0098	+0.0079	-0.0118	+0.0079	-0.0118	+0.0079	-0.0118	
	250.000	265.000	+0.350	-0.300	+0.200	-0.300	+0.200	-0.300	+0.200	-0.300	
	9.8425	10.4331	+0.0138	-0.0118	+0.0079	-0.0118	+0.0079	-0.0118	+0.0079	-0.0118	
	265.000	315.000	+0.350	-0.300	+0.200	-0.300	+0.200	-0.300	+0.200	-0.300	
	10.4331	12.4016	+0.0138	-0.0118	+0.0079	-0.0118	+0.0079	-0.0118	+0.0079	-0.0118	
	315.000	500.000	+0.350	-0.300	-	-	-	-	-	-	
	12.4016	19.6850	+0.0138	-0.0118	-	-	-	-	-	-	
	500.000	800.000	+0.350	-0.400	-	-	-	-	-	-	
	19.6850	31.4961	+0.0138	-0.0157	-	-	-	-	-	-	
	800.000	1000.000	+0.350	-0.400	-	-	-	-	-	-	
	31.4961	39.3701	+0.0138	-0.0157	-	-	-	-	-	-	
	1000.000	1200.000	+0.350	-0.450	-	-	-	-	-	-	
	39.3701	47.2441	+0.0138	-0.0177	-	-	-	-	-	-	
1200.000	1600.000	+0.350	-0.500	-	-	-	-	-	-		
47.2441	62.9921	+0.0138	-0.0197	-	-	-	-	-	-		



Bearing types ⁽¹⁾		Metric bearing tolerances					
		Assembled bearing maximum radial runout		Precision bearing class			
		Bore Over	Incl.	C	B	A	AA
mm in.	mm in.						
TS TSF	10.000	18.000	0.005	0.003	0.002	0.001	
	0.3937	0.7087	-	0.0001	0.00008	0.00004	
	18.000	30.000	0.005	0.003	0.002	0.001	
	0.7087	1.1811	0.0002	0.0001	0.00008	0.00004	
	30.000	50.000	0.006	0.003	0.002	0.001	
	1.1811	1.9685	0.0002	0.0001	0.00008	0.00004	
	50.000	80.000	0.006	0.004	0.002	0.001	
	1.9685	3.1496	0.0002	0.0002	0.00008	0.00004	
	80.000	120.000	0.006	0.004	0.002	0.001	
	3.1496	4.7244	0.0002	0.0002	0.00008	0.00004	
	120.000	150.000	0.007	0.004	0.002	0.001	
	4.7244	5.9055	0.0003	0.0002	0.00008	0.00004	
	150.000	180.000	0.008	0.004	0.002	0.001	
	5.9055	7.0866	0.0003	0.0002	0.00008	0.00004	
	180.000	250.000	0.010	0.005	0.002	0.001	
	7.0866	9.8425	0.0004	0.0002	0.00008	0.00004	
	250.000	265.000	0.011	0.005	0.002	0.001	
	9.8425	10.4331	0.0004	0.0002	0.00008	0.00004	
	265.000	315.000	0.011	0.005	0.002	0.001	
	10.4331	12.4016	0.0004	0.0002	0.00008	0.00004	
	315.000	400.000	0.013	0.005	-	-	
	12.4016	15.7480	0.0005	0.0002	-	-	
	400.000	500.000	0.018	-	-	-	
	15.7480	19.6850	0.0007	-	-	-	
	500.000	630.000	0.025	-	-	-	
	19.6850	24.8031	0.0010	-	-	-	
	630.000	800.000	0.035	-	-	-	
	24.8031	31.4961	0.0014	-	-	-	
	800.000	1000.000	0.050	-	-	-	
	31.4961	39.3701	0.0020	-	-	-	
1000.000	1200.000	0.060	-	-	-		
39.3701	47.2441	0.0024	-	-	-		
1200.000	1600.000	0.080	-	-	-		
47.2441	62.9921	0.0031	-	-	-		



Runout. Runout is a measure of rotational accuracy expressed by Total Indicator Reading (T.I.R.). Total displacement is measured by an instrument sensing against a moving surface, or moved with respect to a fixed surface. A radial runout measurement includes both roundness errors and the centering error of the surface that the instrument head senses against.

⁽¹⁾Not all types and sizes are listed in this catalog. Contact your Timken representative for further information.
⁽²⁾For bearing type TSF, the tolerance applies to the dimension T₁.

METRIC SYSTEM BEARINGS (TXR PREFIX PARTS)

Metric bearing tolerances						
Bearing types	Outer race O.D.		Precision bearing class			
	Over	Incl.	S		P	
			Max.	Min.	Max.	Min.
	mm in.	mm in.	mm in.	mm in.	mm in.	mm in.
TXR	18.000	30.000	0.000	-0.010	0.000	-0.008
	0.7087	1.1811	0.0000	-0.0004	0.0000	-0.0003
	30.000	50.000	0.000	-0.013	0.000	-0.010
	1.1811	1.9685	0.0000	-0.0005	0.0000	-0.0004
	50.000	80.000	0.000	-0.015	0.000	-0.010
	1.9685	3.1496	0.0000	-0.0006	0.0000	-0.0004
	80.000	120.000	0.000	-0.020	0.000	-0.013
	3.1496	4.7244	0.0000	-0.0008	0.0000	-0.0005
	120.000	180.000	0.000	-0.025	0.000	-0.013
	4.7244	7.0866	0.0000	-0.0010	0.0000	-0.0005
	180.000	250.000	0.000	-0.030	0.000	-0.015
	7.0866	9.8425	0.0000	-0.0012	0.0000	-0.0006
	250.000	400.000	0.000	-0.040	0.000	-0.020
	9.8425	15.7480	0.0000	-0.0016	0.0000	-0.0008
	400.000	630.000	0.000	-0.050	0.000	-0.025
	15.7480	24.8031	0.0000	-0.0020	0.0000	-0.0010
	630.000	800.000	0.000	-0.060	-	-
	24.8031	31.4961	0.0000	-0.0024	-	-
	800.000	1000.000	0.000	-0.080	-	-
	31.4961	39.3701	0.0000	-0.0031	-	-
1000.000	1200.000	0.000	-0.100	-	-	
39.3701	47.2441	0.0000	-0.0039	-	-	
1200.000	1600.000	0.000	-0.120	-	-	
47.2441	62.9921	0.0000	-0.0047	-	-	
1600.000	2000.000	0.000	-0.140	-	-	
62.9921	78.7402	0.0000	-0.0055	-	-	
2000.000	-	0.000	-0.140	-	-	
78.7402	-	0.0000	-0.0055	-	-	

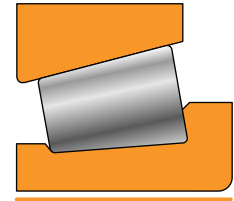
Metric bearing tolerances						
Bearing types	Inner race bore		Precision bearing class			
	Over	Incl.	S		P	
			Max.	Min.	Max.	Min.
	mm in.	mm in.	mm in.	mm in.	mm in.	mm in.
TXR	10.000	50.000	0.000	-0.013	0.000	-0.010
	0.3937	1.9685	0.0000	-0.0005	0.0000	-0.0004
	50.000	80.000	0.000	-0.015	0.000	-0.013
	1.9685	3.1496	0.0000	-0.0006	0.0000	-0.0005
	80.000	120.000	0.000	-0.020	0.000	-0.013
	3.1496	4.7244	0.0000	-0.0008	0.0000	-0.0005
	120.000	180.000	0.000	-0.025	0.000	-0.013
	4.7244	7.0866	0.0000	-0.0010	0.0000	-0.0005
	180.000	250.000	0.000	-0.030	0.000	-0.015
	7.0866	9.8425	0.0000	-0.0012	0.0000	-0.0006
	250.000	315.000	0.000	-0.035	0.000	-0.018
	9.8425	12.4016	0.0000	-0.0014	0.0000	-0.0007
	315.000	400.000	0.000	-0.040	0.000	-0.020
	12.4016	15.7480	0.0000	-0.0016	0.0000	-0.0008
	400.000	500.000	0.000	-0.045	0.000	-0.025
	15.7480	19.6850	0.0000	-0.0018	0.0000	-0.0010
	500.000	630.000	0.000	-0.050	0.000	-0.030
	19.6850	24.8031	0.0000	-0.0020	0.0000	-0.0012
	630.000	800.000	0.000	-0.060	-	-
	24.8031	31.4961	0.0000	-0.0024	-	-
800.000	1000.000	0.000	-0.080	-	-	
31.4961	39.3701	0.0000	-0.0031	-	-	
1000.000	1200.000	0.000	-0.100	-	-	
39.3701	47.2441	0.0000	-0.0039	-	-	
1200.000	1600.000	0.000	-0.120	-	-	
47.2441	62.9921	0.0000	-0.0047	-	-	
1600.000	2000.000	0.000	-0.140	-	-	
62.9921	78.7402	0.0000	-0.0055	-	-	
2000.000	-	0.000	-0.140	-	-	
78.7402	-	0.0000	-0.0055	-	-	

TOLERANCES – continued

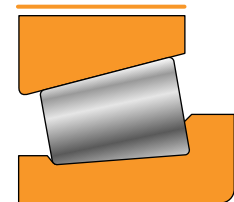
INCH SYSTEM BEARINGS

Inch system bearings are manufactured to a number of tolerance classes. Classes 3, 0, 00 and 000 are “precision” classes.

Inch bearing tolerances										
Bearing types ⁽¹⁾	Cone bore		Precision bearing class							
	Over	Incl.	3		0		00		000	
			Max.	Min.	Max.	Min.	Max.	Min.	Max.	Min.
	mm in.	mm in.	mm in.	mm in.	mm in.	mm in.	mm in.	mm in.	mm in.	mm in.
TS TSF TSL ⁽²⁾ TDI TDIT TDO TNA	0.000	76.200	+0.013	0.000	+0.013	0.000	+0.008	0.000	+0.008	0.000
	0.0000	3.0000	+0.0005	0.0000	+0.0005	0.0000	+0.0003	0.0000	+0.0003	0.0000
	76.200	304.800	+0.013	0.000	+0.013	0.000	+0.008	0.000	+0.008	0.000
	3.0000	12.0000	+0.0005	0.0000	+0.0005	0.0000	+0.0003	0.0000	+0.0003	0.0000
	304.800	609.600	+0.025	0.000	-	-	-	-	-	-
	12.0000	24.0000	+0.0010	0.0000	-	-	-	-	-	-
	609.600	914.400	+0.038	0.000	-	-	-	-	-	-
	24.0000	36.0000	+0.0015	0.0000	-	-	-	-	-	-
	914.400	1219.200	+0.051	0.000	-	-	-	-	-	-
	36.0000	48.0000	+0.0020	0.0000	-	-	-	-	-	-
1219.200		+0.076	0.000	-	-	-	-	-	-	
48.0000		+0.0030	0.0000	-	-	-	-	-	-	



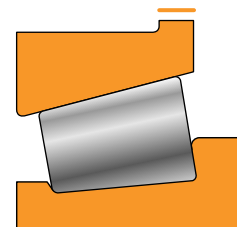
Inch bearing tolerances										
Bearing types ⁽¹⁾	Cup O.D.		Precision bearing class							
	Over	Incl.	3		0		00		000	
			Max.	Min.	Max.	Min.	Max.	Min.	Max.	Min.
	mm in.	mm in.	mm in.	mm in.	mm in.	mm in.	mm in.	mm in.	mm in.	mm in.
TS TSF TSL TDI TDIT TDO TNA TNASW TNASWE	0.000	304.800	+0.013	0.000	+0.013	0.000	+0.008	0.000	+0.008	0.000
	0.0000	12.0000	+0.0005	0.0000	+0.0005	0.0000	+0.0003	0.0000	+0.0003	0.0000
	304.800	609.600	+0.025	0.000	+0.013	0.000	+0.008	0.000	+0.008	0.000
	12.0000	24.0000	+0.0010	0.0000	+0.0005	0.0000	+0.0003	0.0000	+0.0003	0.0000
	609.600	914.400	+0.038	0.000	-	-	-	-	-	-
	24.0000	36.0000	+0.0015	0.0000	-	-	-	-	-	-
	914.400	1219.200	+0.051	0.000	-	-	-	-	-	-
	36.0000	48.0000	+0.0020	0.0000	-	-	-	-	-	-
	1219.200		+0.076	0.000	-	-	-	-	-	-
	48.0000		+0.0030	0.0000	-	-	-	-	-	-



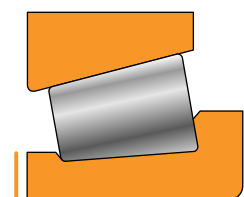
⁽¹⁾Not all types and sizes are listed in this catalog. Contact your Timken representative for further information.

⁽²⁾For TSL bearings these are the normal tolerances of cone bore. However, bore size can be slightly reduced at large end due to tight fit assembly of the seal on the rib. This should not have any effect on the performance of the bearing.

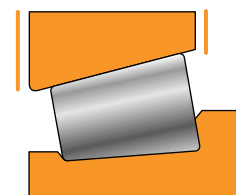
Inch bearing tolerances										
Cup flange O.D.			Precision bearing class							
Bearing types ⁽¹⁾	Cup O.D.		3		0		00		000	
	Over	Incl.	Max.	Min.	Max.	Min.	Max.	Min.	Max.	Min.
	mm in.	mm in.	mm in.	mm in.	mm in.	mm in.	mm in.	mm in.	mm in.	mm in.
TSF	0.000	304.800	+0.051	0.000	+0.051	0.000	+0.051	0.000	+0.051	0.000
	0.0000	12.0000	+0.0020	0.0000	+0.0020	0.0000	+0.0020	0.0000	+0.0020	0.0000
	304.800	609.600	+0.076	0.000	+0.051	0.000	+0.051	0.000	+0.051	0.000
	12.0000	24.0000	+0.0030	0.0000	+0.0020	0.0000	+0.0020	0.0000	+0.0020	0.0000
	609.600	914.400	+0.102	0.000	-	-	-	-	-	-
	24.0000	36.0000	+0.0040	0.0000	-	-	-	-	-	-
	914.400		+0.127	0.000	-	-	-	-	-	-
	36.0000		+0.0050	0.0000	-	-	-	-	-	-



Inch bearing tolerances										
Cone width			Precision bearing class							
Bearing types ⁽¹⁾	Bore		3		0		00		000	
	Over	Incl.	Max.	Min.	Max.	Min.	Max.	Min.	Max.	Min.
	mm in.	mm in.	mm in.	mm in.	mm in.	mm in.	mm in.	mm in.	mm in.	mm in.
TS	All sizes		+0.076	-0.254	+0.076	-0.254	+0.076	-0.254	+0.076	-0.254
TSF			+0.0030	-0.0100	+0.0030	-0.0100	+0.0030	-0.0100	+0.0030	-0.0100
TSL										
TDI										
TDIT										
TDO										



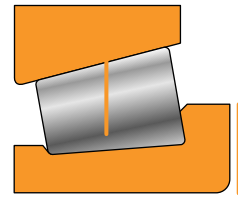
Inch bearing tolerances										
Cup width			Precision bearing class							
Bearing types ⁽¹⁾	Bore		3		0		00		000	
	Over	Incl.	Max.	Min.	Max.	Min.	Max.	Min.	Max.	Min.
	mm in.	mm in.	mm in.	mm in.	mm in.	mm in.	mm in.	mm in.	mm in.	mm in.
All types	All sizes		+0.051	-0.254	+0.051	-0.254	+0.051	-0.254	+0.051	-0.254
				+0.0020	-0.0100	+0.0020	-0.0100	+0.0020	-0.0100	+0.0020



⁽¹⁾Not all types and sizes are listed in this catalog. Contact your Timken representative for further information.

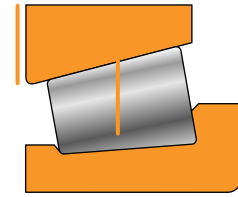
INCH SYSTEM BEARINGS - continued

		Inch bearing tolerances								
Cone stand		Precision bearing class								
Bearing types ⁽¹⁾	Bore		3		0		00		000	
	Over	Incl.	Max.	Min.	Max.	Min.	Max.	Min.	Max.	Min.
	mm in.	mm in.	mm in.	mm in.	mm in.	mm in.	mm in.	mm in.	mm in.	mm in.
TS TSF TSL TDI TDIT TDO	0.000	101.600	+0.102	-0.102						
	0.0000	4.0000	+0.0040	-0.0040						
	101.600	266.700	+0.102	-0.102	(2)	(2)	(2)	(2)	(2)	(2)
	4.0000	10.5000	+0.0040	-0.0040						
	266.700	304.800	+0.102	-0.102						
	10.5000	12.0000	+0.0040	-0.0040						
	304.800	406.400	+0.102	-0.102	-	-	-	-	-	-
	12.0000	16.0000	+0.0040	-0.0040	-	-	-	-	-	-
	406.400		(2)	(2)	-	-	-	-	-	-
	16.0000				-	-	-	-	-	-



Cone Stand. Cone stand is a measure of the variation in cone raceway size, taper and roller diameter. This is checked by measuring the axial location of the reference surface of a master cup or other type gage with respect to the reference cone face.

		Inch bearing tolerances								
Cup stand		Precision bearing class								
Bearing types ⁽¹⁾	Bore		3		0		00		000	
	Over	Incl.	Max.	Min.	Max.	Min.	Max.	Min.	Max.	Min.
	mm in.	mm in.	mm in.	mm in.	mm in.	mm in.	mm in.	mm in.	mm in.	mm in.
TS TSF ⁽³⁾ TSL TDI TDIT	0.000	101.600	+0.102	-0.102						
	0.0000	4.0000	+0.0040	-0.0040						
	101.600	266.700	+0.102	-0.102	(2)	(2)	(2)	(2)	(2)	(2)
	4.0000	10.5000	+0.0040	-0.0040						
	266.700	304.800	+0.102	-0.102						
	10.5000	12.0000	+0.0040	-0.0040						
	304.800	406.400	+0.102	-0.102	-	-	-	-	-	-
	12.0000	16.0000	+0.0040	-0.0040	-	-	-	-	-	-
	406.400		(2)	(2)	-	-	-	-	-	-
	16.0000				-	-	-	-	-	-



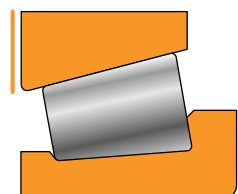
Cup Stand. Cup stand is a measure of the variation in cup I.D. size and taper. This is checked by measuring the axial location of the reference surface of a master plug or other type gage with respect to the reference face of the cup.

⁽¹⁾Not all types and sizes are listed in this catalog. Please contact your Timken representative for further information.

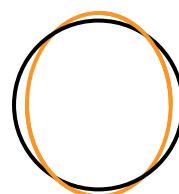
⁽²⁾These sizes manufactured as matched assemblies only.

⁽³⁾Stand for flanged cup is measured from flange backface (seating face).

Inch bearing tolerances												
Overall bearing width				Bearing class								
Bearing types ⁽¹⁾	Bore		O.D.		3		0		00		000	
	Over	Incl.	Over	Incl.	Max.	Min.	Max.	Min.	Max.	Min.	Max.	Min.
	mm in.	mm in.	mm in.	mm in.	mm in.	mm in.	mm in.	mm in.	mm in.	mm in.	mm in.	mm in.
TS TSF ⁽²⁾ TSL	0.000	101.600	-	-	+0.203	-0.203	+0.203	-0.203	+0.203	-0.203	+0.203	-0.203
	0.0000	4.0000	-	-	+0.0080	-0.0080	+0.0080	-0.0080	+0.0080	-0.0080	+0.0080	-0.0080
	101.600	304.800	-	-	+0.203	-0.203	+0.203	-0.203	+0.203	-0.203	+0.203	-0.203
	4.0000	12.0000	-	-	+0.0080	-0.0080	+0.0080	-0.0080	+0.0080	-0.0080	+0.0080	-0.0080
	304.800	609.600	0.000	508.000	+0.203	-0.203	-	-	-	-	-	-
	12.0000	24.0000	0.0000	20.0000	+0.0080	-0.0080	-	-	-	-	-	-
	609.600	24.0000	508.000	20.0000	+0.381	-0.381	-	-	-	-	-	-
TNA TNASW TNASWE	0.000	127.000	-	-	+0.254	0.000	-	-	-	-	-	-
	0.0000	5.0000	-	-	+0.0100	0.0000	-	-	-	-	-	-
	127.000	5.0000	-	-	+0.762	0.000	-	-	-	-	-	-
TDI TDIT TDO	0.000	101.600	-	-	+0.406	-0.406	+0.406	-0.406	+0.406	-0.406	+0.406	-0.406
	0.0000	4.0000	-	-	+0.0160	-0.0160	+0.0160	-0.0160	+0.0160	-0.0160	+0.0160	-0.0160
	101.600	304.800	-	-	+0.406	-0.406	+0.406	-0.406	+0.406	-0.406	+0.406	-0.406
	4.0000	12.0000	-	-	+0.0160	-0.0160	+0.0160	-0.0160	+0.0160	-0.0160	+0.0160	-0.0160
	304.800	609.600	0.000	508.000	+0.406	-0.406	-	-	-	-	-	-
	12.0000	24.0000	0.0000	20.0000	+0.0160	-0.0160	-	-	-	-	-	-
	609.600	24.0000	508.000	20.0000	+0.762	-0.762	-	-	-	-	-	-



Inch bearing tolerances						
Assembled bearing maximum radial runout			Bearing class			
Bearing types ⁽¹⁾	Cup O.D.		3	0	00	000
	Over	Incl.				
	mm in.	mm in.	mm in.	mm in.	mm in.	mm in.
TS	0.000	266.700	0.008	0.004	0.002	0.001
	0.0000	10.5000	0.0003	0.00015	0.000075	0.000040
TSF	266.700	304.800	0.008	0.004	0.002	0.001
	10.5000	12.0000	0.0003	0.00015	0.000075	0.000040
TSL	304.800	609.600	0.018	-	-	-
	12.0000	24.0000	0.0007	-	-	-
TDI	609.600	914.400	0.051	-	-	-
	24.0000	36.0000	0.0020	-	-	-
TDIT	914.400	36.0000	0.076	-	-	-
	36.0000	0.0030	-	-	-	-



Runout. Runout is a measure of rotational accuracy expressed by Total Indicator Reading (T.I.R.). Total displacement is measured by an instrument sensing against a moving surface, or moved with respect to a fixed surface. A radial runout measurement includes both roundness errors and the centering error of the surface that the instrument head senses against.

⁽¹⁾Not all types and sizes are listed in this catalog. Please contact your Timken representative for further information.

⁽²⁾For bearing type TSF, the tolerance applies to the dimension T₁.

INCH SYSTEM BEARINGS - *continued*

Inch bearing tolerances						
Bearing types	Outer race O.D.		Precision bearing class			
	Over	Incl.	3		0	
			Max.	Min.	Max.	Min.
	mm in.	mm in.	mm in.	mm in.	mm in.	mm in.
TXR	-	304.800	0.025	0.000	0.127	0.000
	-	12.0000	0.0010	0.0000	0.0005	0.0000
	304.800	609.600	0.051	0.000	0.025	0.000
	12.0000	24.0000	0.0020	0.0000	0.0010	0.0000
	609.600	914.400	0.076	0.000	-	-
	24.0000	36.000	0.0030	0.0000	-	-
	914.400	1219.200	0.102	0.000	-	-
	36.0000	48.0000	0.0040	0.0000	-	-
	1219.200	1524.000	0.127	0.000	-	-
	48.0000	60.0000	0.0050	0.0000	-	-
	1524.000	-	0.127	0.000	-	-
	60.0000	-	0.0050	0.0000	-	-

Inch bearing tolerances						
Bearing types	Inner race bore		Precision bearing class			
	Over	Incl.	3		0	
			Max.	Min.	Max.	Min.
	mm in.	mm in.	mm in.	mm in.	mm in.	mm in.
TXR	-	76.200	0.013	0.000	0.013	0.000
	-	3.0000	0.0005	0.0000	0.0005	0.0000
	76.200	304.800	0.025	0.000	0.013	0.000
	3.0000	12.0000	0.0010	0.0000	0.0005	0.0000
	304.800	609.600	0.051	0.000	0.025	0.000
	12.0000	24.0000	0.0020	0.0000	0.0010	0.0000
	609.600	914.400	0.076	0.000	-	-
	24.0000	36.0000	0.0030	0.0000	-	-
	914.400	1219.200	0.102	0.000	-	-
	36.0000	48.0000	0.0040	0.0000	-	-
	1219.200	-	0.127	0.000	-	-
	48.0000	-	0.0050	0.0000	-	-



BALL BEARINGS

The Annular Bearing Engineers' Committee has established five classes of tolerances for ball bearings, known as ABEC 1, ABEC 3, ABEC 5, ABEC 7 and ABEC 9. The highest number indicates the class with the most exacting tolerances. Every ball bearing manufactured by Timken is made to close tolerances, adhering to the established ABEC standards.

In general, these standards are equivalent to the comparable classes of tolerance established by the International Organization for Standardization, known as ISO P0 (ABEC 1), ISO P5 (ABEC 5), ISO P4 (ABEC 7) and ISO P2 (ABEC 9).

Timken manufactures a complete line of super precision ball bearings made to ABEC 7 and 9/ISO P4 and P2 tolerances for applications involving high speeds, extreme accuracy and rigidity. The range of such equipment includes high-grade machine tools, jet engines, computer hardware, robotics and space exploration vehicles. Machine tool bearings, basically single-row construction, are available in four series, named ultra-light (9300/71900/ISO 19), extra-light (9100/7000/ISO 10), light (200/7200/ISO 02) and medium (300/7300/ISO 03), providing a considerable range in external dimension relationships.

The chart below shows the various classes of tolerances for 35.000 mm (1.3779 in.) bore size, light-series bearings (207). To meet the exacting requirements of the machine tool industry, even ABEC 9/ISO P2 tolerances do not represent the ultimate, since some special applications require even higher precision.

SYSTEM TOLERANCES

Before determining which type and classification of Timken super precision ball bearing is best suited for a particular application, it is important to explore all relevant details of the bearing characteristics, tolerances and mounting, as listed in the catalog data tables. Although cost is another factor, it is not economical to attempt the use of low-precision bearings on an application where extra-high speeds and ultra-precision bearings are required.

Timken precision bearings are manufactured to close tolerances to help assure consistent performance and interchangeability. To take full advantage of this precision product, it is expected that equally close tolerances be used in the production of mounting components (housings, shafts, spacers, etc.). Therefore, special consideration must be given to the particular details relating to proper shaft and housing fits and the housing design.

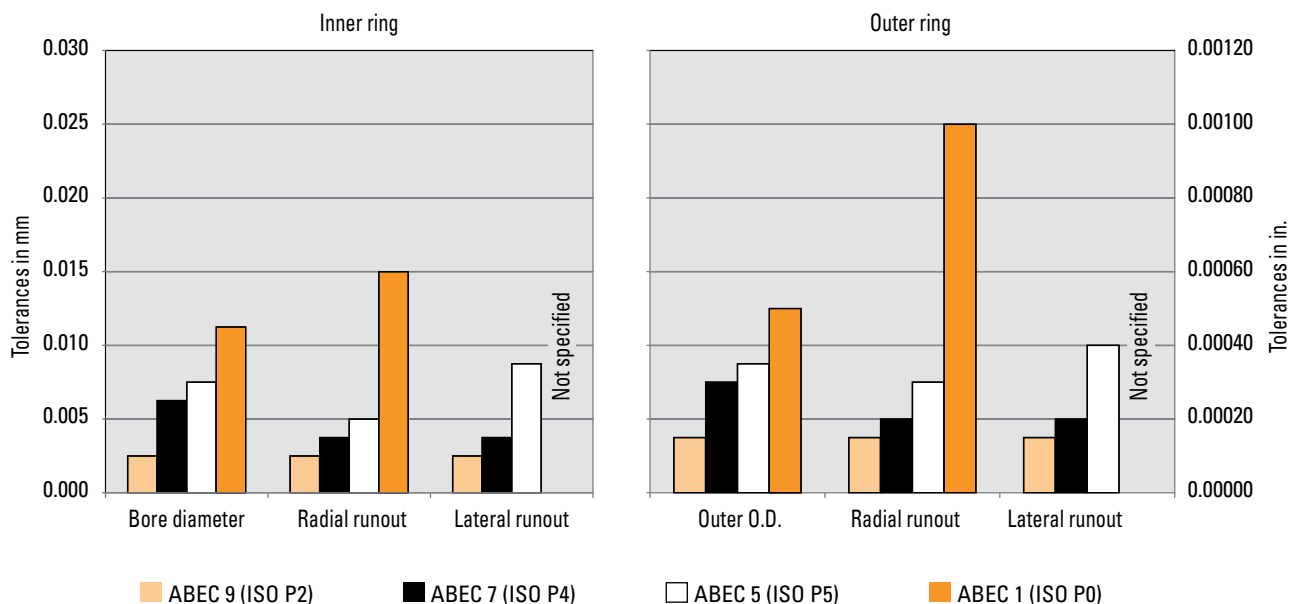


Fig. 70. Comparison of tolerances among ABEC/ISO classes (light series, 35.000 mm bore [1.3779 in.] type).

BALL BEARINGS

Outer, Inner Rings ABEC 5, 7, 9 – ISO P5, P4, P2

Values of tolerances for super precision ball bearings are shown below.
All Timken sizes in this catalog are manufactured to MM/MMV (ISO P4S) levels.

Standard ABEC/ISO tolerances – inner ring All tolerances in number of millimeters (mm) and inches (in.)																	
Bearing bore		Δ_{dmp} Bore diameter ⁽¹⁾ +0.000 mm. +0.0000 in.			V_{Bs} Width variation			K_{ia} Raceway radial runout			S_{ia} Raceway axial runout			S_d Face runout with bore			Δ_{Bs} Width inner rings +0.000 mm. +0.0000 in.
		ABEC/ISO			ABEC/ISO			ABEC/ISO			ABEC/ISO			ABEC/ISO			ABEC/ISO
Over	Incl.	5/P5	7/P4 ⁽²⁾	9/P2	5/P5	7/P4	9/P2 ⁽²⁾	5/P5	7/P4	9/P2 ⁽²⁾	5/P5	7/P4	9/P2 ⁽²⁾	5/P5	7/P4	9/P2 ⁽²⁾	5/P5, 7/P4, 9/P2 ⁽²⁾
mm in.	mm in.	mm in.	mm in.	mm in.	mm in.	mm in.	mm in.	mm in.	mm in.	mm in.	mm in.	mm in.	mm in.	mm in.	mm in.	mm in.	mm in.
2.500 0.0984	10.000 0.3937	-0.005 -0.0002	-0.004 -0.0002	-0.0025 -0.0001	0.005 0.0002	0.0025 0.0001	0.0015 0.0001	0.004 0.0002	0.0025 0.0001	0.0015 0.0001	0.007 0.0003	0.003 0.0001	0.0015 0.00005	0.007 0.0003	0.003 0.0001	0.0015 0.00005	-0.040 -0.0015
10.000 0.3937	18.000 0.7087	-0.005 -0.0002	-0.004 -0.0002	-0.0025 -0.0001	0.005 0.0002	0.0025 0.0001	0.0015 0.0001	0.004 0.0002	0.0025 0.0001	0.0015 0.0001	0.007 0.0003	0.003 0.0001	0.0015 0.00005	0.007 0.0003	0.003 0.0001	0.0015 0.00005	-0.080 -0.0030
18.000 0.7087	30.000 1.1811	-0.006 -0.0002	-0.005 -0.0002	-0.0025 -0.0001	0.005 0.0002	0.0025 0.0001	0.0015 0.0001	0.004 0.0002	0.003 0.0001	0.0025 0.0001	0.008 0.0003	0.004 0.0002	0.0025 0.0001	0.008 0.0003	0.004 0.0002	0.0015 0.00005	-0.120 -0.0050
30.000 1.1811	50.000 1.9685	-0.008 -0.0003	-0.006 -0.0002	-0.0025 -0.0001	0.005 0.0002	0.003 0.0001	0.0015 0.0001	0.005 0.0002	0.004 0.00015	0.0025 0.0001	0.008 0.0003	0.004 0.0002	0.0025 0.0001	0.008 0.0003	0.004 0.0002	0.0015 0.00005	-0.120 -0.0050
50.000 1.9685	80.000 3.1496	-0.009 -0.0004	-0.007 -0.0003	-0.004 -0.00015	0.006 0.0002	0.004 0.00015	0.0015 0.0001	0.005 0.0002	0.004 0.00015	0.0025 0.0001	0.008 0.0003	0.005 0.0002	0.0025 0.0001	0.008 0.0003	0.005 0.0002	0.0015 0.00005	-0.150 -0.0060
80.000 3.1496	120.000 4.7244	-0.010 -0.0004	-0.008 -0.0003	-0.005 -0.0002	0.007 0.0003	0.004 0.00015	0.0025 0.0001	0.006 0.0002	0.005 0.0002	0.0025 0.0001	0.009 0.00035	0.005 0.0002	0.0025 0.0001	0.009 0.00035	0.005 0.0002	0.0025 0.0001	-0.200 -0.0080
120.000 4.7244	150.000 5.9055	-0.013 -0.0005	-0.010 -0.0004	-0.007 -0.0003	0.008 0.0003	0.005 0.0002	0.0025 0.0001	0.008 0.0003	0.006 0.00025	0.0025 0.0001	0.010 0.0004	0.007 0.0003	0.0025 0.0001	0.010 0.0004	0.006 0.00025	0.0025 0.0001	-0.250 -0.0100
150.000 5.9055	180.000 7.0866	-0.013 -0.0005	-0.010 -0.0004	-0.007 -0.0003	0.008 0.0003	0.005 0.0002	0.004 0.00015	0.008 0.0003	0.006 0.00025	0.005 0.0002	0.010 0.0004	0.007 0.0003	0.005 0.0002	0.010 0.0004	0.006 0.00025	0.004 0.00015	-0.250 -0.0100
180.000 7.0866	250.000 9.8425	-0.015 -0.0006	-0.012 -0.0004	-0.008 -0.0003	0.010 0.0004	0.006 0.00025	0.005 0.0002	0.010 0.0004	0.008 0.0003	0.005 0.0002	0.013 0.0005	0.008 0.0003	0.005 0.0002	0.011 0.00045	0.007 0.0003	0.005 0.0002	-0.300 -0.0120

The tolerances in this table are in conformance with ANSI ABMA Standard 20 - 1996.

(1) d_{min} (the smallest single diameter of a bore) and d_{max} (the largest single diameter of a bore) may fall outside limits shown. $\frac{d_{min} + d_{max}}{2}$ must be within bore diameter tabulated.
(2) MM/MMV (P4S) tolerance.

ABMA / ISO Symbols - Inner Ring

- Δ_{dmp} Single plane mean bore diameter deviation from basic bore diameter, e.g., bore tolerance for a basically tapered bore, Δ_{dmp} refers only to the theoretical small bore end of the bore
- K_{ia} Radial runout of assembled bearing inner ring, e.g., radial runout of raceway
- V_{Bs} Inner ring width variation, e.g., parallelism
- S_d Inner ring reference face runout with bore, e.g., squareness - bore to face
- S_{ia} Axial runout of assembled bearing inner ring, e.g., lateral (axial) runout of raceway
- Δ_{Bs} Inner ring width deviation from basic, e.g., width tolerance

Width Tolerances

The width tolerances for individual inner and outer rings are shown in the tables below. To allow for the preload grinding on bearings for various preloads, the total width tolerances of duplex sets are as shown in the table to the right. The total width tolerance is proportional to the number of bearings. Note the Timken values are significantly tighter than ABMA/ISO requirements.

Nominal bore		Width tolerance (duplex set)			
Over	Incl.	ABMA/ISO		Timken	
		Max.	Min.	Max.	Min.
mm in.	mm in.	mm in.	mm in.	mm in.	mm in.
0.000	80.000	0.000	-0.500	0.000	-0.250
0.0000	3.1496	0.0000	-0.0196	0.0000	-0.0100
80.000	180.000	0.000	-0.760	0.000	-0.250
3.1496	7.0866	0.0000	-0.0300	0.0000	-0.0100
180.000	250.000	0.000	-1.000	0.000	-0.250
7.0866	9.8425	0.0000	-0.0394	0.0000	-0.0100

Table 18. Preloaded duplex set width tolerance.

Standard ABEC/ISO tolerances – outer ring																	
All tolerances in number of millimeters (mm) and inches (in.)																	
Bearing O.D.		Δ_{Dmp} Outside diameter ⁽¹⁾ +0.000 mm. +0.0000 in.			V_{Cs} Width variation			K_{ea} Raceway radial runout			S_{ea} Raceway axial runout			S_D Face runout with O.D.			Δ_{Cs} Width outer rings +0.000 mm. +0.0000 in.
Over	Incl.	ABEC/ISO			ABEC/ISO			ABEC/ISO			ABEC/ISO			ABEC/ISO			ABEC/ISO
		5/P5	7/P4 ⁽³⁾	9/P2	5/P5	7/P4	9/P2 ⁽³⁾	5/P5	7/P4	9/P2 ⁽³⁾	5/P5	7/P4	9/P2 ⁽³⁾	5/P5	7/P4	9/P2 ⁽³⁾	5/P5. 7/P4. 9/P2 ⁽³⁾
mm in.	mm in.	mm in.	mm in.	mm in.	mm in.	mm in.	mm in.	mm in.	mm in.	mm in.	mm in.	mm in.	mm in.	mm in.	mm in.	mm in.	mm in.
6.000	18.000	-0.005	-0.004	-0.0025	0.005	0.0025	0.0015	0.005	0.003	0.0015	0.008	0.005	0.0015	0.008	0.004	0.0015	(2)
0.2362	0.7087	-0.0002	-0.00015	-0.0001	0.0002	0.0001	0.00005	0.0002	0.0001	0.00005	0.0003	0.0002	0.00005	0.0003	0.00015	0.00005	
18.000	30.000	-0.006	-0.005	-0.004	0.005	0.0025	0.0015	0.006	0.004	0.0025	0.008	0.005	0.0025	0.008	0.004	0.0015	
0.7087	1.1811	-0.00025	-0.0002	-0.00015	0.0002	0.0001	0.00005	0.00025	0.00015	0.0001	0.0003	0.0002	0.0001	0.0003	0.00015	0.00005	
30.000	50.000	-0.007	-0.006	-0.004	0.005	0.0025	0.0015	0.007	0.005	0.0025	0.008	0.005	0.0025	0.008	0.004	0.0015	
1.1811	1.9685	-0.0003	-0.0002	-0.00015	0.0002	0.0001	0.00005	0.0003	0.0002	0.0001	0.0003	0.0002	0.0001	0.0003	0.00015	0.00005	
50.000	80.000	-0.009	-0.007	-0.004	0.006	0.003	0.0015	0.008	0.005	0.004	0.010	0.005	0.004	0.008	0.004	0.0015	
1.9685	3.1496	-0.00035	-0.0003	-0.00015	0.00025	0.0001	0.00005	0.0003	0.0002	0.00015	0.0004	0.0002	0.00015	0.0003	0.00015	0.00005	
80.000	120.000	-0.010	-0.008	-0.005	0.008	0.004	0.0025	0.010	0.006	0.005	0.011	0.006	0.005	0.009	0.005	0.0025	
3.1496	4.7244	-0.0004	-0.0003	-0.0002	0.0003	0.00015	0.0001	0.0004	0.00025	0.0002	0.00045	0.00025	0.0002	0.00035	0.0002	0.0001	
120.000	150.000	-0.011	-0.009	-0.005	0.008	0.005	0.0025	0.011	0.007	0.005	0.013	0.007	0.005	0.010	0.005	0.0025	
4.7244	5.9055	-0.00045	-0.00035	-0.0002	0.0003	0.0002	0.0001	0.00045	0.0003	0.0002	0.0005	0.0003	0.0002	0.0004	0.0002	0.0001	
150.000	180.000	-0.013	-0.010	-0.007	0.008	0.005	0.0025	0.013	0.008	0.005	0.014	0.008	0.005	0.010	0.005	0.0025	
5.9055	7.0866	-0.0005	-0.0004	-0.0003	0.0003	0.0002	0.0001	0.0005	0.0003	0.0002	0.00055	0.0003	0.0002	0.0004	0.0002	0.0001	
180.000	250.000	-0.015	-0.011	-0.008	0.010	0.007	0.004	0.015	0.010	0.007	0.015	0.010	0.007	0.011	0.007	0.004	
7.0866	9.8425	-0.0006	-0.00045	-0.0003	0.0004	0.0003	0.00015	0.0006	0.0004	0.0003	0.0006	0.0004	0.0003	0.00045	0.0003	0.00015	
250.000	315.000	-0.018	-0.013	-0.008	0.011	0.007	0.005	0.018	0.011	0.007	0.018	0.010	0.007	0.013	0.008	0.005	
9.8425	12.4016	-0.0007	-0.0005	-0.0003	0.00045	0.0003	0.0002	0.0007	0.00045	0.0003	0.0007	0.0004	0.0003	0.0005	0.0003	0.0002	
315.000	400.000	-0.020	-0.015	-0.010	0.013	0.008	0.007	0.020	0.013	0.008	0.020	0.013	0.008	0.013	0.010	0.007	
12.4016	15.7480	-0.0008	-0.0006	-0.0004	0.0005	0.0003	0.0003	0.0008	0.0005	0.0003	0.0008	0.0005	0.0003	0.0005	0.0004	0.0003	

The tolerances in this table are in conformance with ANSI ABMA Standard 20 - 1996.

⁽¹⁾ D_{min} (the smallest single diameter of an O.D.) and D_{max} (the largest single diameter of an O.D.) may fall outside limits shown. $\frac{D_{min} + D_{max}}{2}$ must be within outside diameter tabulated.

⁽²⁾Identical to Δ_{Bs} of inner ring of same bearing.

⁽³⁾MM/MMV (P4S) tolerance

- ABMA / ISO Symbols - Outer Ring**
- Δ_{Dmp} Single plane mean outside diameter deviation from basic outside diameter, e.g., O.D. tolerance
 - K_{ea} Radial runout of assembled bearing outer ring, e.g., radial runout of raceway
 - V_{Cs} Outer ring width variation, e.g., parallelism
 - S_D Outer ring reference face runout with O.D., e.g., squareness O.D. to face
 - S_{ea} Axial runout of assembled bearing outer ring, e.g., lateral (axial) runout of raceway
 - Δ_{Cs} Outer ring width deviation from basic, e.g., width tolerance

FITTING PRACTICES

GENERAL GUIDELINES FOR TAPERED ROLLER BEARINGS

The design of a tapered roller bearing permits the setting to be achieved during installation (or during running when using a Hydra-Rib), irrespective of the inner and outer ring fits on shaft and housing. This allows the use of the widest possible machining tolerances for shaft and housing and the use of the best possible fits for the inner and outer rings to match the duty of the bearing.

The fitting practice will depend upon the following parameters:

- Precision class of the bearing.
- Type of layout.
- Type and direction of loads.
- Running conditions (vibrations, high speeds).
- Shaft and housing sections and materials.
- Mounting and setting conditions.

Certain table fits may not be adequate for light shaft and housing sections, shafts other than steel, nonferrous housings, critical operation conditions such as high speed, unusual thermal or loading conditions or a combination thereof. Also assembly procedures and the means and ease of obtaining the bearing setting may require special fits. In these cases, experience should be used as a guideline or your Timken representative should be consulted for review and suggestions.

Precision class bearings should be mounted on shafts and in housings which are similarly finished to at least the same precision limits as the bearing bore and O.D. High-quality surface finishes should also be provided.

In the machine tool industry, where almost 100 percent of cases are rotating shaft applications, the general rule is to tight-fit both the inner and outer rings for simple layouts to eliminate any undesirable radial clearance.

Tapered roller bearing envelope tolerances can be adjusted to the needs of a specific application.

NON-FERROUS HOUSINGS

Care should be taken when pressing cups into aluminum or magnesium housings to avoid metal pick up. This may result in unsatisfactory fits, backing, and alignment from debris trapped between the cup and backing shoulder. Preferably, the cup should be frozen or the housing heated, or both, during assembly. Also, a special lubricant may be used to ease assembly. In some cases, cups are mounted in steel inserts which are attached to the aluminum or magnesium housings. Table fits may then be used. Where the cup is fitted directly into an aluminum housing, it is suggested that a minimum tight fit of 1,0 µm per mm (0.0010 in. per in.) of cup outside diameter be used. For a magnesium housing, a minimum tight fit of 1.5 µm per mm (0.0015 in. per in.) of cup outside diameter is suggested.

PRECISION CLASS TAPERED ROLLER BEARINGS – HYDRA-RIB

The Hydra-Rib cup is designed to be mounted either as a flanged cup or shouldered against the cup backface. The 50.000 mm (1.968 in.) bore assembly does not have a flanged cup and the cup backface must be mounted against the housing shoulder.

SUGGESTED FITTING GUIDELINES FOR FERROUS SHAFT AND HOUSING

For heavy loads, high speed or shock, contact your Timken representative for further information.

SHAFT O.D.	Bearing bore		Class C			Class B				
	Range		Bearing bore tolerance	Symbol	Shaft O.D. deviation	Resultant fit	Bearing bore tolerance	Symbol	Shaft O.D. deviation	Resultant fit
	Over	Incl.								
	mm in.	mm in.	mm in.		mm in.	mm in.	mm in.		mm in.	mm in.
Deviation from nominal (maximum) bearing bore and resultant fit.	30.000	50.000	-0.010	k5	+0.013	0.023T	-0.08	k5	+0.013	0.021T
			0.000		+0.002	0.002T	0.000		+0.002	0.002T
T= Tight L= Loose	1.1811	1.9685	-0.0004		+0.0005	0.0009T	-0.0003		+0.0005	0.0008T
			0.0000		+0.0001	0.0001T	0.0000		+0.0001	0.0001T
30.000	80.000	-0.012	k5	+0.015	0.027T	-0.009	k5	+0.015	0.024T	
										0.000
1.9685	3.1496	-0.0005		+0.0006	0.0011T	-0.0004		+0.0006	0.0010T	
										0.0000
80.000	120.000	-0.015	k5	+0.018	0.033T	-0.010	k5	+0.018	0.028T	
										0.000
3.1496	4.7244	-0.0006		+0.0007	0.0013T	-0.0004		+0.0007	0.0011T	
										0.0000
120.000	180.000	-0.018	k5	+0.021	0.039T	-0.013	k5	+0.021	0.034T	
										0.000
4.7244	7.0866	-0.0007		+0.0008	0.0015T	-0.0005		+0.0008	0.0013T	
										0.0000
180.000	250.000	-0.022	k5	+0.024	0.046T	-0.015	k5	+0.024	0.039T	
										0.000
7.0866	9.8425	-0.0009		+0.0010	0.0018T	-0.0006		+0.0010	0.0016T	
										0.0000

HOUSING BORE	Bearing O.D.		Class C			Class B				
	Range		Bearing O.D. tolerance	Symbol	Housing bore deviation	Resultant fit	Bearing O.D. tolerance	Symbol	Housing bore deviation	Resultant fit
	Over	Incl.								
	mm in.	mm in.	mm in.		mm in.	mm in.	mm in.		mm in.	mm in.
Deviation from nominal (maximum) bearing O.D. and resultant fit.	80.000	120.000	0.000	M5	-0.023	0.023T	0.000	M5	-0.023	0.023T
			-0.013		-0.008	0.005L	-0.010		-0.008	0.002L
T= Tight L= Loose	3.1496	4.7244	0.0000		-0.0009	0.0009T	0.0000		-0.0009	0.0009T
			-0.0005		-0.0003	0.0002L	-0.0004		-0.0003	0.0001L
120.000	150.000	-0.015	M5	-0.027	0.027T	0.000	M5	-0.027	0.027T	
										0.000
4.7244	5.9055	0.0000		-0.0011	0.0011T	0.0000		-0.0011	0.0011T	
										-0.0006
150.000	180.000	-0.018	M5	-0.027	0.027T	0.000	M5	-0.027	0.027T	
										0.000
5.9055	7.0866	0.0000		-0.0011	0.0011T	0.0000		-0.0012	0.0011T	
										-0.0007
180.000	250.000	-0.020	M5	-0.031	0.031T	0.000	M5	-0.031	0.031T	
										0.000
7.0866	9.8425	0.0000		-0.0012	0.0012T	0.0000		-0.0012	0.0012T	
										-0.0008
250.000	350.000	-0.025	M5	-0.036	0.036T	-	-	-	-	
										0.000
9.8425	10.4331	0.0000		-0.0014	0.0014T	-	-	-	-	
										-0.0010

PRECISION CLASS TAPERED ROLLER BEARINGS (EXCEPT HYDRA-RIB AND TXR BEARINGS)

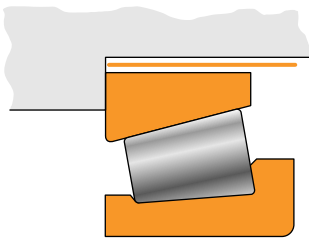
SUGGESTED FITTING GUIDELINES FOR FERROUS SHAFT AND HOUSING

For heavy loads, high speed or shock, contact your Timken representative for further information.

HOUSING BORE METRIC BEARINGS
ISO + J Prefix

Deviation from nominal (maximum) bearing O.D. and resultant fit

T= Tight
L = Loose



Bearing O.D.			Class C								
Range		Tolerance	Non-adjustable or in carrier			Floating			Adjustable		
Over	Incl.		Symbol	Housing bore deviation	Resultant fit	Symbol	Housing bore deviation	Resultant fit	Symbol	Housing bore deviation	Resultant fit
mm in.	mm in.	mm in.		mm in.	mm in.		mm in.	mm in.		mm in.	mm in.
18.000	30.000	0.000	N5	-0.021	0.021T	G5	+0.007	0.007L	K5	-0.008	0.008T
		-0.008		-0.012	0.004T		+0.016	0.024L		+0.001	0.009L
0.7087	1.1811	0.0000		-0.0008	0.0008T		+0.0003	0.0003L		-0.0003	0.0003T
		-0.0003		-0.0004	0.0002T		+0.0006	0.0009L		+0.00004	0.0004L
30.000	50.000	0.000	N5	-0.024	0.024T	G5	+0.009	0.009L	K5	-0.009	0.009T
		-0.009		-0.013	0.004T		+0.020	0.029L		+0.002	0.011L
1.1811	1.9685	0.0000		-0.0009	0.0009T		+0.00035	0.0004L		-0.0004	0.0003T
		-0.0004		-0.0005	0.0002T		+0.0008	0.0011L		+0.0001	0.0004L
50.000	80.000	0.000	N5	-0.028	0.028T	G5	+0.010	0.010L	K5	-0.010	0.010T
		-0.011		-0.015	0.004T		+0.023	0.034L		+0.003	0.014L
1.9685	3.1496	0.0000		-0.0011	0.0011T		+0.0004	0.0004L		-0.0004	0.0004T
		-0.00045		-0.0006	0.0002T		+0.0009	0.0013L		+0.0001	0.0006L
80.000	120.000	0.000	N5	-0.033	0.033T	G5	+0.012	0.012L	K5	-0.013	0.013T
		-0.013		-0.018	0.005T		+0.027	0.040L		+0.002	0.015L
3.1496	4.7244	0.0000		-0.0013	0.0013T		+0.0005	0.0008L		-0.0005	0.0005T
		-0.0005		-0.0007	0.0002T		+0.0011	0.0016L		+0.0001	0.0006L
120.000	150.000	0.000	N5	-0.039	0.039T	G5	+0.014	0.014L	K5	-0.015	0.015T
		-0.015		-0.021	0.006T		+0.032	0.047L		+0.003	0.018L
4.7244	5.9055	0.0000		-0.0015	0.0015T		+0.0006	0.0006L		-0.0006	0.0006T
		-0.0006		-0.0008	0.0002T		+0.0013	0.0019L		+0.0001	0.0007L
150.000	180.000	0.000	N5	-0.039	0.039T	G5	+0.014	0.014L	K5	-0.015	0.015T
		-0.018		-0.021	0.003T		+0.032	0.050L		+0.003	0.021L
5.9055	7.0866	0.0000		-0.0015	0.0015T		+0.0006	0.0006L		-0.0006	0.0006T
		-0.0007		-0.0008	0.0001T		+0.0013	0.0020T		+0.0001	0.0008L
180.000	250.000	0.000	N5	-0.045	0.045T	G5	+0.015	0.015L	K5	-0.018	0.018T
		-0.020		-0.025	0.005T		+0.035	0.055L		+0.002	0.027L
7.0866	9.8425	0.0000		-0.0018	0.0018T		+0.0006	0.0006L		-0.0007	0.0007T
		-0.0008		-0.0010	0.0002T		+0.0014	0.0022L		+0.0001	0.0011L
250.000	315.000	0.000	N5	-0.050	0.050T	G5	+0.017	0.017L	K5	-0.020	0.020T
		-0.025		-0.027	0.002T		+0.040	0.065L		+0.003	0.028L
9.8425	12.4016	0.0000		-0.0020	0.0020T		+0.0007	0.0007L		-0.0008	0.0008T
		-0.0010		-0.0011	0.0001T		+0.0016	0.0023L		+0.0001	0.0011L

HOUSING BORE INCH BEARINGS

Deviation from nominal (minimum) bearing O.D. and resultant fit

T= Tight
L = Loose

Bearing O.D.			Class 3 and 0 ⁽¹⁾					
Range		Tolerance	Non-adjustable or in carrier		Floating		Adjustable	
Over	Incl.		Housing bore deviation	Resultant fit	Housing bore deviation	Resultant fit	Housing bore deviation	Resultant fit
mm in.	mm in.	mm in.	mm in.	mm in.	mm in.	mm in.	mm in.	mm in.
-	152.400	+0.013	-0.013	0.026T	+0.025	0.012L	0.000	0.013T
		0.000	0.000	0.000	+0.038	0.038L	+0.013	0.013L
-	6.0000	+0.0005	-0.0005	0.0010T	+0.0010	0.0005L	0.000	0.0005T
		0.0000	0.0000	0.0000	+0.0015	0.0015L	+0.0005	0.0005L
152.400	304.800	+0.013	-0.025	0.038T	+0.025	0.012L	0.000	0.013T
		0.000	0.000	0.000	+0.038	0.038L	+0.025	0.025L
6.0000	12.0000	+0.0005	-0.0010	0.0015T	+0.0010	0.0005L	0.0000	0.0005T
		0.0000	0.0000	0.0000	+0.0015	0.0015L	+0.0010	0.0010L
304.800	609.600	+0.025	-0.025	0.050T	+0.038	0.013L	0.000	0.025T
		0.000	0.000	0.000	+0.064	0.064L	+0.025	0.025L
12.0000	24.0000	+0.0010	-0.0010	0.0020T	+0.0015	0.0005L	0.0000	0.0010T
		0.0000	0.0000	0.0000	+0.0025	0.0025L	+0.0010	0.0010L
609.600	914.400	+0.038	-0.038	0.076T	+0.051	0.013L	0.000	0.038T
		0.000	0.000	0.000	+0.089	0.089L	+0.038	0.038L
24.0000	36.0000	+0.0015	-0.0015	0.0030T	+0.0020	0.0005L	0.0000	0.0015T
		0.0000	0.0000	0.0000	+0.0035	0.0035L	+0.0015	0.0015L

⁽¹⁾Class 0 made only to 304.800 mm (12.0000 in.) O.D.

Bearing O.D.			Class B								
Range		Tolerance	Non-adjustable or in carrier			Floating			Adjustable		
Over	Incl.		Symbol	Housing bore deviation	Resultant fit	Symbol	Housing bore deviation	Resultant fit	Symbol	Housing bore deviation	Resultant fit
mm in.	mm in.	mm in.		mm in.	mm in.		mm in.	mm in.		mm in.	mm in.
18.000 0.7087	30.000 1.1811	0.000	M5	-0.014	0.014T	G5	+0.007	0.007L	K5	-0.008	0.008T
		-0.006		-0.005	0.001L		+0.016	0.022L		+0.001	0.007L
		0.0000		-0.0006	0.0006T		+0.0003	0.0003L		-0.0003	0.0003T
		0.0002		-0.0002	0.00004L		+0.0006	0.0009L		+0.00004	0.0003L
30.000 1.1811	50.000 1.9685	0.000	M5	-0.016	0.016T	G5	+0.009	0.009L	K5	-0.009	0.009T
		-0.007		-0.005	0.002L		+0.020	0.027L		+0.002	0.009L
		0.0000		-0.0006	0.0006T		+0.0004	0.0004L		-0.0004	0.0004T
		-0.0003		-0.0002	0.0001L		+0.0008	0.0011L		+0.0001	0.0004L
50.000 1.9685	80.000 3.1496	0.000	M5	-0.019	0.019T	G5	+0.010	0.010L	K5	-0.010	0.010T
		-0.009		-0.006	0.003L		+0.023	0.032L		+0.003	0.012L
		0.000		-0.0008	0.0008T		+0.0004	0.0004L		-0.0004	0.0004T
		-0.0004		-0.0002	0.0001L		+0.0009	0.0013L		+0.0001	0.0005L
80.000 3.1496	120.000 4.7244	0.000	M5	-0.023	0.023T	G5	+0.012	0.012L	K5	-0.013	0.013T
		-0.010		-0.008	0.002L		+0.027	0.037L		+0.002	0.012L
		0.000		0.0009	0.0009T		+0.0005	0.0004L		-0.0005	0.0005T
		-0.0004		0.0003	0.0001L		+0.0011	0.0015L		+0.0001	0.0005L
120.000 4.7244	150.000 5.9055	0.000	M5	-0.027	0.027T	G5	+0.014	0.014L	K5	-0.015	0.015T
		-0.011		-0.009	0.002L		+0.032	0.043L		+0.003	0.012L
		0.000		-0.0011	0.0011T		+0.0006	0.0006L		-0.0006	0.0006T
		-0.0004		-0.0004	0.0001L		+0.0013	0.0017L		+0.0001	0.0005L
150.000 5.9055	180.000 7.0866	0.000	M5	-0.027	0.027T	G5	+0.014	0.014L	K5	-0.015	0.015T
		-0.013		-0.009	0.004L		+0.032	0.045L		+0.003	0.016L
		0.000		-0.0011	0.0011T		+0.0006	0.0006L		-0.0006	0.0006T
		-0.0005		-0.0004	0.0002L		+0.0013	0.0018L		+0.0001	0.0006L
180.000 7.0866	250.000 9.8425	0.000	M5	-0.031	0.031T	G5	+0.015	0.015L	K5	-0.018	0.018T
		-0.015		-0.011	0.004L		+0.035	0.050L		+0.002	0.017L
		0.000		-0.0012	0.0012T		+0.0006	0.0006L		-0.0007	0.0007T
		0.0006		-0.0004	0.0002L		+0.0014	0.0020L		+0.0001	0.0007L
250.000 9.8425	315.000 12.4016	0.000	M5	-0.036	0.036T	G5	+0.017	0.017L	K5	-0.020	0.020T
		-0.018		-0.013	0.005L		+0.040	0.058L		+0.003	0.021L
		0.000		-0.0014	0.0014T		+0.0007	0.0007L		-0.0008	0.0008T
		-0.0007		-0.0005	0.0002L		+0.0016	0.0023L		+0.0001	0.0008L

Bearing O.D.			Class A and AA								
Range		Tolerance	Non-adjustable or in carrier		Floating		Adjustable				
Over	Incl.		Housing bore deviation	Resultant fit	Housing bore deviation	Resultant fit	Housing bore deviation	Resultant fit			
mm in.	mm in.	mm in.	mm in.	mm in.	mm in.	mm in.	mm in.	mm in.			
0.000	315.000	-0.000		-0.016	0.016T		+0.008	0.008L		-0.008	0.008T
		-0.008		-0.008	0.000		+0.016	0.024L		-0.000	0.008L
		0.0000		-0.0000	-0.0006		0.0006T	+0.0003		0.0003L	-0.0003
		-0.0003		-0.0003	0.0000		+0.0006	0.0009L		-0.0000	0.0003L

Bearing O.D.			Class 00 and 000								
Range		Tolerance	Non-adjustable or in carrier		Floating		Adjustable				
Over	Incl.		Housing bore deviation	Resultant fit	Housing bore deviation	Resultant fit	Housing bore deviation	Resultant fit			
mm in.	mm in.	mm in.	mm in.	mm in.	mm in.	mm in.	mm in.	mm in.			
0.000	304.800	+0.008		-0.008	0.016T		+0.015	0.007L		0.000	0.008T
		0.000		0.000	0.000		+0.023	0.023L		+0.008	0.008L
		0.0000		+0.0003	-0.0003		0.0006T	+0.0006		0.0003L	0.0000
		0.0000		0.0000	0.0000		+0.0009	0.0009L		+0.0003	0.0003L

PRECISION CLASS TAPERED ROLLER BEARINGS (EXCEPT HYDRA-RIB AND TXR BEARINGS)

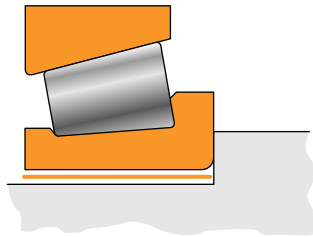
SUGGESTED FITTING GUIDELINES FOR FERROUS SHAFT AND HOUSING

For heavy loads, high speed or shock, contact your Timken representative for further information.

SHAFT O.D. METRIC BEARINGS (ISO and J Prefix)

Deviation from nominal (maximum) bearing bore and resultant fit

T= Tight
L= Loose



Bearing bore		Class C			
Range		Bearing bore tolerance	Symbol	Shaft O.D. deviation	Resultant fit
Over	Incl.				
mm in.	mm in.	mm in.		mm in.	mm in.
10.000	18.000	-0.007 0.000	k5	+0.009 +0.001	0.016T 0.001T
0.3937	0.7087	-0.0003 0.0000		+0.0004 +0.00004	0.0006T 0.00004T
18.000	30.000	-0.008 0.000	k5	+0.011 +0.002	0.019T 0.002T
0.7087	1.1811	-0.0003 0.0000		+0.0005 +0.0001	0.0007T 0.0001T
30.000	50.000	-0.010 0.000	k5	+0.013 +0.002	0.023T 0.002T
1.1811	1.9685	-0.0004 0.0000		+0.0005 +0.0001	0.0009T 0.0001T
50.000	80.000	-0.012 0.000	k5	+0.015 +0.003	0.027T 0.002T
1.9685	3.1496	-0.0005 0.0000		+0.0006 +0.0001	0.0011T 0.0001T
80.000	120.000	-0.015 0.000	k5	+0.018 +0.003	0.033T 0.003T
3.1496	4.7244	-0.0006 0.0000		+0.0007 +0.0001	0.0013T 0.0001T
120.000	180.000	-0.018 0.000	k5	+0.021 +0.003	0.039T 0.003T
4.7244	7.0866	-0.0007 0.0000		+0.0008 +0.0001	0.0015T 0.0001T
180.000	250.000	-0.022 0.000	k5	+0.024 +0.004	0.046T 0.004T
7.0866	9.8425	-0.0009 0.0000		+0.0009 +0.0002	0.0018T 0.0002T
250.000	315.000	-0.022 0.000	k5	+0.027 +0.004	0.049T 0.004T
9.8425	12.4016	-0.0009 0.0000		+0.0011 +0.0002	0.0019T 0.0002T

SHAFT O.D. INCH BEARINGS

Deviation from nominal (minimum) bearing bore and resultant fit

T= Tight
L= Loose

Bearing bore		Class 3 and 0 ⁽¹⁾			Class 00 and 000		
Range		Bearing bore tolerance	Shaft O.D. deviation	Resultant fit	Bearing bore tolerance μm (0.0001 in.)	Shaft O.D. deviation	Resultant fit
Over	Incl.						
mm in.	mm in.	mm in.	mm in.		mm in.	mm in.	
-	304.800	0.000 +0.013	+0.030 +0.018	0.030T 0.005T	0.000 +0.008	+0.020 +0.013	0.020T 0.005T
-	12.0000	0.0000 +0.0005	+0.0012 +0.0007	0.0012T 0.0002T	0.0000 +0.0003	+0.0008 +0.0005	0.0008T 0.0002T
304.800	609.600	0.000 +0.025	+0.064 +0.038	0.064T 0.013T	-	-	-
12.0000	24.0000	0.0000 +0.0010	+0.0025 +0.0015	0.0025T 0.0005T	-	-	-
609.600	914.400	0.000 +0.038	+0.102 +0.064	0.102T 0.026T	-	-	-
24.0000	36.0000	0.0000 +0.0015	+0.0040 +0.0025	0.0040T 0.0010T	-	-	-

⁽¹⁾ Class 0 made only to 304.800 mm (12.0000 in.) O.D.

Class B				Bearing bore		Class A and AA			
Bearing bore tolerance	Symbol	Shaft O.D. deviation	Resultant fit	Range		Bearing bore tolerance	Symbol	Shaft O.D. deviation	Resultant fit
				Over	Incl.				
mm in.		mm in.	mm in.	mm in.	mm in.	mm in.		mm in.	mm in.
-0.005 0.000 -0.0002 0.0000	k5	+0.009 +0.001 +0.0004 +0.00004	0.014T 0.001T 0.0006T 0.00004T	10.000 0.3937	18.000 0.7087	-0.005 0.000 -0.0002 0.0000	k4	+0.006 +0.001 +0.0002 +0.00004	0.011T 0.001T 0.0004T 0.00004T
-0.006 0.000 -0.0002 0.0000	k5	+0.011 +0.002 +0.0004 +0.0001	0.017T 0.002T 0.0007T 0.0001T	18.000 0.7087	30.000 1.1811	-0.006 0.000 -0.0002 0.0000	k4	+0.008 +0.002 +0.0003 +0.0001	0.014T 0.002T 0.0006T 0.0001T
-0.008 0.000 -0.0003 0.0000	k5	+0.013 +0.002 +0.0005 +0.0001	0.021T 0.002T 0.0008T 0.0001T	30.000 1.1811	315.000 12.4016	-0.008 0.000 -0.0003 0.0000		+0.013 +0.005 +0.0005 +0.0002	0.021T 0.005T 0.0008T 0.0002T
-0.009 0.000 -0.0004 0.0000	k5	+0.015 +0.002 +0.0006 +0.0001	0.024T 0.002T 0.0009T 0.0001T						
-0.010 0.000 -0.0004 0.0000	k5	+0.018 +0.003 +0.0007 +0.0001	0.028T 0.003T 0.0011T 0.0001T						
-0.013 0.000 -0.0005 0.0000	k5	+0.021 +0.003 +0.0008 +0.0001	0.034T 0.003T 0.0013T 0.0001T						
-0.015 0.000 -0.0006 0.0000	k5	+0.024 +0.004 +0.0009 +0.0002	0.039T 0.004T 0.0015T 0.0002T						
-0.015 0.000 -0.0006 0.0000	k5	+0.027 +0.004 +0.0011 +0.0002	0.042T 0.004T 0.0017T 0.0002T						

PRECISION CLASS TAPERED ROLLER BEARINGS – TXR

SUGGESTED FITTING GUIDELINES FOR FERROUS SHAFT AND HOUSING

For heavy loads, high speed or shock, contact your Timken representative for further information.

SHAFT O.D. METRIC BEARINGS	Bearing bore		Class S		Class P	
	Range		Max.	Min.	Max.	Min.
	Over	Incl.				
Deviation from nominal (maximum) bearing bore and resultant fit T= Tight L = Loose	mm in.	mm in.	mm in.	mm in.	mm in.	mm in.
	–	50.000	0.020T	0.007T	0.014T	0.004T
	–	1.9685	0.0008T	0.0003T	0.0006T	0.0002T
	50.000	80.000	0.025T	0.010T	0.017T	0.004T
	1.9685	3.1496	0.0010T	0.0004T	0.0007T	0.0002T
	80.000	120.000	0.033T	0.013T	0.017T	0.004T
	3.1496	4.7244	0.0013T	0.0005T	0.0007T	0.0002T
	120.000	180.000	0.052T	0.027T	0.017T	0.004T
	4.7244	7.0866	0.0021T	0.0011T	0.0007T	0.0002T
	180.000	250.000	0.060T	0.030T	0.020T	0.004T
	7.0866	9.8425	0.0024T	0.0012T	0.0008T	0.0002T
	250.000	315.000	0.070T	0.035T	0.022T	0.004T
	9.8425	12.4016	0.0028T	0.0014T	0.0009T	0.0002T
	315.000	400.000	0.077T	0.037T	0.024T	0.004T
	12.4016	15.7480	0.0030T	0.0015T	0.0009T	0.0002T
	400.000	500.000	0.085T	0.040T	0.030T	0.004T
15.7480	19.6850	0.0034T	0.0016T	0.0012T	0.0002T	

HOUSING BORE METRIC BEARINGS	Bearing O.D.		Class S		Class P	
	Range		Max.	Min.	Max.	Min.
	Over	Incl.				
Deviation from nominal (maximum) bearing O.D. and resultant fit T= Tight L = Loose	mm in.	mm in.	mm in.	mm in.	mm in.	mm in.
	–	50.000	0.020T	0.007T	0.014T	0.004T
	–	1.9685	0.0008T	0.0003T	0.0006T	0.0002T
	50.000	80.000	0.025T	0.010T	0.017T	0.004T
	1.9685	3.1496	0.0010T	0.0004T	0.0007T	0.0002T
	80.000	120.000	0.033T	0.013T	0.017T	0.004T
	3.1496	4.7244	0.0013T	0.0005T	0.0007T	0.0002T
	120.000	180.000	0.052T	0.027T	0.017T	0.004T
	4.7244	7.0866	0.0021T	0.0011T	0.0007T	0.0002T
	180.000	250.000	0.060T	0.030T	0.020T	0.004T
	7.0866	9.8425	0.0024T	0.0012T	0.0008T	0.0002T
	250.000	315.000	0.070T	0.035T	0.022T	0.004T
	9.8425	12.4016	0.0028T	0.0014T	0.0009T	0.0002T
	315.000	400.000	0.077T	0.037T	0.024T	0.004T
	12.4016	15.7480	0.0030T	0.0015T	0.0009T	0.0002T
	400.000	500.000	0.085T	0.040T	0.030T	0.004T
15.7480	19.6850	0.0034T	0.0016T	0.0012T	0.0002T	

SHAFT O.D. INCH BEARINGS

Deviation from nominal (maximum) bearing bore and resultant fit

T= Tight
L = Loose

Bearing bore		Class 3		Class 0	
Range		Max.	Min.	Max.	Min.
Over	Incl.				
mm in.	mm in.	mm in.	mm in.	mm in.	mm in.
–	304.800	0.037T	0.013T	0.020T	0.007T
–	12.0000	0.0015T	0.0005T	0.0008T	0.0003T
304.800	609.600	0.077T	0.025T	0.037T	0.013T
12.0000	24.0000	0.0030T	0.0010T	0.0015T	0.0005T
609.600	914.400	0.114T	0.037T	–	–
24.0000	36.0000	0.0045T	0.0015T	–	–
914.400	1219.200	0.152T	0.051T	–	–
36.0000	48.0000	0.0060T	0.0020T	–	–
1219.200	–	0.191T	0.064T	–	–
48.0000	–	0.0075T	0.0025T	–	–

HOUSING BORE INCH BEARINGS

Deviation from nominal (maximum) bearing O.D. and resultant fit

T= Tight
L = Loose

Bearing O.D.		Class 3		Class 0	
Range		Max.	Min.	Max.	Min.
Over	Incl.				
mm in.	mm in.	mm in.	mm in.	mm in.	mm in.
–	304.800	0.037T	0.013T	0.020T	0.007T
–	12.0000	0.0015T	0.0005T	0.0008T	0.0003T
304.800	609.600	0.077T	0.025T	0.037T	0.013T
12.0000	24.0000	0.0030T	0.0010T	0.0015T	0.0005T
609.600	914.400	0.114T	0.037T	–	–
24.0000	36.0000	0.0045T	0.0015T	–	–
914.400	1219.200	0.152T	0.051T	–	–
36.0000	48.0000	0.0060T	0.0020T	–	–
1219.200	–	0.191T	0.064T	–	–
48.0000	–	0.0075T	0.0025T	–	–

A **SHAFT AND HOUSING CONSIDERATIONS**

TAPERED ROLLER BEARINGS

In general, machining bearing seats and shoulders in spindles and housings requires careful consideration of the following form and orientation characteristics. The first four characteristics apply to the seats of bearing rings.

- **Circularity** (roundness) of each seat at every cross section.
- **Cylindricity** of each seat. Cylindricity includes the taper, roundness and other form characteristics of the seat.
- **Coaxiality** of the inner ring seats on the spindle and coaxiality of the outer ring seats in the housing. Coaxiality includes offset misalignment and angular misalignment between seats.
- **Angularity** of each bearing ring seat. This is a consideration when an inner ring seat is tapered.

The following two characteristics apply to the shoulders corresponding to each bearing seat.

- **Perpendicularity** (squareness) of each shoulder to its corresponding bearing seat, or as a more practical measure, perpendicularity of each shoulder to the spindle or housing centerline established from the two bearing seats.
- **Flatness** of each shoulder. A practical way of assessing the combined perpendicularity and flatness of each shoulder is to measure the total runout of the shoulder relative to the spindle or housing centerline. The runout of the face of the adjusting nuts, if used, should also be measured.

The tolerances to which these characteristics should be held are dependent upon the class, size and application of the bearing. *In general, these tolerances should be no greater than the total indicator reading (T.I.R.) of the assembled bearing.*

Some of the characteristics can be difficult to measure precisely. The individual user may elect to measure a subset of these characteristics (roundness and taper as an alternative to cylindricity). The individual user must determine the degree of effort and expense to be invested in the measurements. That determination should be based on the intended application of the bearing and the level of confidence in the machining process employed to manufacture the spindle and housing.

Surface Finishes – Precision Bearings

Precision class bearings should be mounted on shafts and in housings that are finished to at least the same precision limits as the bearing bore or outside diameter.

Furthermore, high-quality surface finishes together with close machining tolerances of bearing seats also must be provided. The following tabulations give some guidelines for all these criteria.

All sizes	Bearing class			
	C	B	A	AA
	3	0	00	000
	µm µin	µm µin	µm µin	µm µin
Shaft - Ra	0.8	0.6	0.4	0.2
	32	24	16	8
Housing - Ra	1.6	0.8	0.6	0.4
	63	32	24	16

Table 19. Suggested tapered roller bearing shaft and housing finishes.

BALL BEARINGS

Shaft Fits

The main purpose of the shaft fit is to assure a proper attachment of the inner ring to the shaft. Under normal conditions of shaft rotation, a loosely fitted inner ring will creep on the shaft, leading to wear and fretting. This condition will be further aggravated by increase of load or speed. To prevent creeping or slipping, the inner ring should be mounted firmly in place and held securely against the shaft shoulder. However, it is important that the shaft fit should not result in any undue tightening of the bearing. An excessive interference fit of the bearing bore with the shaft could result in a proportionate expansion of the bearing inner ring which could disturb the internal fit of the bearing and lead to heating and increased power consumption.

As a general rule, it is suggested that the shaft size and tolerance for seating super precision ball bearings (ABEC 7/ISO P4 and ABEC 9/ISO P2) be the same as the bearing bore. In the case of preloaded bearings, the suggested shaft fit is line-to-line, since an excessively tight fit expands the bearing inner ring and increases the bearing preload, which can lead to overheating. For example, a duplex pair of 2MM9111WI DUL bearings with 16 kg (35 lbs.) built-in preload, when mounted on a shaft that provides an interference fit of 0.010 mm (0.0004 in.), will increase the preload to approximately 86 kg (180 lbs.), which could result in elevated operating temperatures.

Bore size		Shaft diameter		Resulting mounting fit	
Max.	Min.	Max.	Min.	Loose	Tight
mm in.	mm in.	mm in.	mm in.	mm in.	mm in.
55.000	54.994	55.000	54.994	0.004	0.006
2.1654	2.1651	2.1654	2.1651	0.0002	0.0003

Table 20. Shaft fit example: MMV (ABEC 7/ISO P4).

Housing Fits

Under normal conditions of rotating shaft, the outer ring is stationary and should be mounted with a hand push to a light tapping fit. Should the housing be the rotating member, the same fundamental considerations apply in mounting the outer ring as in the case of an inner ring mounted on a rotating shaft. Contact your Timken representative for outer ring rotation requirements.

As a general rule, the minimum housing bore dimension for super precision ball bearings may be established as the same as the maximum bearing outside diameter. If the bearing O.D. tolerance is 0.008 mm (0.0003 in.), the maximum housing bore should be established as 0.008 mm (0.0003 in.) larger than the minimum housing bore dimensions.

Outside diameter		Housing bore		Resulting mounting fit		Average fit	
Max.	Min.	Max.	Min.	Loose	Tight	Loose	Loose
mm in.	mm in.	mm in.	mm in.	mm in.	mm in.	mm in.	mm in.
90.000	89.992	90.007	90.000	0.015	0.000	0.006	0.006
3.5433	3.5430	3.5436	3.5433	0.0006	0.0000	0.0003	0.0003

Table 21. Housing bore fit example: MMV (ABEC 7/ISO P4).

Tables covering suggested shaft and housing seat dimensions for super precision (ABEC 7/ISO P4) ball bearings are shown with part numbers in the product pages.

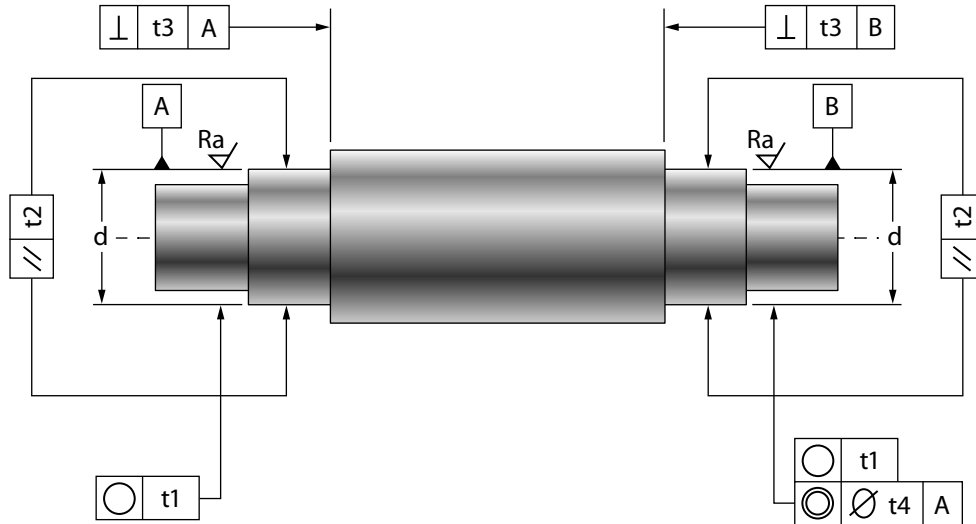
To accomplish the optimum mounting condition, it is important to follow the tabulated tolerances, except when deviations are suggested by your Timken representative. It is equally important that all shaft and housing shoulders be square and properly relieved to assure accurate seating and positioning of the bearings in the mounting.

On high-speed applications where nearby heat input is along the shaft, it is extremely important that the floating bearings can move axially to compensate for thermal changes. Ball bearings cannot float axially if they are restricted by tight housing bores or by the radial expansion of the bearing itself due to temperature differentials. Therefore, in such cases, the suggested housing mounting fit for the floating bearings is slightly looser than the tabulated average fit.

Likewise, in spring-loaded ball bearing applications, the housing mounting fit must be free enough to permit axial movement of the bearings under the spring pressure during all conditions of operation. The suggested housing dimensions to ensure proper "float" of the bearings under average conditions are listed in the product pages.

SHAFT AND HOUSING TOLERANCES

Shaft Geometry Requirements



Shaft Tolerances

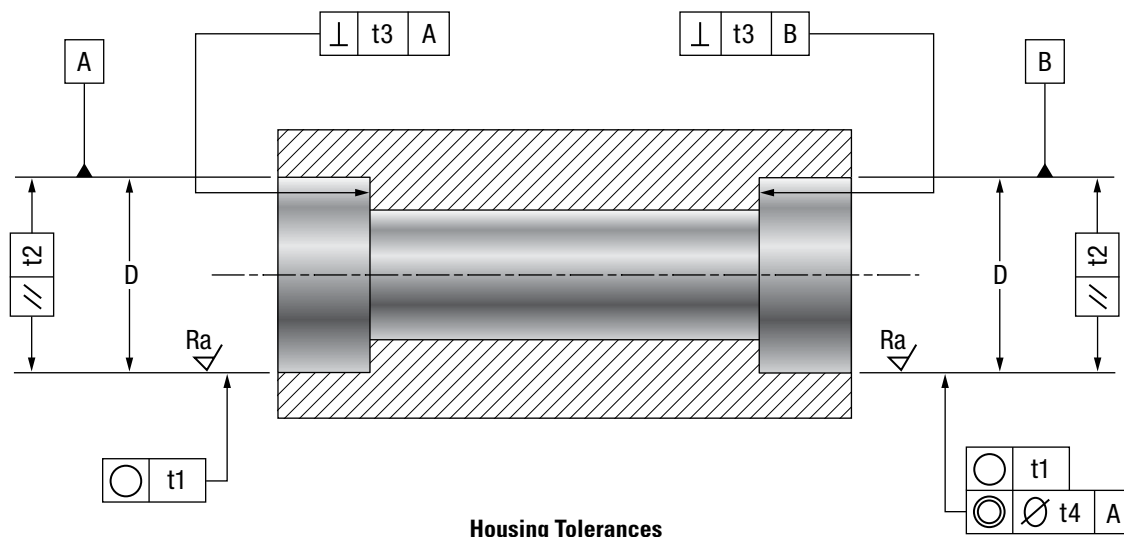
Description	Symbol	Tolerance value	MV ABEC 7 (ISO P4)	MMV/MM ABEC 7/9 (ISO P4S)	MMX ABEC 9 (ISO P2)
Roundness	⊙	t1	IT2	IT1	IT0
Parallelism	//	t2	IT2	IT1	IT0
Squareness	⊥	t3	IT2	IT1	IT0
Concentricity	⊙	t4	IT3	IT2	IT2
Surface Finish	Ra		16 (μin.)	or	0.4 μm

Shaft journal diameter (d) mm		Units – micrometer (μm)			
>	≤	IT0	IT1	IT2	IT3
—	10	0.6	1.0	1.5	2.5
10	18	0.8	1.2	2.0	3.0
18	30	1.0	1.5	2.5	4.0
30	50	1.0	1.5	2.5	4.0
50	80	1.2	2.0	3.0	5.0
80	120	1.5	2.5	4.0	6.0
120	180	2.0	3.5	5.0	8.0
180	250	3.0	4.5	7.0	10.0
250	315	—	6.0	8.0	12.0

Shaft journal diameter (d) mm		Units – microinches (μin.)			
>	≤	IT0	IT1	IT2	IT3
—	10	20	40	60	100
10	18	30	50	80	120
18	30	40	60	100	160
30	50	40	60	100	160
50	80	50	80	120	200
80	120	60	100	160	240
120	180	80	140	200	310
180	250	120	180	280	390
250	315	—	240	310	470

Reference ISO 286.

Housing Geometry Requirements



Housing Tolerances

Description	Symbol	Tolerance value	MV ABEC 7 (ISO P4)	MMV/MM ABEC 7/9 (ISO P4S)	MMX ABEC 9 (ISOP2)
Roundness	⊙	t1	IT2	IT1	IT0
Parallelism	//	t2	IT2	IT1	IT0
Squareness	⊥	t3	IT2	IT1	IT0
Concentricity	⊙	t4	IT3	IT2	IT2
Surface Finish	Ra		16 (μin.)	or	0.4 μm

Housing journal diameter (D) mm		Units – micrometer (μm)			
>	≤	IT0	IT1	IT2	IT3
10	18	0.8	1.2	2.0	3.0
18	30	1.0	1.5	2.5	4.0
30	50	1.0	1.5	2.5	4.0
50	80	1.2	2.0	3.0	5.0
80	120	1.5	2.5	4.0	6.0
120	180	2.0	3.5	5.0	8.0
180	250	3.0	4.5	7.0	10.0
250	315	3.5	6.0	8.0	12.0
315	400	4.5	6.0	8.0	12.0

Housing journal diameter (D) mm		Units – microinches (μin.)			
>	≤	IT0	IT1	IT2	IT3
10	18	30	50	80	120
18	30	40	60	100	160
30	50	40	60	100	160
50	80	50	80	120	200
80	120	60	100	160	240
120	180	80	140	200	310
180	250	120	180	280	390
250	315	140	240	310	470
315	400	180	240	310	470

Reference ISO 286.

MOUNTING DESIGNS

Obtaining good spindle accuracy depends not only on selecting the proper precision bearings but also on the following factors:

- Good design and machining of the components that support the bearing (roundness and alignment of the seats, squareness of backing shoulders of both the spindle and the housing, and surface finish).
- Correct use of information given on bearings.
- Correct fitting practices.
- Appropriate bearing setting.

Selection of the most appropriate mounting design is largely dictated by optimizing the stiffness, speedability and ease of assembly.

DESIGN AND ACCURACY OF MOUNTING SURFACES

The total runout of a spindle-bearing-housing system is a combination of the runout of each component. A precision bearing will assume the shape of the spindle and perpetuate whatever runout is present. If the runout is caused by a defective housing, the spindle and bearing will simply transmit the error to the workpiece. Therefore, particular attention needs to be paid to the design and accuracy of the mounting surfaces.

The primary function of the inner or outer ring seat and abutment is to positively establish the location and alignment of the bearing under all loading and operating conditions. To achieve optimum bearing performance, it is essential to design housing seats and abutments that are round and square in alignment with the spindle axis. Shoulders must be of sufficient section and design to resist axial deflection under load. The shoulder diameters should be respected to help obtain optimum bearing performance.

HOUSING DESIGN

Housings are usually made of cast iron or steel and are generally heat-treated to lessen possible distortion. For smaller high-speed applications, steel housings are preferred.

The bore of the housing should be ground or bored and checked at a number of points throughout its length and diameter to ensure that it is round and does not taper.

It is preferable to mount the bearings in one casting; this permits machining the two housing bores in one setting, as well as accurate alignment of the bearings.

In many cases of machine design, it is advantageous to employ a subhousing or a steel sleeve between the outer ring of the bearing and the machine frame, thus allowing assembly of the bearings on the shaft and insertion of the entire unit into the machine frame. This method also provides a surface of proper hardness where machine frames are made of a material that has a low Brinell value, such as aluminum and other soft metals.

Shaft shoulders and housing shoulders should be square and true, and should be of such diameters as to meet the suggestions shown with the part numbers given. The choice between fillets and undercut reliefs rests with the individual shaft design and conditions surrounding its normal use. Suggested housing geometry requirements are discussed on pages 89 and 91.

Where screws are used to fasten end caps into the main housing, adequate section should be left between the screw hole and the housing bore. This is required to prevent distortion of the housing bore when the screws are tightened and the covers or others parts are pulled tightly into place.

Prior to assembly, shafts and housings, as well as all lubricant holes and channels, should be cleaned thoroughly to remove all chips and particles that may be carried by the lubricant into the bearings and cause bearing damage.

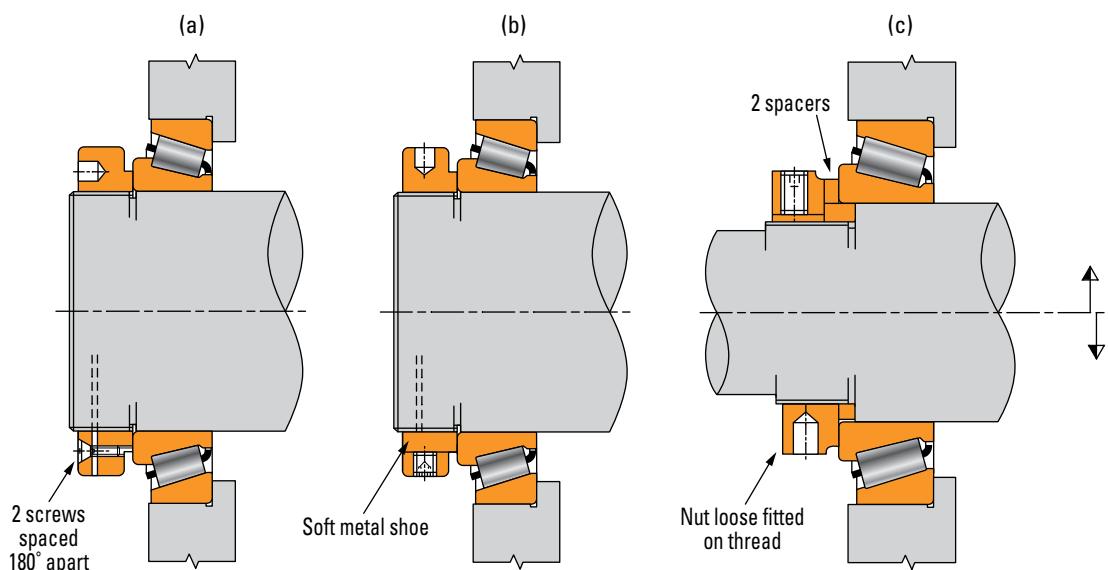
HOUSING SEALS

A labyrinth combination of slinger and end cover provides a highly effective seal against the intrusion of foreign matter. This seal is suggested for use over a wide range of speeds. For slower-speed applications, a combination of slinger and a commercial contact-type seal is usually employed.

Slingers should be machined all over to assure true-running. Their diameters should be concentric with the bore. The outside diameter of the slinger is often tapered to throw off cutting compounds, coolants, etc., from the point at which such liquids may enter the spindle. A drip or run-off groove adjacent to the open lip of the end cover is highly desirable and practical.

The axial clearances of the internal faces between slinger and end cover should be about 1.600 mm (0.0629 in.). The first radial clearance opening on any design through which liquid may pass should be made very close, about 0.089 mm (0.0035 in.) on a side. The inner radial clearances should be between 0.380 mm (0.0149 in.) and 0.190 mm (0.0075 in.).

Fig. 71. Locking devices.



SHAFTS

Shafts are preferably made from hardened and ground steel; and, where suitable, a hardness of 45-50 HRC has been successful. When designing a spindle or shaft, it is highly desirable to plan so that it can be ground all over in one setting as a final operation. This promotes true balance and running accuracy, which are critical in high-speed applications. Suggested shaft geometry can be found on pages 89 and 90.

LOCKING DEVICES

In most cases, simple 2TS(F) spindle layouts are adjusted by correct positioning of the tail bearing cone. A commonly used device is a precision adjusting nut. A locking device must be provided to properly maintain the nut after setting: either axially by means of two screws 180 degrees opposite pinching the threads (Figure 71a), or radially by pressure of a screw on a soft metal shoe (Figure 71b).

For improved accuracy, a ground spacer in conjunction with a square-ground spindle shoulder and a locking precision nut also can be used (Figure 72). Good parallelism of the ground spacer faces as well as the squareness of the spindle shoulder will ensure a perfect positioning of the cone backface. This mounting configuration also offers assurance that the initially defined setting cannot be interfered with by the final user. Figure 71c shows two different solutions with ground spacers. Note the practicality of the above centerline solution, which allows the spacer to both increase or decrease the initial setting.

A well-known method of providing good spindle alignment, roundness and backing squareness is to grind the cone seats and the backing shoulders during the same operation (Figure 73). In this method, the grinding of the square backing of the adjusting nut (if any) also can be achieved by locking the nut on its thread. This eliminates any possible default of the nut due to internal thread clearance.

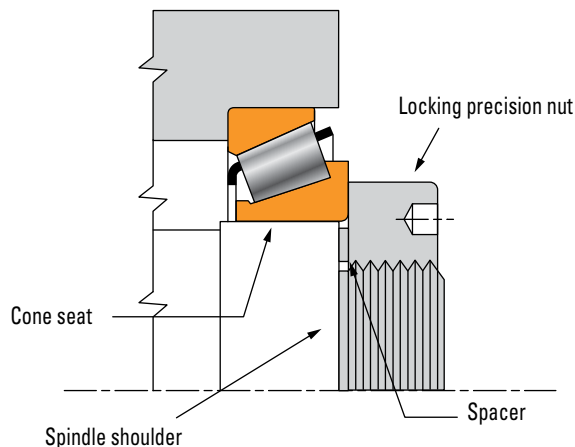


Fig. 72. Using ground spacer and spindle shoulder together with a precision nut for improved accuracy.

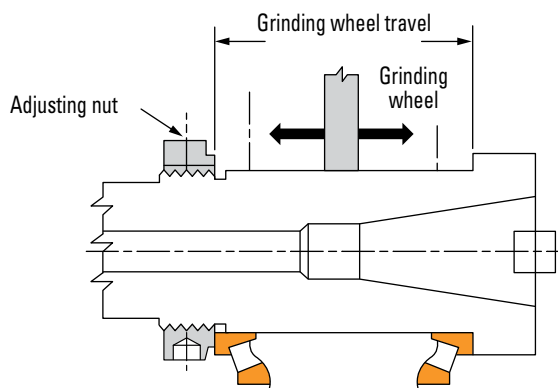


Fig. 73. Grinding of cone shaft and backing shoulders.

TAPERED ROLLER BEARINGS

Tapered roller bearings are generally used in two fundamental spindle design configurations:

- Three-support mountings for heavily loaded or long spindles.
- Simple mounting of two single-row bearings.

Three-Support Mounting

Figure 74 shows the “box type” mounting using three bearings. The two nose bearings are located axially (fixed position) and accept axial forces in both directions, while the tail bearing is fitted as a floating position to accommodate the thermal expansion of the spindle. The floating position can be supported either by a tapered roller bearing or a cylindrical roller bearing.

This kind of arrangement is mainly used for special heavy machines running at low or medium speeds, or for long spindle designs.

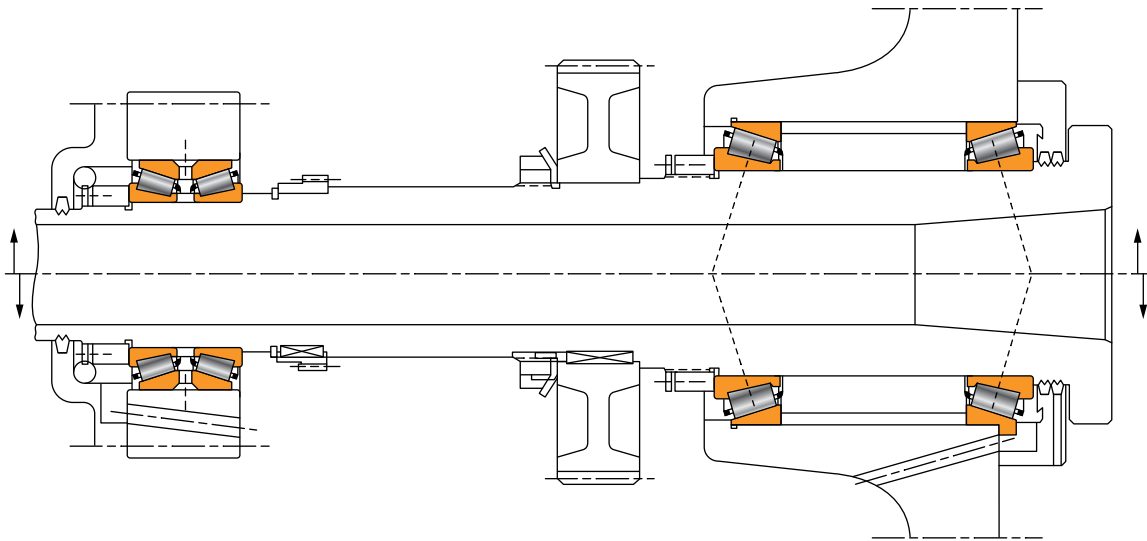


Fig. 74. “Box-type” mounting with a TRB at the floating position.

Simple Mounting

The evolution of two single-row bearing arrangements for spindles, discussed below, is directly related to the speed requirements and, consequently, the lubrication modes (see page 56).

TS and TSF Arrangement

The spindle is supported by one bearing at the nose position and a second one at the tail position. This layout offers the advantage of being a simple isostatic design that allows easy machining of adjacent parts. The mounting and setting procedures can be achieved without any specific tooling.

Static stiffness calculations of the spindle-bearing system allow the optimum bearing spread to be determined precisely for each mounting, as a function of the overhung value of the spindle nose. A good approximation, however, is to consider that the distance between bearing centers should be of two and a half to three times

the spindle nose diameter. This represents an optimum value not only for stiffness, but also for thermal equilibrium.

Figure 75 represents the simplest layout of a two single-row bearing concept. The view above the centerline shows flanged cups (Type TSF) allowing a through-bore machining concept for the housing, which offers increased accuracy with no need for cup backing shoulders. The arrangement shown below the centerline uses two single-row bearings (Type TS).

The bearings are adjusted by means of a ground spacer locked by a precision nut. Lubrication is often achieved by oil circulation, which enters through radial oil inlets or special high-speed grease.

As shown below, the next evolution of this arrangement consists of improving the lubrication system by using appropriate jets for oil inlets and cooling (Figure 76 and Figure 77).

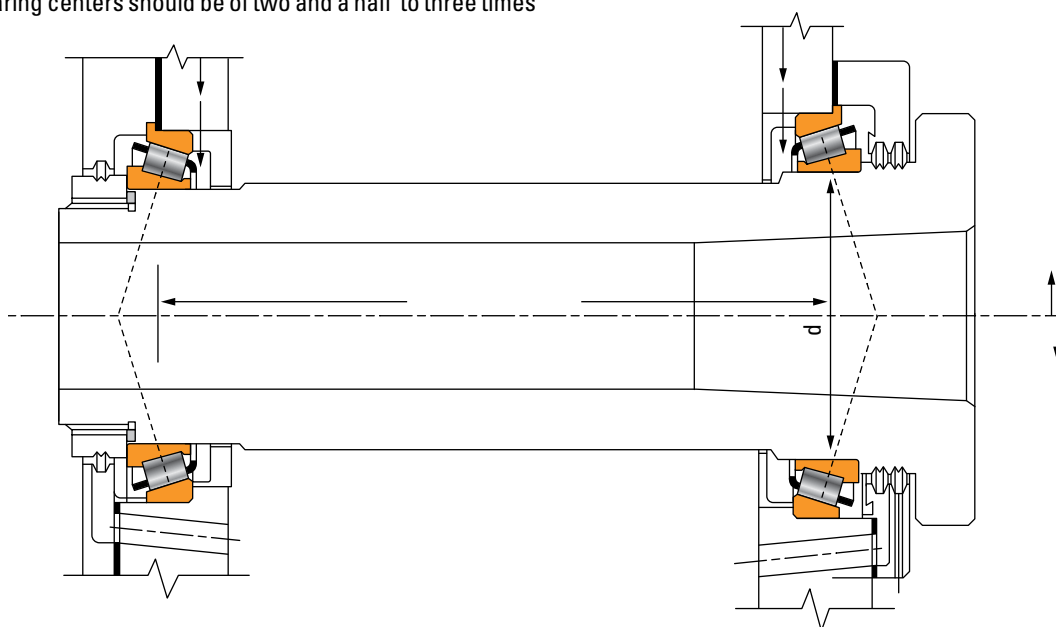


Fig. 75. Simple mounting with a pair of TS or TSF bearings.

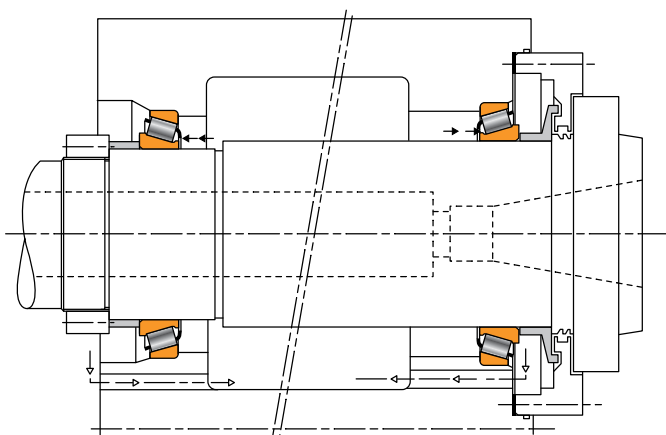


Fig. 76. Simple paired TS mounting with oil inlet at the small end of the rollers.

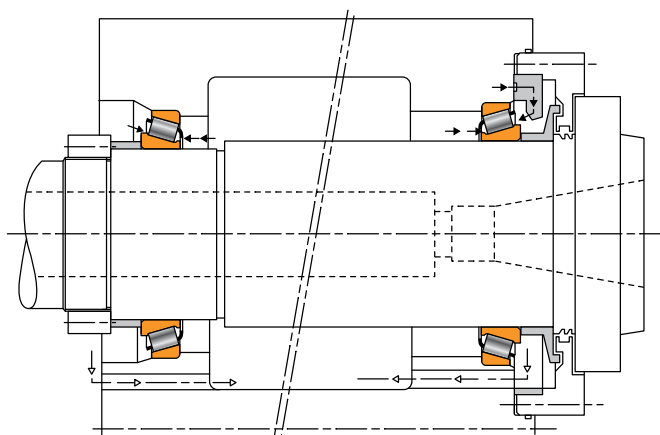


Fig. 77. Simple paired TS mounting with oil jets at both ends of the rollers for inlet and cooling.

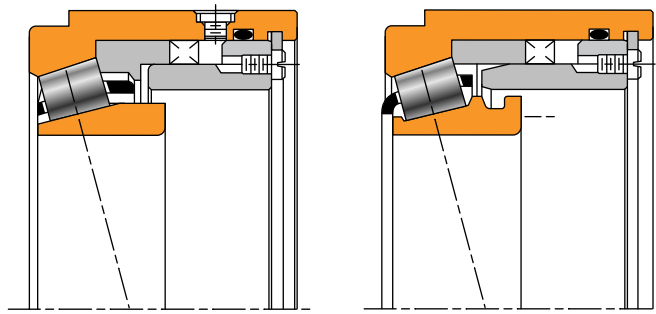


Fig. 78. Two designs of the Hydra-Rib bearing.

TS(F) and Hydra-Rib

A typical spindle arrangement is the combination of a Hydra-Rib bearing with a single-row TS bearing (Figure 79). The Hydra-Rib bearing is fitted at the tail position and the TS bearing at the nose position of the spindle. The outer ring rib simplifies the lubrication at high speed since the natural flow of the oil under centrifugal effect feeds the oil to the rib. A simple axial oil inlet above the cage on the small roller end is therefore sufficient for lubricating the Hydra-Rib bearing.

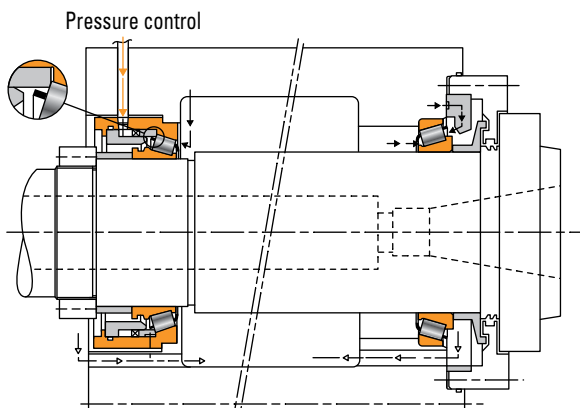


Fig. 79. Simple mounting with a Hydra-Rib cooled by an axial oil inlet and a TS bearing with oil jets at both end of the rollers for inlet and cooling.

TSMA and Hydra-Rib

Figure 80 shows the same arrangement with a TSMA bearing. This arrangement allows the widest range of operating speeds, under optimum preload.

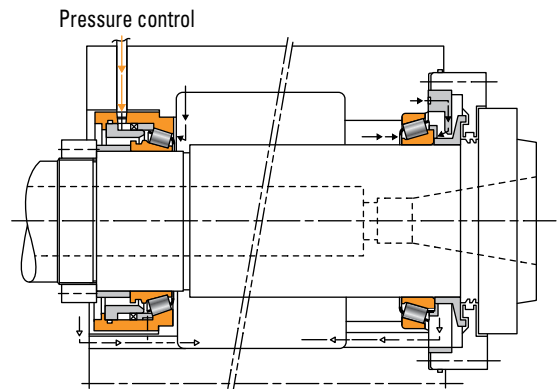
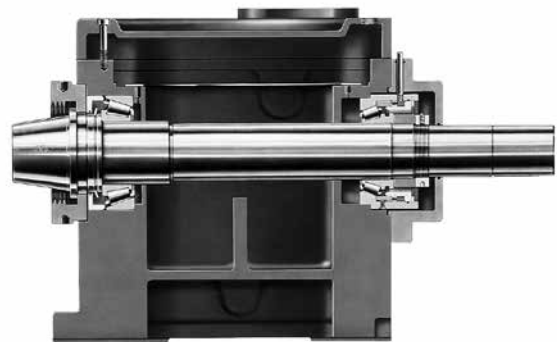


Fig. 80. Simple mounting with a Hydra-Rib bearing cooled by an axial oil inlet and a TSMA bearing with oil jets at both ends of the rollers for inlet and cooling.

TXR(DO)

A typical mounting arrangement for the type TXRDO crossed roller bearing is shown in Figure 81.

The arrangement shown is for lubrication by oil circulation in conjunction with an oil level. It can, however, be designed for grease lubrication with appropriate sealing arrangements.

The bore of the housing (DH) and the diameter of the spigot (DS) (Figure 82) should be machined to give a mean of the suggested interference fits (pages 86-87).

The bearing is adjusted externally by segments beneath the top inner ring clamping plate (Figure 82) to get the required preload.

Your Timken representative should be consulted for more details about the use of crossed roller bearings.

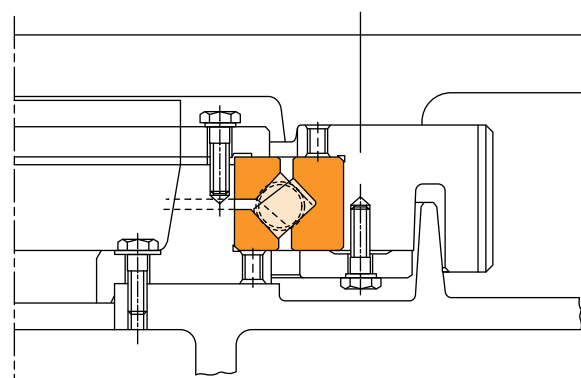


Fig. 81. Typical mounting arrangement of a TXRDO bearing.

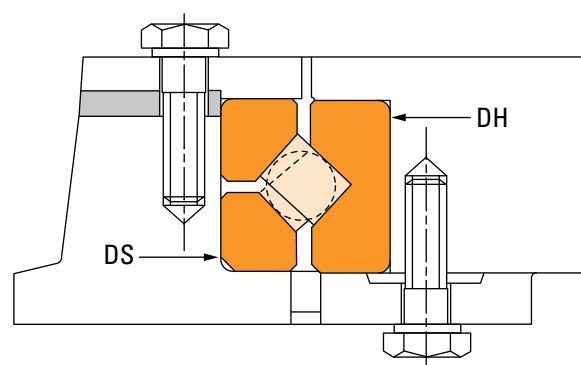


Fig. 82. Fitting and setting of TXR bearings.

DUPLEX BALL BEARINGS

**Back-to-Back Mounting, DB or (“O”)
(Contact angles diverging toward shaft centerline)**

Before mounting, there is clearance between the two adjacent inner ring faces. After mounting, these faces are clamped together to provide an internal preload on each bearing. This arrangement is well-suited for pulleys, sheaves and other applications where there are overturning loads and also all floating positions where thermal expansion of the shaft occurs. It also provides axial and radial rigidity and equal axial capacity in either direction when used in a fixed location. Back-to-back is the most commonly used of all duplex arrangements. Timken pairs for back-to-back mounting should be ordered as DU. Example: 2MM207WI-DU. Also available as two single flush-ground bearings, e.g., -SU (two bearings).

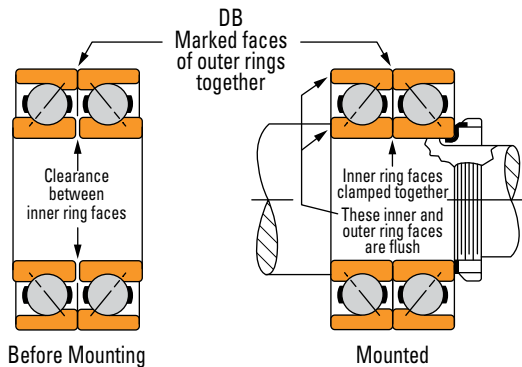


Fig. 83. Back-to-back bearing assemblies before and after mounting.

**Face-to-Face Mounting, DF or (“X”)
(Contact angles converging toward shaft centerline)**

Before mounting, there is clearance between the two adjacent outer ring faces. After mounting, these faces are clamped together between the housing shoulder and cover plate shoulder, providing an internal preload on each bearing. This arrangement provides equal axial capacity in either direction as well as radial and axial rigidity. Since the face-to-face mounting has inherent disadvantages of low resistance to moment loading and thermal instability, it should not be considered unless a significantly more convenient

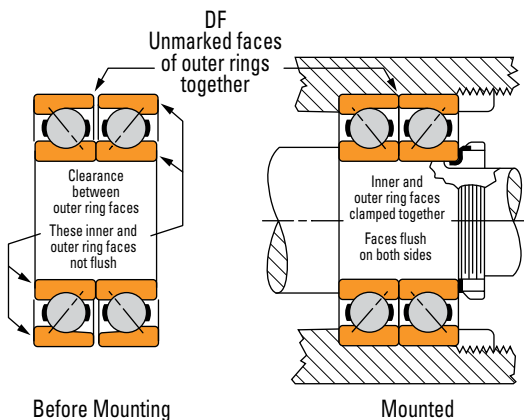


Fig. 84. Face-to-face bearing assemblies before and after mounting.

method of assembly or disassembly occurs from its use. Timken pairs for face-to-face mounting should be ordered as DU. Example: 2MM212WI-DU. Also available as two single flush-ground bearings, e.g., -SU (two bearings).

Tandem Mounting, DT

Before mounting, the inner ring faces of each bearing are offset from the outer ring faces. After mounting, when an axial load is applied equal to that of twice the normal preload, the inner and outer ring faces are brought into alignment on both sides. This arrangement provides double axial capacity in one direction only. More than two bearings can be used in tandem if additional axial capacity is required. Timken pairs for tandem mounting should be specified as DU. Example: 2MM205WI-DU. Also available as two single flush-ground bearings, e.g., -SU (two bearings).

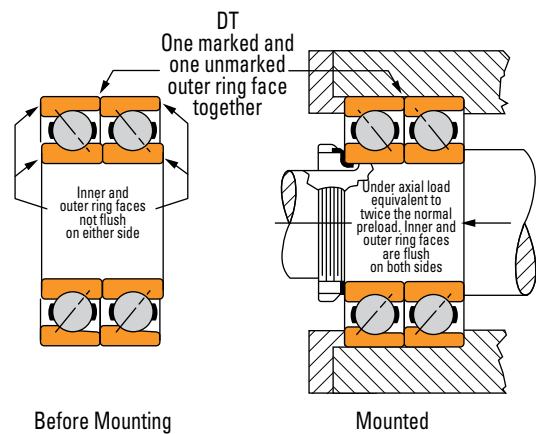


Fig. 85. Tandem bearing assemblies before and after mounting.

Other Mountings

Flush-ground (DU) pairs may be mounted in combination with a single flush-ground bearing as a “triplex” (TU) set shown below. Also shown below is a “quadruplex” (QU) set where three bearings in tandem are mounted back-to-back with a single bearing. These arrangements provide high capacity in one direction and also a positively rigid mounting capable of carrying a moderate amount of reverse thrust.

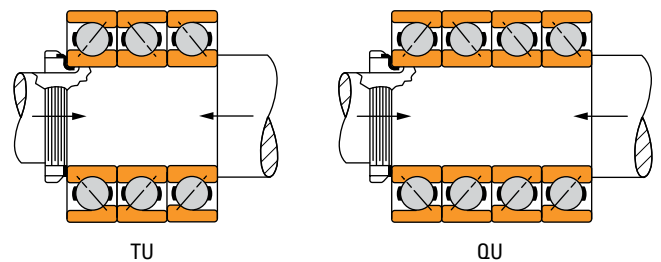


Fig. 86. Typical triplex and quadruplex bearing mountings.

Back-To-Back Versus Face-To-Face Mountings

Mountings having bearings applied in any of the face-to-face (DF) arrangements are objectionable because they provide the least rigidity. Furthermore, when the operating speeds are comparatively high, such mountings may buildup bearing preload excessively because of the temperature gradient between the housings, bearings and shafts. As this gradient increases, the bearing preload builds up, starting a detrimental cycle that may lead to premature spindle damage.

In spindle mountings, the shaft temperature usually changes at a faster rate than the housing, creating temperature differentials between the two members. These are due to their difference in mass and their respective abilities to act as heat sinks. Thus, the shaft and the inner-ring spacer expand at a faster rate than the housing and the outer-ring spacer. As the shaft expands longitudinally and the inner-ring spacer lengthens, an axial load builds up on each bearing and continues to increase until the equilibrium temperature is reached. This occurs when the temperature at the housing levels off and the heat transferred from the bearings balances the heat generated within the system. Therefore, if the housing attains an excessively high temperature, the initial bearing temperature is built up considerably.

In a face-to-face mounting, Figure 87, the shaft expands radially and longitudinally and the inner-ring spacer lengthens, but at a faster rate than the outer-ring spacer. This thermal expansion causes an additional axial load to be imposed on both inner rings, increasing the preload of the bearings. Conversely, in back-to-back mounting, Figure 88, the longitudinal expansion of the inner-ring spacer tends to relieve, rather than build up, the bearing preload.

The two back-to-back pairs, shown in Figure 89, are mounted so that the two middle bearings are face-to-face. As previously observed, temperature differentials cause the preload of these inner bearings to increase during operation. This mounting operation is not suggested. In bearing mountings of the system seen in Figure 90, undue axial loads are put on the two outer bearings as the temperature along the shaft becomes higher than at the housing. The two inner bearings unload, starting a vicious cycle of increasing temperature, preload buildup and lubricant breakdown. This also is an unacceptable mounting arrangement and is not suggested. The same bearings are shown correctly mounted in tandem and arranged back-to-back in Figure 91. Lateral expansion of the shaft and inner-ring spacer of such mountings increases neither axial loading nor bearing preload.

Therefore, to prevent increases in preload due to the thermal expansion, back-to-back mountings are preferred for bearings on machine tool spindles. When two pairs are used, each pair should be mounted in tandem, but the combination should be arranged back-to-back as in Figure 91.

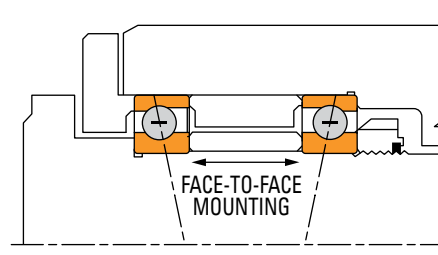


Fig. 87. DF Mounting, fixed (not suggested).

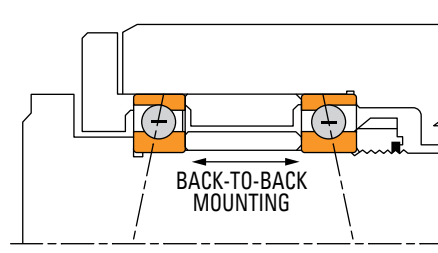


Fig. 88. DB Mounting, fixed (suggested).

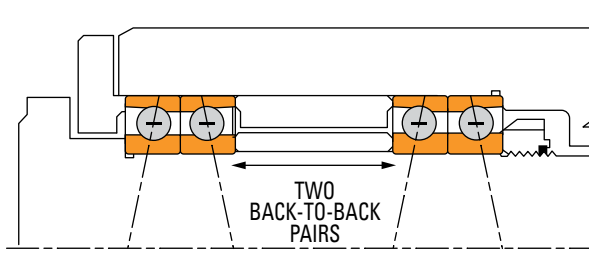


Fig. 89. DB-DB Mounting, fixed (not suggested).

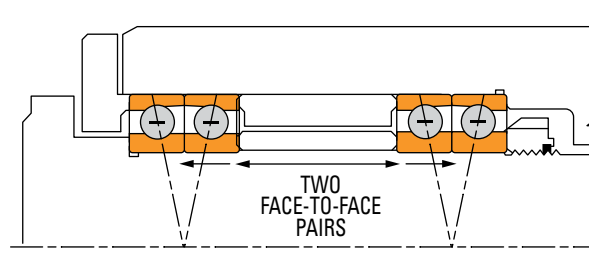


Fig. 90. DF-DF Mounting, fixed (not suggested).

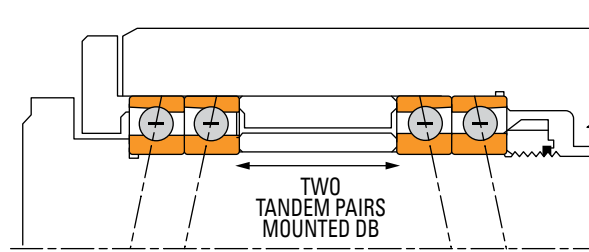


Fig. 91. DT-DB Mounting, fixed (suggested)

Spring-Loaded Mountings

For high-speed applications, radial and axial rigidity and smooth spindle performance may be obtained by spring-loading the ball bearings with a predetermined axial load. Spring-loading allows the spindle to float laterally during temperature changes without appreciably increasing or decreasing the original spring axial load.

As the inner ring heats up during operation, it expands radially. This radial expansion applies an increasing load through the ball and outer ring and finally to the preload springs. The preload springs deflect slightly to compensate for the loads due to thermal expansion and maintain a consistent load on the spindle system.

In some applications, single, spring-loaded bearings are employed at the front and rear locations, mounted in back-to-back arrangement. Other mountings, similarly spring-loaded, have a pair of bearings installed in tandem at each end of the spindle in back-to-back arrangement (DT-DB). In either case, the spring pressure is applied to the pulley-end or rear bearing position, placing the shaft in tension between the two bearing locations.

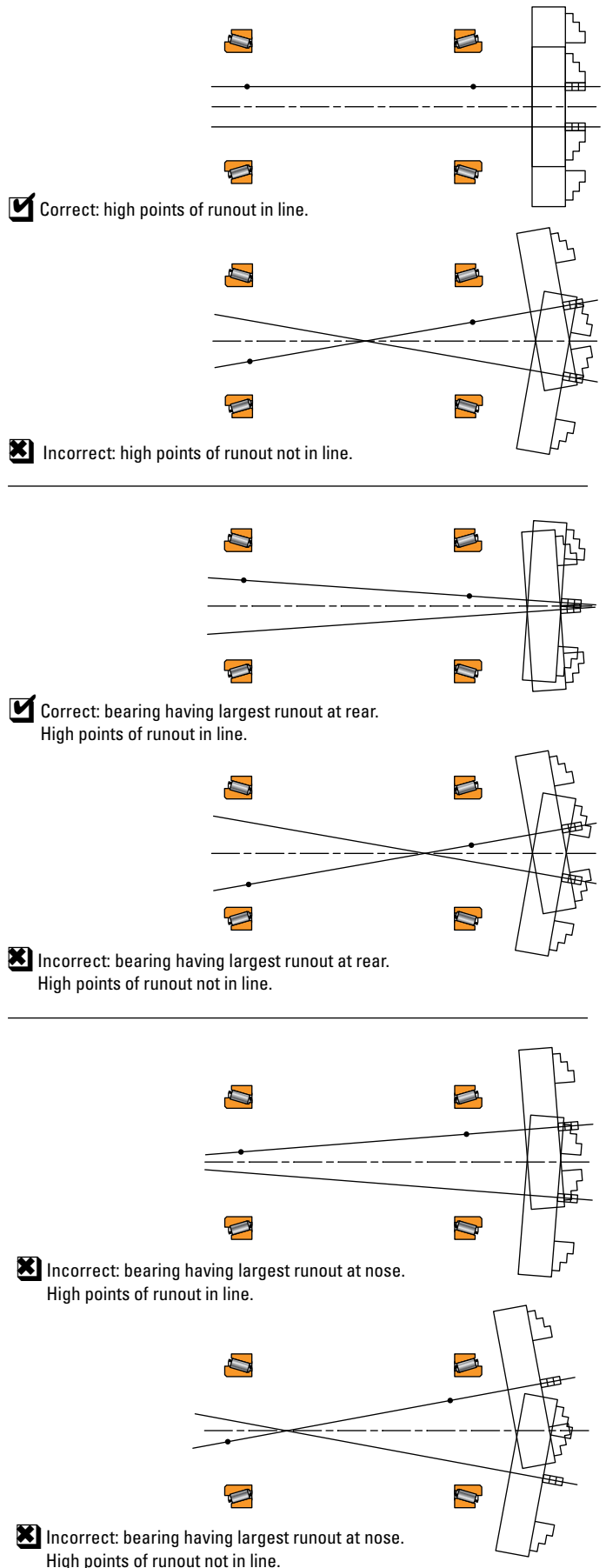
High Points of Runout

The correct use of the high point of runout etched on the bearing components allows the accuracy of the spindle to be optimized. The components should be mounted in the housing and on the spindle so that the high points are aligned with each other. In other words, the inner ring is fitted on the spindle so the high point of the rear ring is aligned with the high point of the nose bearing. Similarly, the high points of the outer ring are aligned in the housing.

To obtain maximum precision, and when the high points of runout of both the spindle and the housing are known, the respective high points of the bearing components should be 180 degrees opposite to those of the spindle and the housing. This will tend to neutralize the eccentricity and minimize the effect of the high spots of all components. The figures to the right show typical examples of the correct and incorrect use of the high point of runout of bearings.

The greatest accuracy can be provided by grinding the spindle nose after the bearings are installed. This procedure will produce spindle runout considerably smaller than the bearing runout.

Fig. 92. The effect of bearing runout high point locations on spindle accuracy.



SETTING AND PRELOADING GUIDELINES

TAPERED ROLLER BEARINGS

The optimum operating setting of a bearing system has a direct influence on the spindle performance as far as accuracy, dynamic stiffness, operating temperature and cutting capabilities are concerned.

An operating setting range between zero and light preload is generally the optimum value for simple dual TS or TSF layouts.

To reach this range, it is important to evaluate the different parameters that will directly influence the operating setting in order to determine the cold-mounted setting:

- Rotating speed.
- Applied loads.
- Spindle layout.
- Lubrication system.
- External sources of heat.

This evaluation occurs generally during the testing phase of the spindle because of the complexity of each individual parameter and the interaction of all of them during running conditions. At the same time, it also is important to consider the bearing layout and particularly the bearing spread to evaluate their effect on bearing setting.

It has been demonstrated that an optimum bearing spread for stiffness exists. In the same way, an optimum spread for thermal stability can be determined should this be the overriding factor.



Under steady-state temperature conditions, the spindle and housing temperature is not uniformly distributed. Generally, a temperature gradient of 2° C to 5° C (4° F to 9° F) exists between the spindle and housing. This phenomenon is valid for any type of bearing and has a direct influence on the bearing setting. In the case of pure radial roller bearings, such as cylindrical roller bearings, the radial setting will vary proportionally to the

radial temperature gradient without any possibility for correction. The use of tapered roller bearings allows the radial loss of end play due to the gradient between the spindle and the housing to be compensated by the axial expansion of the spindle with respect to the housing through optimization of the bearing spread.

Figure 93 shows a graphical way to determine this optimum spread. To define the optimum spread for thermal compensation or to calculate the effect on setting for a given spread in a simple 2TS(F) bearing system, the designer can use the formula below for ferrous housings and spindles.

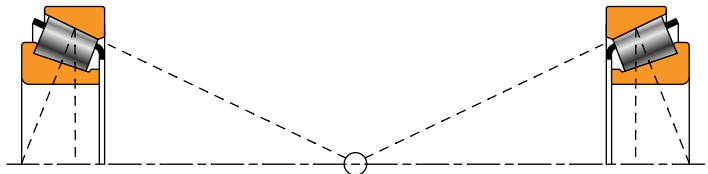


Fig. 93. Graphical determination of optimum thermal spread.

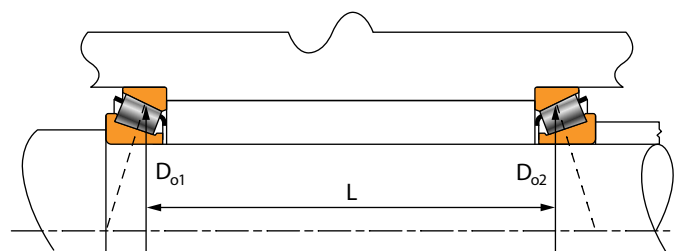


Fig. 94. Resulting distance between bearing geometric centerlines.

$$\text{Loss of end play} = 12 \times 10^{-6} \times t \times \left[\left(\frac{K_1}{0.39} \times \frac{D_{o1}}{2} \right) + \left(\frac{K_2}{0.39} \times \frac{D_{o2}}{2} \right) - L \right]$$

Where:

t = temperature difference between shaft / inner ring rollers and housing / outer ring ($\theta_s - \theta_h$) (°C)

K₁ and K₂ = respective K factor of bearings 1 and 2 from bearing tables

D_{o1} and D_{o2} = respective outer race mean diameter (mm)

L = distance between bearings geometric centerlines (mm)

A

During the starting period, care must be taken because the radial thermal expansion is not immediately compensated by the axial expansion of the spindle. That occurs later. During this "transient period," a decrease of the axial end play or an increase of preload is generally recorded (Figure 95). The loss of end play can be calculated by using the same formula, but ignoring the parameter "L." For this reason, it is generally recommended to initially set the bearings with a light, cold end play to avoid any bearing burn-up, due

to excessive preload during the transient temperature rise. During the testing phase, it will be possible to modify this initial end play to obtain the optimum setting for the application.

Figure 95 shows also that a three-support layout is more sensitive to thermal effects, leading to a higher temperature rise and loss of end play, than a simple arrangement because of the short bearing geometric spread at the fixed position.

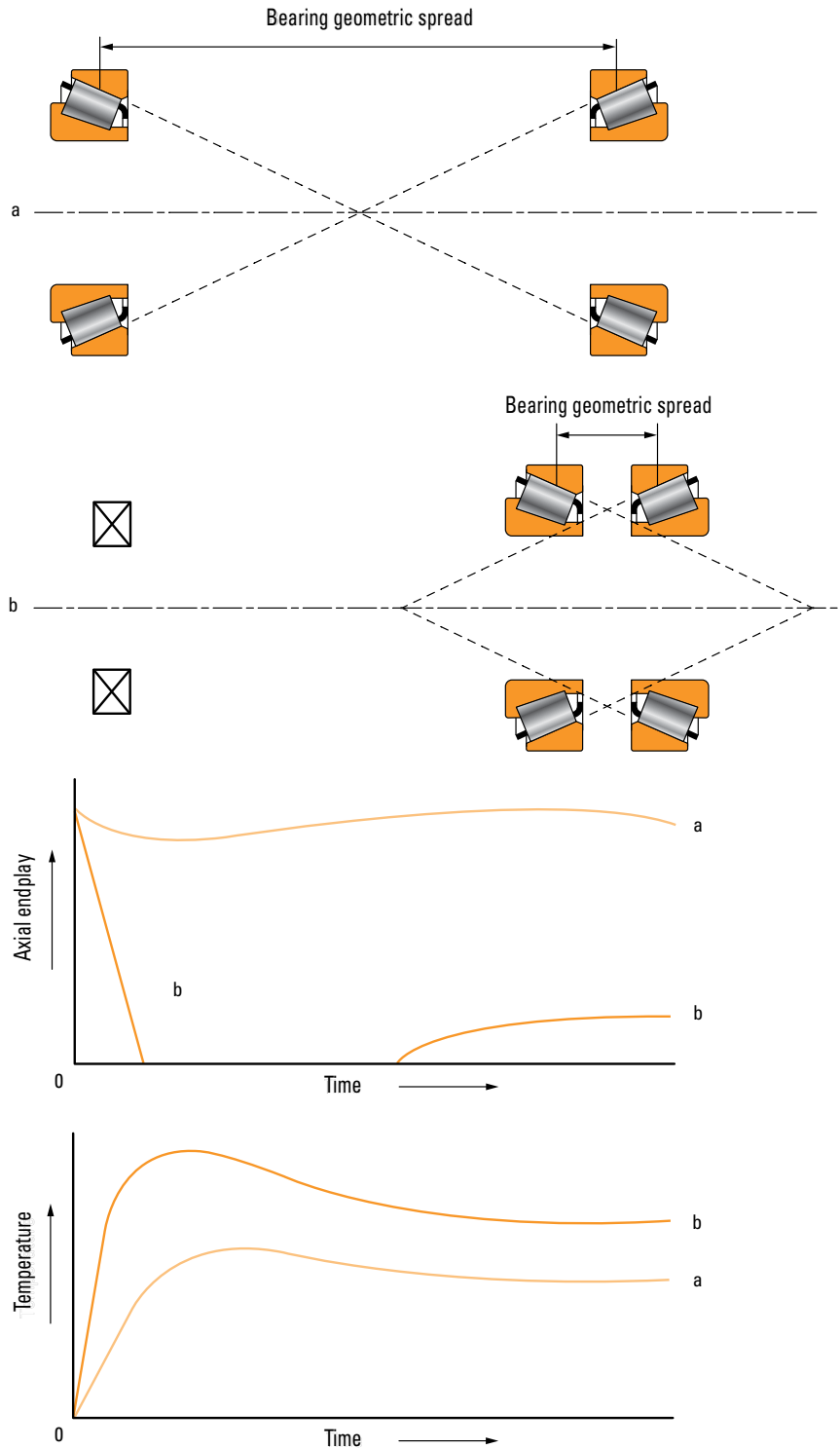


Fig. 95. Evolution of the spindle system setting and temperature during the transient period:
a) Simple mounting
b) Three-support mounting.

BALL BEARINGS

Preloading of precision ball bearings to a predetermined axial load for “universal” mounting is accomplished by grinding a certain amount of stock off faces of the inner and outer rings so that before mounting the bearing, faces on the abutting side are offset an amount equal to the deflection under “preload.” When mounted, these faces are clamped together, the opposite bearing faces become flush and the bearing parts are subjected to compressive forces, bringing the balls into contact with their respective raceways to take up the initial clearances of the bearings. Thus, the preload built into the bearings is automatically obtained. The condition of a preloaded ball bearing is similar to that of one in operation under axial load. This initial axial load serves to decrease the axial and radial deflections when subsequent operational loads are imposed on the bearing assembly.

Bearings are preloaded no more than necessary. Excessive preload adds little to the rigidity of the spindle, but appreciably reduces the range of operating speeds by causing bearings to run hot at higher speeds. To meet conditions of speed, mounting arrangement and maximum rigidity consistent with low operating temperatures, Timken precision ball bearings are designed and produced with preloads varying from light to heavy and, in some instances, with negative preload.

In many cases, the amount of bearing preload is a trade-off between having the desired degree of rigidity and reducing any adverse effect preloading has on the equipment. If the operating speed is high, a heavy preload can lead to excessively high operating temperatures, resulting in shortened bearing life. For these reasons, three classes of ball bearing preloads are most commonly used – light, medium and heavy. In certain applications, such as high-speed motorized router spindles, specially preloaded, super precision ball bearings are required. Such bearings are “zero” preloaded – that is, the faces of the inner and outer rings are ground flush under negligible load.

The light, medium and heavy standard preload values for Timken super precision angular contact ball bearings and for both high and low contact angles are located with the dimension tables in Section C.

Axial deflection curves of various preload conditions for duplex pairs of 15 degree contact angle super precision ball bearings are shown in Figure 96 and the radial deflection curves for the same bearings are shown in Figure 97.

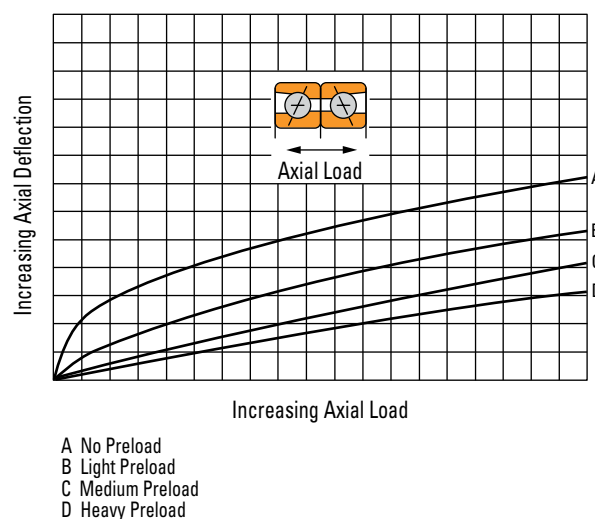


Fig. 96. Effect of most commonly used preloads on axial deflection.

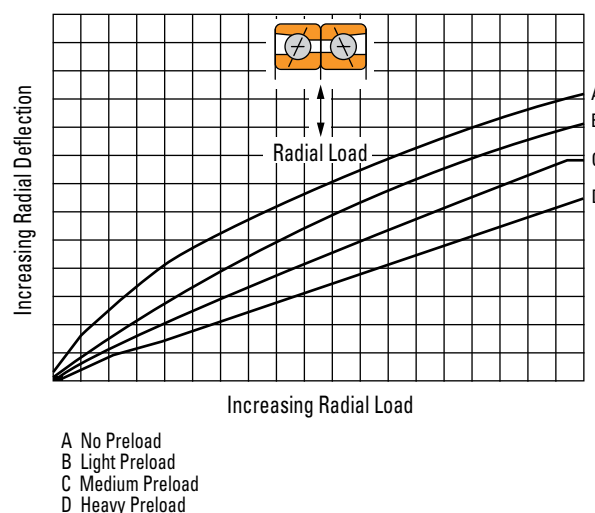


Fig. 97. Effect of most commonly used preloads on radial deflection.

Timken application engineering expertise is only a phone call away. Highly skilled technical assistance can be reached by calling (US and Canada): 1-800-223-1954. Outside this region, call 330-438-3000 or visit our website at:

www.timken.com

ENGINEERING



A

NOTES

TAPERED ROLLER BEARINGS

B

B

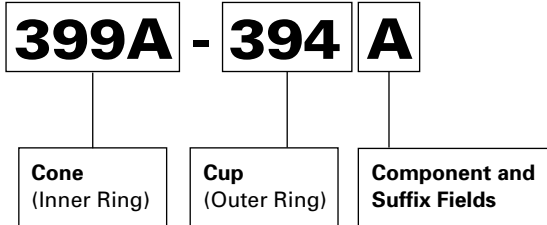
B PRECISION TAPERED ROLLER BEARINGS

<i>Part Numbering Systems</i>	107
<i>Introduction</i>	110
<i>TS Style – Metric, Inch</i>	112
<i>TSF Style – Metric, Inch</i>	116
<i>TXR Style – Metric, Inch</i>	120
<i>TSHR Style – Metric, Inch</i>	122

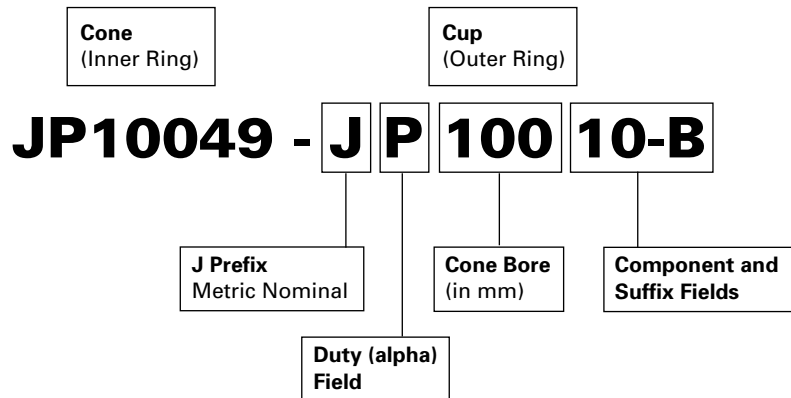
B



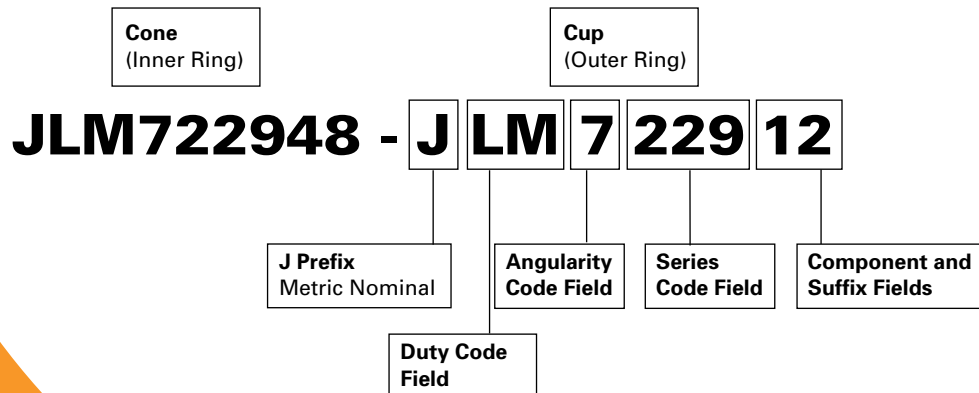
Precision Tapered Roller Bearings Timken System



Precision Tapered Roller Bearings ISO 355 Numbering System



Precision Tapered Roller Bearings ABMA Numbering System



For more information about numbering systems, see the following pages, or contact your Timken representative.

TIMKEN® PRECISION TAPERED ROLLER BEARINGS

The Timken bearing part numbering system has evolved over the years to accommodate various international standards put forth by both the ISO and ABMA organizations. To retain the integrity of Timken's proven initial designs and to support its extensive customer base, Timken recognizes the key numbering schemes as they have developed in the tapered roller bearing industry and as indicated here.

ORIGINAL TIMKEN SYSTEM

(cone) - (cup)

Ex: **399A-394A** (see common component/suffix)

- Family-design bearing group around a common roller (quantity and angle CAN vary).
- Unique component part numbers.

	Ex. I	Ex. II
Series	395	52000
Cup	399	52618
Cone	394	52387

- Numerical portion of part number has no significance in describing bearing size or type.

ISO 355 NUMBERING SYSTEM (application-oriented)

(cone) - (cup)
Ex: **JP10049-JP10010-B**

"J" Prefix
metric nominal bearings

see common component and suffix fields

Duty class
[C/D/F]: general purpose
[N]: general purpose+pinion
[P]: high speed, machine tool
[S/T]: pinions
[W]: high thrust loading

Cone bore (in mm)

Component field (final two digits of PN)

Series	00 (indicated by zeroes)	Ex: 87000 or 36600
Cups	10 through 19 (thinnest cup section is #10)	
Cones	30 through 49 (thinnest cone section is #49)	

(Overflow numbers : 20 through 29 as needed; 50 through 99 as needed)

Suffix code fields (one to three letters max.)

B:	Flanged cup
HR(A):	Hydra-Rib™ design (modified cup from standard)
P(H):	Customized for performance (non-interchangeable component)
E:	(Exclusive) non-interchangeable component

All components and variations in a given series are interchangeable.

ABMA NUMBERING SYSTEM (for inch and metric radial bearings)

(cone) - (cup)
Ex: **JLM722948-JLM722912**

see common component and suffix fields

"J" prefix
metric nominal bearings

Duty code field

EL: Extra light
LL: Lighter than light
L: Light
LM: Light-medium
M: Medium
HM: Heavy medium
H: Heavy
HH: Heavier than heavy
EH: Extra heavy
T: Thrust ONLY

Angularity code field

1	0 < 24°
2	24° < 25.5°
3	25.5° < 27°
4	27° < 28.5°
5	28.5° < 30.5°
6	30.5° < 32.5°
7	32.5° < 36°
8	36° < 45°
9	45°+
0	(excluding pure thrust) (thrust only)

Series code field

(Cone bore) over/incl.		
in.	mm	Code
<1	<25.4	00 to 19
1-2	25.4-50.8	20 to 99;000 to 029
2-3	50.8-76.2	030 to 129
3-4	76.2-101.6	130 to 189
4-5	101.6-127.0	190 to 239
5-6	127.0-152.4	240 to 289
6-7	152.4-177.8	290 to 339
7-8	177.8-203.2	340 to 389
8-9	203.2-228.6	390 to 429
9-10	228.6-254.0	430 to 469
10-11	254.0-279.4	470 to 509
11-12	279.4-304.8	510 to 549
12-13	304.8-330.2	550 to 570
13-14	330.2-355.6	580 to 609
14-15	355.6-381.0	610 to 639
15-16	381.0-406.4	640 to 659
16-17	406.4-431.8	660 to 679
17-18	431.8-457.2	680 to 694
18-19	457.2-482.6	695 to 709
19-20	482.6-508.0	710 to 724
20-21	508.0-534.4	725 to 739
21-22	534.4-558.8	740 to 754
22-23	558.8-584.2	755 to 769
23-24	584.2-609.6	770 to 784
24-25	609.6-635.0	785 to 799
25-30	635.0-762.0	800 to 829
30-35	762.0-889.0	830 to 859
35-40	889.0-1016.0	860 to 879
40-50	1016.0-1270.0	880 to 889
50-72.5	1270.0-1841.0	890 to 899
>72.5	>1841.0	900 to 999



ASSEMBLY CODES

- Five digit code:
 [Assy. No.]+[Timken code]+ [Bill of material code
 (first field is bearing precision class)]

Ex: 90B01 [Timken (internal) numbering system]

- Code is created at entry of initial custom order.
- For matched bearing assemblies: [cone PN]-[5-digit code]
 Ex: JP13049-90B01.
- For interchangeable components: [cone PN]-[cup PN]
 Ex: 29585-29520.

INSPECTION CODES

- Five characters (as 3 fields).
 Component: [Precision class]+[Timken code]+[Performance code]

Ex: C0030

SPECIAL PACKAGING

Timken® precision tapered roller bearings are shipped in boxes which employ a white colored box flap (vs. orange for standard bearings).

IDENTIFICATION TAGS

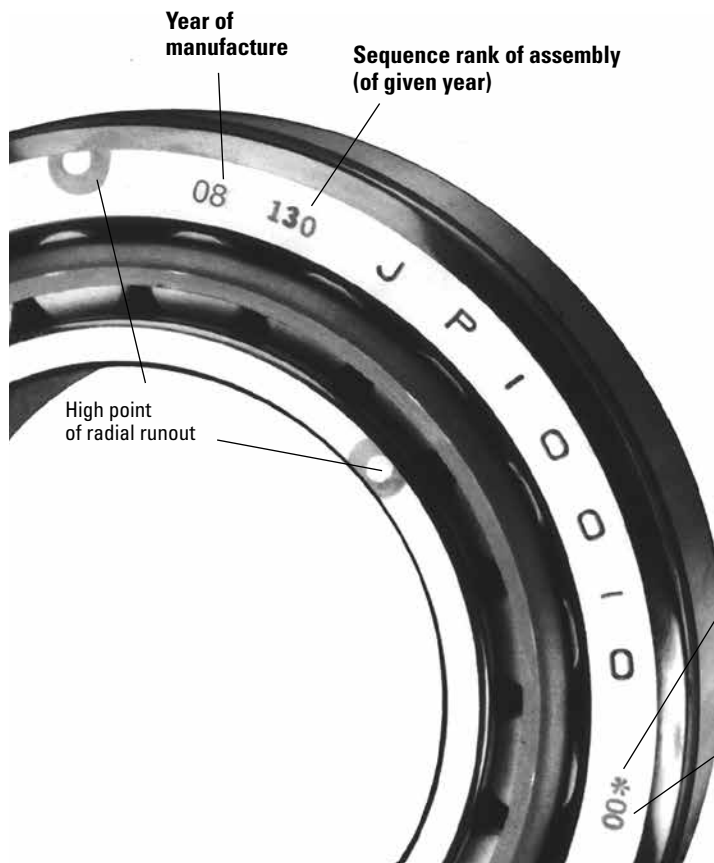
See the following page for a detailed description of the use and purpose of component or assembly attached identification tags.

BEARING PRECISION CLASS

- Indicated in inspection code.
- Each component is made to a precision class (tolerance and runout values are given in the Engineering Section).
- Tolerance structure differences within nominal inch and metric bearings.

PERFORMANCE CODES

- Printed on bearing box.
- Three digit alpha-numeric code; 900+ variations (contact your Timken representative).
- Specifies non-standard requirements of the given precision class.
- Assigned to individual components.



**[For non-tagged products]
 Nominal (Bore or O.D.) deviation indicator:**

Symbol	mm	in.
	(Over/Incl.)	(Over/Incl.)
*	0.000/-0.0025	0.0000/+0.0001
**	-0.0025/0.0050	+0.0001/+0.0002

Precision class indicator

Fig. 98. Other markings.

TAG MARKINGS

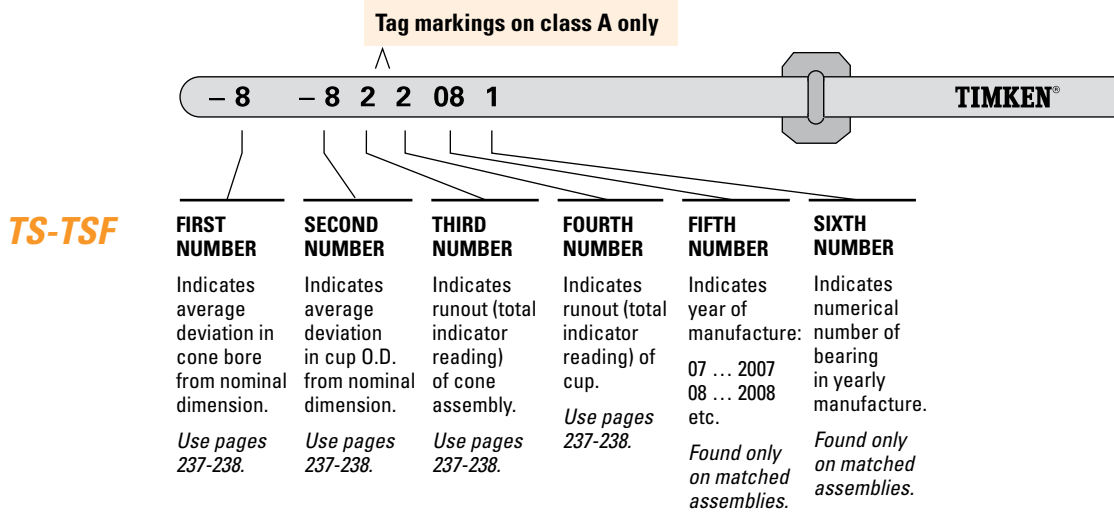
Bearing tag markings are a device to indicate accuracy of bearings and facilitate selective assembly.

The information given on the tag varies by metric and inch systems, bearing class and type.

All components more precise than Class C or 3 cones and cups are supplied as matched assemblies and are shipped as complete bearings.

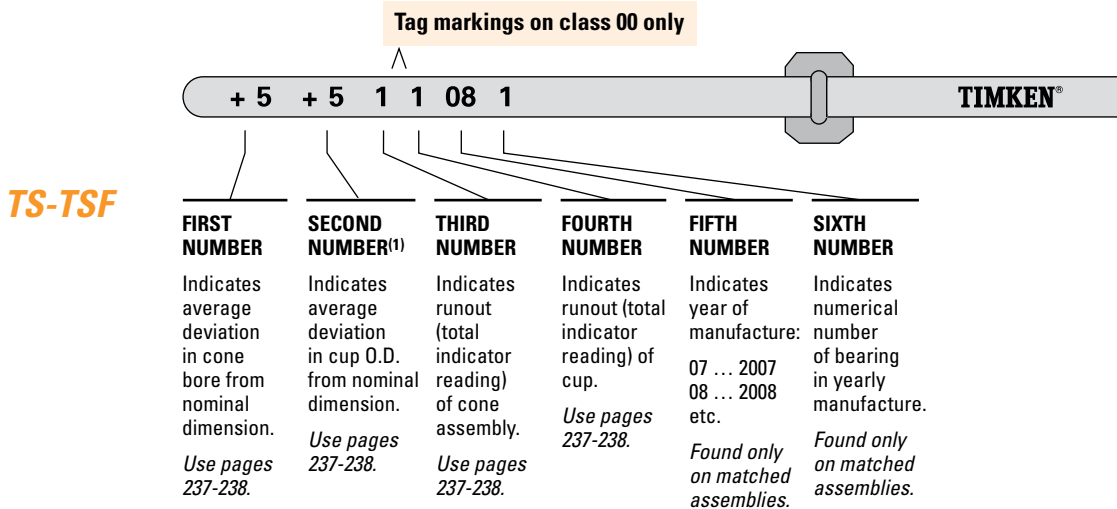
1. METRIC SYSTEM PRECISION BEARING TAG MARKINGS

Tags shown below are supplied with all Class A single row matched assemblies. Class B cups and cones are tagged if indicated on the performance code.



2. INCH SYSTEM PRECISION BEARING TAG MARKINGS

Tags shown below are supplied with all Class 00 cups and cones. Class 0 cups and cones are tagged if indicated on the performance code.



⁽¹⁾ Second number marked only on Class 3 product over 304.800 mm (12.0000 in.) cup O.D.

INTRODUCTION

Timken® tapered roller bearings have been used for many years in machine tool applications due to their widely recognized advantages in stiffness, load-carrying capacity, precision and reliability over other bearing designs.

The use of new ceramic and CBN cutting tools, together with increased spindle motor powers, has allowed much higher cutting speeds to be achieved in many applications. To maintain the same global accuracy level at these higher cutting speeds poses a challenge to develop optimum spindle designs. Timken has met this challenge by developing:

- Special internal bearing geometry.
- Innovative bearing designs.

Technical information is provided in the Engineering Section of this catalog to assist the designer in selecting the right bearing arrangement for a given application.

Because of their high capability to carry loads together with a relatively low level of applied loads in the machine tool industry, precision tapered roller bearings are seldom replaced for fatigue damage. The bearings are mainly replaced when a global loss of precision of the machine is observed leading to a complete refurbishment of the machine. At this stage, it is advisable to replace the bearings, even if they may appear to be in good condition; they may be worn to a point where the accuracy is no longer effective.

BEARING REPLACEMENT

Even if a machine is considered old after several years of service, it is not recommended to fit standard class bearings in place of the original precision ones. This practice would most likely result in uncontrolled movements of the spindle due to the higher runout of standard bearings. This can lead to poor accuracy of machined pieces and premature tool wear.

The best practice is to install a bearing of an equivalent precision class to the original equipment recommended by the builder.

Both inner and outer rings have to be replaced to achieve the same accuracy level as the original equipment.

INSPECTION

The replacement of the bearings on any precision equipment is not necessarily sufficient to restore the original accuracy. If the surrounding components (spindle, housing, nut, spacer) show considerable defects in size or form, the bearing will simply transmit the consecutive default to the workpiece. The total runout of the system is the combination of the runout of each component. A precision bearing will add no more runout than is specified by the bearing class, but it will not reduce any runout already present from the spindle and housing.



Careful inspection of the adjacent components followed by an appropriate refurbishment, if needed, must be made before remounting the bearings. Particular points to be checked are geometry (roundness, cylindricity, concentricity), surface conditions (nicks, burrs), sizes (bore, O.D. and width) and resultant fitting practice (see Engineering Section).

REMOUNTING

The guidelines described in the Engineering Section apply exactly in the same way for replacement purposes as for original equipment.

PRECISION BEARING TYPES

The most popular tapered roller bearing types made in precision classes are the single-row bearings, types TS and TSF, and the two-row bearing, type TDO.

These bearing types are supported by a range of special bearings that have been designed for machine tool applications, such as the variable preload Hydra-Rib™ bearing, the high-speed TSMA bearing and the compact TXR crossed roller bearing, which are available only in precision classes.

The size range of Timken precision bearings starts from less than 20.000 mm (0.7874 in.) bore and extends to over 2000.000 mm (78.7402 in.) outside diameter, depending upon bearing type.

The importance of this market segment is demonstrated by Timken's commitment to having a plant dedicated to producing precision-class tapered roller bearings. This simply means that the precision quality is built into the bearing during manufacturing and is not achieved by selecting from standard bearings. For increased reliability, Timken bearings are manufactured from high-quality alloy steels.

The application of precision tapered roller bearings is not just limited to machine tools. Wherever spindles turn and rotational accuracy is essential to the machine's performance, precision tapered roller bearings are encountered. Other typical applications are printing presses, optical grinders, profile cutters, indexing tables, precision drives and measuring gauges.

SINGLE-ROW BEARINGS



TS – single row⁽¹⁾

This is the basic and the most widely used type of tapered roller bearing. It consists of two main, separable parts: the inner ring (cone) assembly and the outer ring (cup). It is usually fitted as one of an opposing pair. During equipment assembly, single-row bearings can be “set” to the required clearance (endplay) or preload condition to optimize performance.



TSF – single-row, with flanged outer ring⁽¹⁾

This variation on the basic single-row bearing, type TSF has a flanged outer ring to facilitate axial location and accurately aligned seats in a through-bored housing.

TWO-ROW BEARINGS



TDO – double outer race

This has a one-piece (double) outer race and two single inner races and is usually supplied complete with an inner ring spacer as a pre-set assembly. This configuration gives a wide effective bearing spread and is frequently chosen for applications where overturning moments are a significant load component. TDO bearings can be used in fixed (locating) positions or allowed to float in the housing bore, for example, to compensate for shaft expansion.



TXR – crossed roller bearing⁽¹⁾

A crossed roller bearing is two sets of bearing races and rollers brought together at right angles – with alternate rollers facing opposite directions – within a section height

not much greater than that of a single bearing. The steep angle, tapered geometry of the bearing causes the load-carrying center

of each of the races to be projected along the axis, resulting in a total effective bearing spread many times greater than the width of the bearing itself. This type of bearing offers a high resistance to overturning moments.

The normal design of the bearing is type TXRDO, which has a double outer race and two inner races, with rollers spaced by polymer separators.

HIGH-SPEED BEARINGS

For many applications, notably in the machine tool industry, bearings are required to run at speeds in excess of those for which standard bearings are designed.



TSMA – single-row, with axial oil holes

The TSMA type is a single-row bearing with axial oil holes for lubrication of the critical roller-rib contact area to ensure adequate lubrication at high speeds. The concept works by capturing oil in a manifold (attached to the inner ring), which is then directed to the rib-roller contact area through holes drilled axially through the large rib.



TSHR – Hydra-Rib bearing with preload adjustment device⁽¹⁾

The Hydra-Rib bearing has a “floating” outer ring rib controlled by hydraulic or pneumatic pressure, which ensures that the required preload is maintained irrespective of the differential expansions or changes in loading taking place within the system.

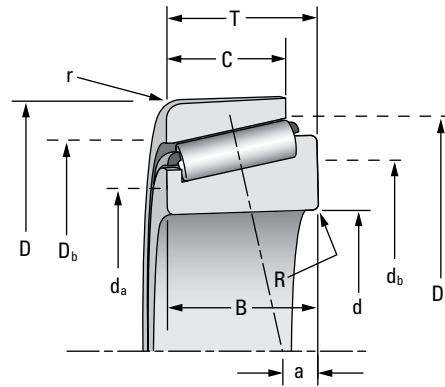
The list of part numbers in the TS and TSF design styles tables is not exhaustive. These represent most of the common selections for the precision machine tool industry. Many tapered roller bearings currently are manufactured to “standard” precision classes (Class 3 or 0/ C or B) but can be readily produced to higher precision levels. Bearing modifications such as conversion to a two row design, a high speed TSMA, or use of ceramic rolling elements to meet specific application demands can usually be accommodated. Please contact your Timken representative for more information.

⁽¹⁾ These bearing types are described in detail in the bearing data tables at the end of this publication.

TS STYLE
PRECISION LEVEL C⁽¹⁾

Dimensional Sizes – METRIC

- Features to enhance spindle operation:
 - Matched components.
 - Runout high points marked.
 - Bearing setting adjustment.
- Performance options:
 - High-speed version (TSMA).



d Bore	D O.D.	T Width	Load Ratings				B Cone Width	C Cup Width	a Eff. Center ⁽²⁾	Inner-Outer Part Number
			C ₀ Static	C ₁ Dynamic ⁽³⁾	C ₉₀ Dynamic ⁽⁴⁾	C _{a90} Dynamic ⁽⁴⁾				
mm in.	mm in.	mm in.	kN lbs.	kN lbs.	kN lbs.	kN lbs.	mm in.	mm in.	mm in.	
60.000 2.3622	100.000 3.9370	21.000 0.8268	101.0 22700	80.9 18200	21.0 4720	17.0 3820	20.000 0.7874	15.500 0.6102	1.3 0.05	JP6049-JP6010
65.000 2.5591	105.000 4.1339	24.000 0.9449	139.0 31200	100.0 22500	26.0 5850	20.2 4540	23.000 0.9055	18.500 0.7283	-0.3 -0.01	JLM710949C-JLM710910
70.000 2.7559	110.000 4.3307	21.000 0.8268	112.0 25200	84.8 19100	22.0 4950	17.4 3910	20.000 0.7874	15.500 0.6102	2.5 0.10	JP7049-JP7010
80.000 3.1496	125.000 4.9213	24.000 0.9449	141.0 31700	105.0 23600	27.2 6120	21.0 4720	22.500 0.8858	17.500 0.6890	2.3 0.09	JP8049-JP8010
85.000 3.3465	130.000 5.1181	30.000 1.1811	245.0 55100	149.0 33500	38.7 8700	29.4 6610	29.000 1.1417	24.000 0.9449	-0.3 -0.01	JM716649-JM716610
90.000 3.5433	135.000 5.3150	24.000 0.9449	155.0 34800	110.0 24700	28.4 6390	24.0 5400	22.500 0.8858	17.500 0.6890	5.6 0.22	JP9049-JP9010
95.000 3.7402	145.000 5.7087	24.000 0.9449	172.0 38700	116.0 26100	30.1 6770	24.4 5490	22.500 0.8858	17.500 0.6890	6.1 0.24	JP10044-JP10010
95.000 3.7402	150.000 5.9055	35.000 1.3780	317.0 71300	199.0 44700	51.5 11600	39.0 8770	34.000 1.3386	27.000 1.0630	-1.5 -0.06	JM719149-JM719113
100.000 3.9370	145.000 5.7087	24.000 0.9449	172.0 38700	116.0 26100	30.1 6770	24.4 5490	22.500 0.8858	17.500 0.6890	6.1 0.24	JP10049-JP10010
110.000 4.3307	165.000 6.4961	35.000 1.3780	357.0 80300	210.0 47200	54.5 12300	46.4 10400	35.000 1.3780	26.500 1.0433	3.0 0.12	JM822049-JM822010
115.000 4.5276	165.000 6.4961	28.000 1.1024	245.0 55100	148.0 33300	38.3 8610	30.1 6770	27.000 1.0630	21.000 0.8268	5.6 0.22	JLM722948-JLM722912
120.000 4.7244	170.000 6.6929	25.400 1.0000	231.0 51900	134.0 30100	34.8 7820	27.3 6140	25.400 1.0000	19.050 0.7500	7.9 0.31	JL724348-JL724314
125.000 4.9213	175.000 6.8898	25.400 1.0000	246.0 55300	139.0 31200	36.0 8090	29.4 6610	25.400 1.0000	18.288 0.7200	9.1 0.36	JL725346-JL725316
130.000 5.1181	185.000 7.2835	29.000 1.1417	283.0 63600	181.0 40700	47.0 10600	38.1 8570	27.000 1.0630	21.000 0.8268	8.9 0.35	JP13049-JP13010
140.000 5.5118	195.000 7.6772	29.000 1.1417	304.0 68300	188.0 42300	48.8 11000	42.0 9440	27.000 1.0630	21.000 0.8268	11.9 0.47	JP14049-JP14010
150.000 5.9055	205.000 8.0709	28.575 1.1250	339.0 76200	179.0 40200	46.5 10500	36.5 8210	28.575 1.1250	21.438 0.8440	11.4 0.45	JL730646-JL730612
160.000 6.2992	220.000 8.6614	32.000 1.2598	372.0 83600	224.0 50400	58.1 13100	48.4 10900	30.000 1.1811	23.000 0.9055	13.0 0.51	JP16049-JP16010
170.000 6.6929	230.000 9.0551	32.000 1.2598	398.0 89500	232.0 52200	60.1 13500	47.5 10700	30.000 1.1811	23.000 0.9055	13.0 0.51	JP17049-JP17010
180.000 7.0866	240.000 9.4488	32.000 1.2598	490.0 91900	234.0 52600	60.6 13600	50.3 11300	30.000 1.1811	23.000 0.9055	16.0 0.63	JP18049-JP18010
180.000 7.0866	250.000 9.8425	47.000 1.8504	786.0 177000	401.0 90200	104.0 23400	85.5 19200	45.000 1.7717	37.000 1.4567	8.9 0.35	JM736149-JM736110

(1) Tighter tolerances are possible on any of the part numbers shown for higher precision requirements.

(2) Negative value indicates effective center within the backface of the cone.

(3) The Timken Company calculation based on one million revolutions for L₁₀ life.

(4) The Timken Company life calculations based on 90 million revolutions for L₁₀ life. C₉₀ is radial load component force; C_{a90} is axial component.

(5) For synthetic high-speed grease in appropriate fill quantities with service interval and appropriate setting. Other methods may further improve speed by as much as 60 percent or more.

(6) For explanation of spindle system characteristics, please refer to pages 31-34 of the Engineering Section.

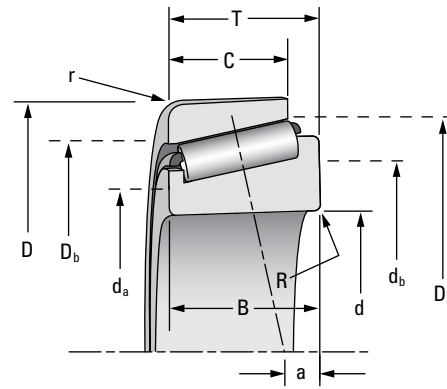


R Max. Shaft Fillet Rad. at Cone Backface	Mounting Dimensions			D _a	D _b	Stiffness ⁽⁶⁾				Speed Rating ⁽⁵⁾	Wt.
	d _a Shaft Backing Diameter	d _b	r Max Housing Fillet Rad. at Cup Backface			K _r (10 ⁶)	F _r	K _a (10 ⁶)	F _a		
mm in.	mm in.	mm in.	mm in.	mm in.	mm in.	N/mm lbs./in.	kN lbs.	N/mm lbs./in.	kN lbs.	RPM	kg lbs.
2.0 0.08	66.0 2.60	69.1 2.72	2.0 0.08	95.5 3.76	91.0 3.58	1.22 6.97	2.1 472	0.231 1.32	1.7 382	5100 5100	0.59 1.31
3.0 0.12	71.0 2.80	78.0 3.07	1.0 0.04	101.0 3.98	96.0 3.78	1.70 9.71	2.6 585	0.297 1.70	2.0 450	4800 4800	0.75 1.65
2.0 0.08	76.0 2.99	80.0 3.15	2.0 0.08	105.0 4.13	101.0 3.98	1.33 7.59	2.2 495	0.239 1.36	1.7 382	4500 4500	0.68 1.50
2.0 0.08	86.0 3.39	88.9 3.50	2.0 0.08	120.0 4.72	115.0 4.53	1.53 8.74	2.7 607	0.264 1.51	2.1 472	3900 3900	0.95 2.10
3.0 0.12	92.0 3.62	98.0 3.86	2.5 0.10	125.0 4.92	117.0 4.61	2.82 16.10	3.8 854	0.472 2.70	2.9 652	3700 3700	1.36 3.00
2.0 0.08	97.0 3.82	100.1 3.94	2.0 0.08	130.0 5.12	125.0 4.92	1.64 9.36	2.8 629	0.338 1.93	2.4 540	3600 3600	1.09 2.41
3.0 0.12	102.0 4.02	108.0 4.25	3.0 0.12	140.0 5.51	134.0 5.28	1.80 10.30	3.0 674	0.341 1.95	2.4 540	3300 3300	1.27 2.79
3.0 0.12	104.0 4.09	109.0 4.29	2.5 0.10	143.0 5.63	135.0 5.31	3.11 17.80	5.1 1150	0.513 2.93	3.9 877	3300 3300	2.17 4.78
3.0 0.12	106.0 4.17	112.0 4.41	3.0 0.12	140.0 5.51	134.0 5.28	1.80 10.30	3.0 674	0.341 1.95	2.4 540	3300 3300	1.13 2.49
3.0 0.12	119.0 4.69	125.0 4.92	2.5 0.10	159.0 6.26	149.0 5.87	3.39 19.40	5.4 1210	0.710 4.05	4.6 1030	2900 2900	2.45 5.39
3.3 0.13	121.0 4.76	127.0 5.00	3.0 0.12	158.0 6.22	151.0 5.94	2.53 14.40	3.8 854	0.450 2.57	3.0 674	2900 2900	1.75 3.86
3.3 0.13	127.0 5.00	132.1 5.20	3.3 0.13	163.0 6.42	156.0 6.14	2.47 14.10	3.5 787	0.440 2.51	2.7 607	2800 2800	1.62 3.56
3.3 0.13	133.0 5.24	137.9 5.43	3.3 0.13	168.0 6.61	161.0 6.34	2.60 14.90	3.6 809	0.499 2.85	2.9 652	2700 2700	1.69 3.72
3.0 0.12	137.0 5.39	143.0 5.63	3.0 0.12	179.0 7.05	172.0 6.77	2.45 14.00	4.7 1060	0.464 2.65	3.8 854	2600 2600	2.16 4.76
3.0 0.12	148.0 5.83	152.9 6.02	3.0 0.12	189.0 7.44	182.0 7.17	2.60 14.90	4.9 1100	0.556 3.17	4.2 944	2400 2400	2.29 5.06
3.3 0.13	158.0 6.22	164.1 6.46	3.3 0.13	198.0 7.8	190.0 7.48	3.30 18.80	4.6 1030	0.588 3.36	3.6 809	2200 2200	2.61 5.76
3.0 0.12	169.0 6.65	174.0 6.85	3.0 0.12	213.1 8.39	206.0 8.11	2.94 16.80	5.8 1300	0.589 3.36	4.8 1080	2100 2100	3.11 6.86
3.0 0.12	179.0 7.05	183.9 7.24	3.0 0.12	223.0 8.78	217.0 8.54	3.15 18.00	6.0 1350	0.568 3.24	4.7 1060	2000 2000	3.43 7.56
3.0 0.12	189.0 7.44	194.1 7.64	3.0 0.12	233.0 9.17	227.0 8.94	3.21 18.30	6.0 1350	0.638 3.64	5.0 1120	1900 1900	3.59 7.91
3.0 0.12	190.0 7.48	196.1 7.72	2.5 0.10	243.0 9.57	232.0 9.13	5.90 33.70	10.4 2340	1.150 6.57	8.5 1910	1800 1800	6.67 14.70

**TS STYLE
PRECISION LEVEL 3⁽¹⁾**

Dimensional Sizes – INCH

- Features to enhance spindle operation:
 - Matched components.
 - Runout high points marked.
 - Bearing setting adjustment.
- Performance options:
 - High-speed version (TSMA).



d Bore	D O.D.	T Width	Load Ratings				B Cone Width	C Cup Width	a Eff. Center ⁽²⁾	Inner-Outer Part Number
			C ₀ Static	C ₁ Dynamic ⁽³⁾	C ₉₀ Dynamic ⁽⁴⁾	C _{a90} Dynamic ⁽⁴⁾				
mm in.	mm in.	mm in.	kN lbs.	kN lbs.	kN lbs.	kN lbs.	mm in.	mm in.	mm in.	
63.500 2.5000	107.950 4.2500	25.400 1.0000	158.0 35500	102.0 22900	26.5 5950	20.8 4670	25.400 1.0000	19.050 0.7500	-0.8 -0.03	29585-29520
68.263 2.6875	110.000 4.3307	21.999 0.8661	126.0 28300	91.6 20600	23.8 5340	16.3 3670	21.996 0.8660	18.821 0.7410	-0.8 -0.03	399A-394A
73.025 2.8750	112.713 4.4375	25.400 1.0000	166.0 37300	102.0 23000	26.5 5960	22.2 4980	25.400 1.0000	19.050 0.7500	1.0 0.04	29685-29620
76.200 3.0000	121.442 4.7812	24.608 0.9688	137.0 30800	94.7 21300	24.5 5510	18.9 4260	23.012 0.9060	17.625 0.6875	1.5 0.06	34301-34478
85.725 3.3750	136.525 5.3750	30.163 1.1875	216.0 48500	143.0 32100	37.1 8330	28.2 6340	29.769 1.1720	22.225 0.8750	-0.8 -0.03	497-493
91.973 3.6210	142.875 5.6250	30.000 1.1811	240.0 54000	152.0 34100	39.3 8830	32.2 7230	30.000 1.1811	21.996 0.8660	1.8 0.07	LM718947-LM718910
101.600 4.0000	157.163 6.1875	36.513 1.4375	343.0 77100	207.0 46500	53.8 12100	43.6 9800	36.116 1.4219	26.187 1.0310	-0.5 -0.02	52400-52618
117.475 4.6250	180.975 7.1250	34.925 1.3750	271.0 60900	181.0 40700	47.2 10600	39.9 8980	31.750 1.2500	25.400 1.0000	5.3 0.21	68462-68712
146.050 5.7500	193.675 7.6250	28.575 1.1250	407.0 91500	182.0 40900	47.2 10600	29.8 6690	28.575 1.1250	23.012 0.9060	4.8 0.19	36690-36620
177.800 7.0000	227.013 8.9375	30.163 1.1875	470.0 105600	194.0 43500	50.3 11300	37.9 8510	30.163 1.1875	23.012 0.9060	12.7 0.50	36990-36920
190.500 7.5000	282.575 11.1250	50.800 2.0000	690.0 155100	398.0 89400	103.0 23200	73.4 16500	47.625 1.8750	36.500 1.4370	3.8 0.15	87750-87111
206.375 8.1250	282.575 11.1250	46.038 1.8125	881.0 198000	393.0 88300	102.0 22900	88.5 19900	46.038 1.8125	36.500 1.4370	16.0 0.63	67985-67920
215.900 8.5000	290.010 11.4177	31.750 1.2500	457.0 102700	222.0 49800	57.4 12900	37.9 8510	31.750 1.2500	22.225 0.8750	13.0 0.51	543085-543114

⁽¹⁾ Tighter tolerances are possible on any of the part numbers shown for higher precision requirements.

⁽²⁾ Negative value indicates effective center within the backface of the cone.

⁽³⁾ The Timken Company calculation based on one million revolutions for L₁₀ life.

⁽⁴⁾ The Timken Company life calculations based on 90 million revolutions for L₁₀ life. C₉₀ is radial load component force; C_{a90} is axial component.

⁽⁵⁾ For synthetic high-speed grease in appropriate fill quantities with service interval and appropriate setting. Other methods may further improve speed by as much as 60 percent or more.

⁽⁶⁾ For explanation of spindle system characteristics, please refer to pages 31-34 of the Engineering Section.

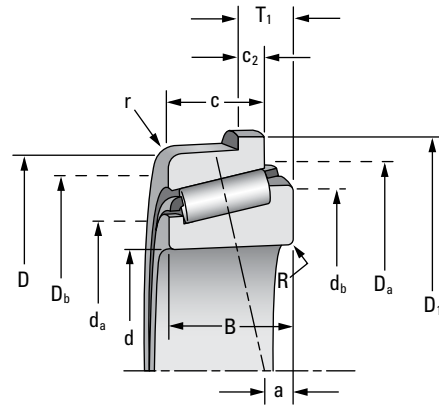


R Max. Shaft Fillet Rad. at Cone Backface	Mounting Dimensions					Stiffness ⁽⁶⁾				Speed Rating ⁽⁵⁾ RPM	Wt. kg lbs.
	d _a	d _b	r	D _a	D _b	K _r (10 ⁶)	F _r	K _a (10 ⁶)	F _a		
	Shaft Backing Diameter		Max Housing Fillet Rad. at Cup Backface	Housing Backing Diameter							
mm in.	mm in.	mm in.	mm in.	mm in.	mm in.	N/mm lbs./in.	kN lbs.	N/mm lbs./in.	kN lbs.		
3.6 0.14	71.1 2.80	77.0 3.03	3.3 0.13	103.1 4.06	96.0 3.78	2.15 12.30	2.65 595	0.385 2.20	2.07 466	4500 4500	0.91 2.01
2.3 0.09	73.9 2.91	78.0 3.07	1.3 0.05	103.9 4.09	101.1 3.98	1.53 8.73	2.38 534	0.208 1.19	1.63 367	4600 4600	0.75 1.65
3.6 0.14	80.0 3.15	86.1 3.39	3.3 0.13	109.0 4.29	101.1 3.98	2.19 12.50	2.65 596	0.440 2.51	2.21 497	4200 4200	0.88 1.95
3.6 0.14	83.1 3.27	88.9 3.50	2.0 0.08	116.1 4.57	110.0 4.33	1.62 9.25	2.45 551	0.278 1.59	1.89 425	4100 4100	0.95 2.09
3.6 0.14	93.0 3.66	99.1 3.90	3.3 0.13	130.0 5.12	121.9 4.80	2.31 13.20	3.71 834	0.387 2.21	2.82 633	3700 3700	1.52 3.34
3.6 0.14	100.1 3.94	105.9 4.17	3.3 0.13	137.9 5.43	129.0 5.08	2.52 14.40	3.93 883	0.489 2.79	3.21 722	3400 3400	1.63 3.60
3.6 0.14	111.0 4.37	117.1 4.61	3.3 0.13	151.9 5.98	142.0 5.59	3.31 18.90	5.36 1206	0.630 3.60	4.35 979	3100 3100	2.39 5.28
3.6 0.14	125.0 4.92	132.1 5.20	3.3 0.13	172.0 6.77	163.1 6.42	2.31 13.20	4.69 1055	0.485 2.77	3.99 897	2800 2800	2.75 6.06
1.5 0.06	152.9 6.02	154.9 6.10	1.5 0.06	188.0 7.40	182.1 7.17	4.55 26.00	4.72 1060	0.524 2.99	2.97 667	2300 2300	2.25 4.96
1.5 0.06	185.9 7.32	188.0 7.40	1.5 0.06	221.0 8.70	214.1 8.43	5.13 29.30	5.02 1128	0.842 4.81	3.78 850	1900 1900	2.88 6.35
3.6 0.14	202.9 7.99	209.0 8.23	3.3 0.13	267.0 10.51	261.1 10.28	4.52 25.80	10.31 2318	0.660 3.77	7.32 1646	1700 1700	9.48 20.91
3.6 0.14	218.9 8.62	224.0 8.82	3.3 0.13	275.1 10.83	260.1 10.24	6.92 39.50	10.18 2288	1.520 8.68	8.86 1992	1600 1600	8.29 18.28
3.6 0.14	226.1 8.90	231.9 9.13	3.3 0.13	276.1 10.87	272.0 10.71	3.92 22.40	5.74 1291	0.494 2.82	3.78 850	1600 1600	5.41 11.92

**TSF STYLE
PRECISION LEVEL C⁽¹⁾**

Dimensional Sizes – METRIC

- Flanged outer ring facilitates axial location.
- Features to enhance spindle operation:
 - Matched components.
 - Runout high point markings.
 - Bearing setting adjustment.



d Bore mm in.	D O.D. mm in.	T ₁ Offset mm in.	Load Ratings				D ₁ Flange Dia. mm in.	C ₂ Flange Width mm in.	B Cone Width mm in.	C Cup Width mm in.	a Eff. Center ⁽²⁾ mm in.	Inner-Outer Part Number
			C ₀ Static kN lbs.	C ₁ Dynamic ⁽³⁾ kN lbs.	C ₉₀ Dynamic ⁽⁴⁾ kN lbs.	C _{a90} Dynamic ⁽⁴⁾ kN lbs.						
60.000	100.000	8.500	101.0	80.9	21.0	17.0	105.0	3.0	20.000	15.500	1.3	JP6049-JP6010-B
2.3622	3.9370	0.3346	22700	18200	4720	3820	4.13	0.12	0.7874	0.6102	0.05	
70.000	110.000	8.500	112.0	84.8	22.0	17.4	116.0	3.0	20.000	15.500	2.5	JP7049-JP7010-B
2.7559	4.3307	0.3346	25200	19100	4950	3910	4.57	0.12	0.7874	0.6102	0.10	
80.000	125.000	10.500	141.0	105.0	27.2	21.0	132.0	4.0	22.500	17.500	2.3	JP8049-JP8010-B
3.1496	4.9213	0.4134	31700	23600	6120	4720	5.20	0.16	0.8858	0.6890	0.09	
90.000	135.000	10.500	155.0	110.0	28.4	24.0	142.0	4.0	22.500	17.500	5.6	JP9049-JP9010-B
3.5433	5.3150	0.4134	34800	24700	6390	5400	5.60	0.16	0.8858	0.6890	0.22	
95.000	145.000	10.500	172.0	116.0	30.1	24.4	152.0	4.0	22.500	17.500	6.1	JP10044-JP10010-B
3.7402	5.7087	0.4134	38700	26100	6770	5490	5.98	0.16	0.8858	0.6890	0.24	
100.000	145.000	10.500	172.0	116.0	30.1	24.4	152.0	4.0	22.500	17.500	6.1	JP10049-JP10010-B
3.9370	5.7087	0.4134	38700	26100	6770	5490	5.98	0.16	0.8858	0.6890	0.24	
130.000	185.000	13.000	283.0	181.0	47.0	38.1	192.0	5.0	27.000	21.000	8.9	JP13049-JP13010-B
5.1181	7.2835	0.5118	63600	40700	10600	8570	7.56	0.20	1.0630	0.8268	0.35	
140.000	195.000	13.000	304.0	188.0	48.8	42.0	202.0	5.0	27.000	21.000	11.9	JP14049-JP14010-B
5.5118	7.6772	0.5118	68300	42300	11000	9440	7.95	0.20	1.0630	0.8268	0.47	
150.000	205.000	12.000	339.0	179.0	46.5	36.5	210.0	4.86	28.575	21.438	11.4	JL730646-JL730612-B
5.9055	8.0709	0.4724	76200	40200	10500	8210	8.27	0.19	1.1250	0.8440	0.45	

⁽¹⁾ Tighter tolerances are possible on any of the part numbers shown for higher precision requirements.

⁽²⁾ Negative value indicates effective center within the backface of the cone.

⁽³⁾ The Timken Company calculation based on one million revolutions for L₁₀ life.

⁽⁴⁾ The Timken Company life calculations based on 90 million revolutions for L₁₀ life. C₉₀ is radial load component force; C_{a90} is axial component.

⁽⁵⁾ For synthetic high-speed grease in appropriate fill quantities with service interval and appropriate setting. Other methods may further improve speed by as much as 60 percent or more.

⁽⁶⁾ For explanation of spindle system characteristics, please refer to pages 31-34 of the Engineering Section.

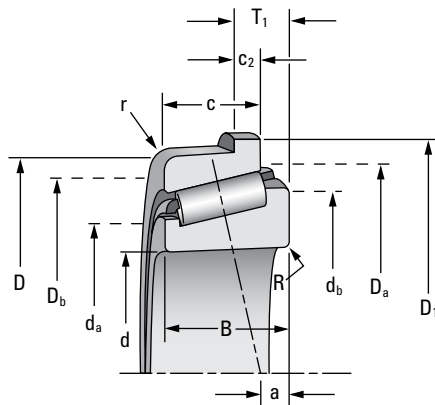


R Max Shaft Fillet Rad. at Cone Backface	Mounting Dimensions			D _a Housing Backing Diameter	D _b Housing Backing Diameter	Stiffness ⁽⁶⁾				Speed Rating ⁽⁵⁾ RPM	Wt. kg lbs.
	d _a Shaft Backing Diameter	d _b Shaft Backing Diameter	r Max Housing Fillet Rad. at Cup Backface			K _r (10 ⁶)	F _r	K _a (10 ⁶)	F _a		
mm in.	mm in.	mm in.	mm in.	mm in.	mm in.	N/mm lbs./in.	kN lbs.	N/mm lbs./in.	kN lbs.		
2.0 0.08	66.0 2.60	69.0 2.72	2.0 0.08	98.0 3.86	91.0 3.58	1.22 6.97	2.1 472	0.231 1.32	1.7 382	5100 5100	0.61 1.34
2.0 0.08	76.0 2.99	80.0 3.15	2.0 0.08	105.5 4.15	101.0 3.98	1.33 7.59	2.2 495	0.239 1.36	1.7 382	4500 4500	0.69 1.52
2.0 0.08	86.0 3.39	89.0 3.50	2.0 0.08	129.0 5.08	115.0 4.53	1.53 8.74	2.7 607	0.264 1.51	2.1 472	3900 3900	0.95 2.09
2.0 0.08	97.0 3.82	100.0 3.94	2.0 0.08	133.0 5.24	125.0 4.92	1.64 9.36	2.8 629	0.338 1.93	2.4 540	3600 3600	1.09 2.40
3.0 0.12	102.0 4.02	108.0 4.25	3.0 0.12	142.0 5.59	134.0 5.28	1.80 10.28	3.0 674	0.341 1.95	2.4 540	3300 3300	1.32 2.91
3.0 0.12	106.0 4.17	112.0 4.41	3.0 0.12	142.0 5.59	134.0 5.28	1.80 10.28	3.0 674	0.341 1.95	2.4 540	3300 3300	1.13 2.49
3.0 0.12	137.0 5.39	143.0 5.63	3.0 0.12	188.0 7.40	172.0 6.77	2.45 13.99	4.7 1057	0.464 2.65	3.8 854	2600 2600	2.20 4.85
3.0 0.12	148.0 5.83	153.0 6.02	3.0 0.12	198.0 7.80	182.0 7.17	2.60 14.85	4.9 1102	0.556 3.17	4.2 944	2400 2400	2.31 5.09
3.3 0.13	158.0 6.22	164.0 6.46	3.3 0.13	200.0 7.87	190.0 7.48	3.30 18.84	4.6 1034	0.588 3.36	3.6 809	2200 2200	2.69 5.93

**TSF STYLE
PRECISION LEVEL 3⁽¹⁾**

Dimensional Sizes – INCH

- Flanged outer ring facilitates axial location.
- Features to enhance spindle operation:
 - Matched components.
 - Runout high point markings.
 - Bearing setting adjustment.



d Bore	D O.D.	T ₁ Offset	Load Ratings				D ₁ Flange Dia.	C ₂ Flange Width	B Cone Width	C Cup Width	a Eff. Center ⁽²⁾	Inner-Outer Part Number
			C ₀ Static	C ₁ Dynamic ⁽³⁾	C ₉₀ Dynamic ⁽⁴⁾	C _{a90} Dynamic ⁽⁴⁾						
mm in.	mm in.	mm in.	kN lbs.	kN lbs.	kN lbs.	kN lbs.	mm in.	mm in.	mm in.	mm in.	mm in.	
46.038 1.8125	85.000 3.3465	9.525 0.3750	117.0 26200	86.4 19400	22.4 5040	13.3 2980	89.8 3.53	4.8 0.19	25.608 1.0082	20.638 0.8125	-6.4 -0.25	2984 - 2924-B
66.675 2.6250	112.712 4.4375	11.112 0.4375	191.0 43000	129.0 28900	33.3 7490	22.9 5160	117.4 4.62	4.8 0.19	30.048 1.1830	23.812 0.9375	-4.6 -0.18	3984 - 3920-B
69.850 2.7500	120.000 4.7244	11.095 0.4368	186.0 41900	133.0 29900	34.4 7740	22.7 5100	125.4 4.94	5.5 0.22	29.007 1.1420	24.237 0.9542	-4.1 -0.16	482 - 472-B
69.850 2.7500	127.000 5.0000	14.288 0.5625	262.0 58900	182.0 40900	47.1 10600	29.4 6600	133.2 5.25	6.4 0.25	36.170 1.4240	28.575 1.1250	-8.1 -0.32	566 - 563-B
73.025 2.8750	117.475 4.6250	11.112 0.4375	197.0 44300	128.0 28800	33.2 7470	24.8 5570	122.1 4.81	4.8 0.19	30.162 1.1875	23.812 0.9375	-2.8 -0.11	33287 - 33462-B
83.345 3.2813	125.412 4.9375	10.317 0.4062	178.0 39900	109.0 24400	28.1 6320	20.0 4500	130.1 5.12	4.8 0.19	25.400 1.0000	19.845 0.7813	0.5 0.02	27690 - 27620-B
88.900 3.5000	149.225 5.8750	12.700 0.5000	241.0 54300	151.0 33900	39.1 8790	33.0 7410	154.7 6.09	5.6 0.22	28.971 1.1406	24.608 0.9688	3.0 0.12	42350 - 42587-B
95.250 3.7500	168.275 6.6250	18.255 0.7187	386.0 86700	245.0 55100	63.5 14300	51.2 11500	175.3 6.90	7.1 0.28	41.275 1.6250	30.162 1.1875	-2.8 -0.11	683 - 672-B
101.600 4.0000	168.275 6.6250	18.255 0.7187	386.0 86700	245.0 55100	63.5 14300	51.2 11500	175.3 6.90	7.1 0.28	41.275 1.6250	30.162 1.1875	-2.8 -0.11	687 - 672-B
114.300 4.5000	190.500 7.5000	20.638 0.8125	543.0 122000	337.0 75700	87.3 19600	62.2 14000	198.3 7.81	7.9 0.31	49.212 1.9375	34.925 1.3750	-6.6 -0.26	71450 - 71750-B

(1) Tighter tolerances are possible on any of the part numbers shown for higher precision requirements.
 (2) Negative value indicates effective center within the backface of the cone.
 (3) The Timken Company calculation based on one million revolutions for L₁₀ life.
 (4) The Timken Company life calculations based on 90 million revolutions for L₁₀ life. C₉₀ is radial load component force; C_{a90} is axial component.
 (5) For synthetic high-speed grease in appropriate fill quantities with service interval and appropriate setting. Other methods may further improve speed by as much as 60 percent or more.
 (6) For explanation of spindle system characteristics, please refer to pages 31-34 of the Engineering Section.



R Max. Shaft Fillet Rad. at Cone Backface	Mounting Dimensions			D _a	D _b	Stiffness ⁽⁶⁾				Speed Rating ⁽⁵⁾	Wt.
	d _a Shaft Backing Diameter	d _b	r Max Housing Fillet Rad. at Cup Backface			Housing Backing Diameter	K _r (10 ⁶)	F _r	K _a (10 ⁶)		
mm in.	mm in.	mm in.	mm in.	mm in.	mm in.	N/mm lbs./in.	kN lbs.	N/mm lbs./in.	kN lbs.	RPM	kg lbs.
3.5 0.14	52.0 2.05	58.0 2.28	1.3 0.05	82.0 3.23	76.0 2.99	1.68 9.60	2.2 504	0.170 0.97	1.3 298	6200 6200	0.65 1.43
3.5 0.14	74.0 2.91	80.0 3.15	3.3 0.13	108.0 4.25	99.0 3.90	2.33 13.30	3.3 749	0.318 1.82	2.3 516	4600 4600	1.18 2.61
3.5 0.14	77.0 3.03	83.0 3.27	0.8 0.03	115.0 4.53	108.0 4.25	2.08 11.90	3.4 774	0.261 1.49	2.3 510	4300 4300	1.36 2.99
3.5 0.14	78.0 3.07	85.0 3.35	3.3 0.13	121.0 4.76	112.0 4.41	2.71 15.50	4.7 1060	0.303 1.73	2.9 660	4100 4100	1.97 4.34
3.5 0.14	80.0 3.15	87.0 3.43	3.3 0.13	114.0 4.49	104.0 4.09	2.38 13.60	3.3 747	0.383 2.19	2.5 557	4300 4300	1.25 2.75
3.5 0.14	90.0 3.54	96.0 3.78	1.5 0.06	123.0 4.84	115.0 4.53	2.27 12.90	2.8 632	0.332 1.90	2.0 450	3800 3800	1.08 2.37
3.0 0.12	98.0 3.86	104.0 4.09	3.3 0.13	152.0 5.98	134.0 5.28	2.52 14.40	3.9 879	0.518 2.96	3.3 741	3300 3300	2.13 4.70
3.5 0.14	106.0 4.17	113.0 4.45	3.3 0.13	160.0 6.30	149.0 5.87	3.39 19.30	6.4 1430	0.635 3.62	5.1 1150	3000 3000	3.79 8.36
3.5 0.14	112.0 4.41	118.0 4.65	3.3 0.13	160.0 6.30	149.0 5.87	3.39 19.30	6.4 1430	0.635 3.62	5.1 1150	3000 3000	3.47 7.66
3.5 0.14	125.0 4.92	132.0 5.20	3.3 0.13	181.0 7.13	171.0 6.73	4.28 24.50	8.7 1960	0.627 3.58	6.2 1400	2700 2700	5.31 11.70

TXR STYLE

**METRIC PRECISION LEVEL S,P
INCH PRECISION LEVEL 3,0**

Timken® Crossed Roller Bearing

- Compact design offers lowest possible center of gravity in precision rotational applications.
- Stability of bearing greatly enhanced by effective spread and high stiffness of double roller set.
- Ideal choice for table bearing for vertical machining operations.
- Provides low starting torque.
- Simplified construction facilitates installation and adjustments.
- Additional sizes and tolerances available upon special request.



Precision Level S

Config.	D O.D.	d Bore	T Width	R Radius	Load Ratings ⁽⁴⁾		K ⁽²⁾	Preload ^(5,3)	Part Number ⁽⁶⁾
	mm in.	mm in.	mm in.	mm in.	Radial ⁽¹⁾ kN lbs.	Axial kN lbs.			
2	400.000	300.000	37.000	1.5	63.0	80.1	0.45	0.025 to 0.040	JXR637050
	15.7480	11.8110	1.4567	0.06	14200	18000			
2	425.000	310.000	45.000	2.5	82.2	102.0	0.46	0.025 to 0.040	JXR652050
	16.7323	12.2047	1.7717	0.10	18500	22900			
2	495.000	370.000	50.000	3.0	93.6	119.0	0.45	0.040 to 0.050	JXR699050
	19.4882	14.5669	1.9685	0.12	21000	26800			

Precision Level P

2	400.000	300.000	37.000	1.5	63.0	80.1	0.45	0.025 to 0.040	JXR637050
	15.7480	11.8110	1.4567	0.06	14200	18000			
2	425.000	310.000	45.000	2.5	82.2	102.0	0.46	0.025 to 0.040	JXR652050
	16.7323	12.2047	1.7717	0.10	18500	22900			
2	495.000	370.000	50.000	3.0	93.6	119.0	0.45	0.040 to 0.050	JXR699050
	19.4882	14.5669	1.9685	0.12	21000	26800			

⁽¹⁾ Two-row radial load rating shown.

⁽²⁾ K-factor is a ratio of radial load rating to axial load rating – see Engineering Section for usage.

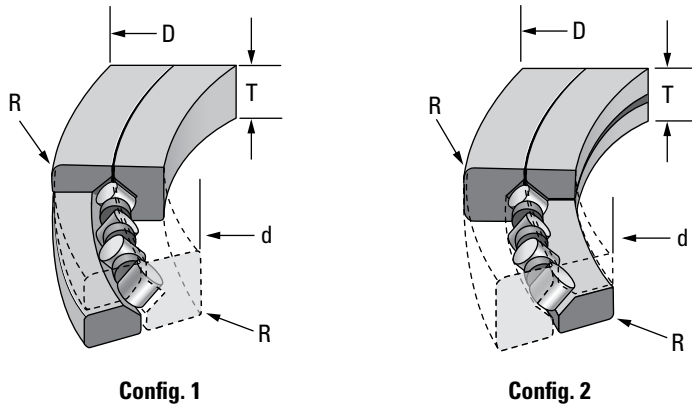
⁽³⁾ Preload set by adjustments to top inner ring clamping spacer plate.

⁽⁴⁾ Load calculations based on 500 RPM for 3000 hours.

⁽⁵⁾ Values listed apply to lower speed applications. Other preload values are available on request. Contact your Timken representative.

⁽⁶⁾ Not all types and sizes are listed in this catalog. Contact your Timken representative for further information.

NOTE: Application of these preload values assumes suggested fitting practice in Engineering Section is used.



Precision Level 3

Config.	D O.D.		d Bore		T Width		R Radius		Load Ratings ⁽⁴⁾		K ⁽²⁾	Preload ^(5,3)	Part Number ⁽⁶⁾
	mm	in.	mm	in.	mm	in.	mm	in.	Radial ⁽¹⁾	Axial			
2	279.400	203.200	31.750	1.5	51.2	61.4	0.48	0.025 to 0.040	XR496051				
	11.0000	8.0000	1.2500	0.06	11500	13800		0.001 to 0.0015					
2	457.200	330.200	63.500	3.3	100.0	123.0	0.47	0.040 to 0.050	XR678052				
	18.0000	13.0000	2.5000	0.13	22500	27600		0.0015 to 0.002					
2	609.600	457.200	63.500	3.3	141.0	178.0	0.45	0.040 to 0.050	XR766051				
	24.0000	18.0000	2.5000	0.13	31600	40100		0.0015 to 0.002					
2	760.000	580.000	80.000	6.4	215.0	234.0	0.46	0.075 to 0.100	XR820060				
	29.9213	22.8346	3.1500	0.25	48400	52500		0.003 to 0.004					
2	914.400	685.800	79.375	3.3	270.0	343.0	0.45	0.075 to 0.100	XR855053				
	36.0000	27.0000	3.1250	0.13	60700	77200		0.003 to 0.004					
2	1117.600	901.700	82.550	3.3	300.0	395.0	0.44	0.100 to 0.150	XR882055				
	44.0000	35.5000	3.2500	0.13	67400	88900		0.004 to 0.006					
2	1327.150	1028.700	114.300	3.3	405.0	534.0	0.44	0.125 to 0.180	XR889058				
	52.2500	40.5000	4.5000	0.13	91000	120000		0.005 to 0.007					
2	1828.800	1549.400	101.600	3.3	516.0	698.0	0.43	0.150 to 0.200	XR897051				
	72.0000	61.0000	4.0000	0.13	116000	157000		0.006 to 0.008					

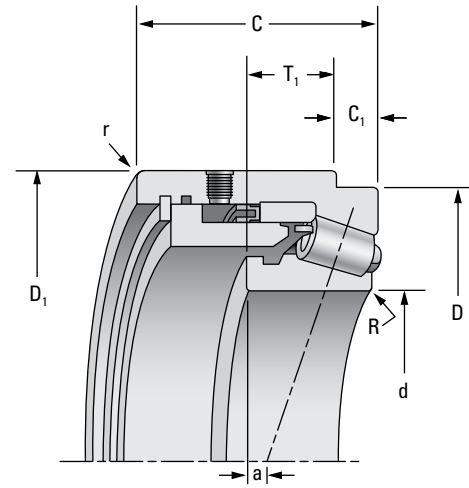
Precision Level 0

2	279.400	203.200	31.750	1.5	51.2	61.4	0.48	0.025 to 0.040	XR496051
	11.0000	8.0000	1.2500	0.06	11500	13800		0.001 to 0.0015	
2	457.200	330.200	63.500	3.3	100.0	123.0	0.47	0.040 to 0.050	XR678052
	18.0000	13.0000	2.5000	0.13	22500	27600		0.0015 to 0.002	
2	609.600	457.200	63.500	3.3	141.0	178.0	0.45	0.040 to 0.050	XR766051
	24.0000	18.0000	2.5000	0.13	31600	40100		0.0015 to 0.002	

**TSHR STYLE
HYDRA-RIB™ AND SPRING-RIB™**

Timken® Hydra-Rib Bearing

- Precision metric bearing available in any precision class.
- Floating outer ring rib maintains preload using fluid pressure.
- Unique design allows for thermal expansion of spindle while maintaining desired preload.
- Ideal choice for floating position bearing set.
- Only minor modifications needed on existing spindles to install.
- Speed ratings for Hydra-Rib and Spring-Rib bearings are significantly higher than standard ribbed-cone designs. Consult the Engineering Section for greater detail, or contact your Timken representative.



d Bore	D ₁ Flange Dia.	D Seat Dia.	T ₁ Width	C ₉₀ Load Ratings ⁽²⁾	C Cup Width	C ₁ Seat Width	a Eff. Center ⁽¹⁾
mm in.	mm in.	mm in.	mm in.	kN lbs.	mm in.	mm in.	mm in.
50.000 1.9685	103.175 4.0620	104.000 4.0945	31.000 1.2205	20.6 4630	66.000 2.5984	15.000 0.5906	-13.0 -0.51
50.000 1.9685	103.175 4.0620	104.000 4.0945	31.000 1.2205	20.6 4630	66.000 2.5984	15.000 0.5906	-13.0 -0.51
50.000 1.9685	103.500 4.0748	104.000 4.0945	31.000 1.2205	20.6 4630	66.000 2.5984	15.000 0.5906	-13.0 -0.51
50.000 1.9685	103.175 4.0620	104.000 4.0945	31.000 1.2205	20.6 4630	66.000 2.5984	15.000 0.5906	-13.0 -0.51
75.000 2.9528	130.000 5.1181	122.000 4.8031	22.000 0.8661	23.1 5190	65.000 2.5591	10.000 0.3937	-10.2 -0.40
75.000 2.9528	130.000 5.1181	122.000 4.8031	22.000 0.8661	23.1 5190	65.000 2.5591	10.000 0.3937	-10.2 -0.40
85.000 3.3465	148.000 5.8268	140.000 5.5118	23.500 0.9252	30.1 6760	66.000 2.5984	10.000 0.3937	-9.1 -0.36
85.000 3.3465	148.000 5.8268	140.000 5.5118	23.500 0.9252	30.1 6760	66.000 2.5984	10.000 0.3937	-9.1 -0.36
95.000 3.7402	158.000 6.2205	145.000 5.7087	21.000 0.8268	29.5 6640	70.000 2.7559	10.000 0.3937	4.3 0.17
95.000 3.7402	158.000 6.2205	145.000 5.7087	21.000 0.8268	29.5 6640	70.000 2.7559	10.000 0.3937	4.3 0.17
100.000 3.9370	178.000 7.0079	170.000 6.6929	27.000 1.0630	34.1 7660	70.000 2.7559	12.000 0.4724	10.4 0.41
110.000 4.3307	178.000 7.0079	170.000 6.6929	27.000 1.0630	34.1 7660	70.000 2.7559	12.000 0.4724	10.4 0.41
115.000 4.5276	190.000 7.4803	180.000 7.0866	26.000 1.0236	42.0 9440	70.000 2.7559	12.000 0.4724	-7.1 -0.28
120.000 4.7244	190.000 7.4803	180.000 7.0866	26.000 1.0236	42.0 9440	70.000 2.7559	12.000 0.4724	-7.1 -0.28
125.000 4.9213	200.000 7.8740	190.000 7.4803	29.000 1.1417	49.9 11200	72.000 2.8346	12.000 0.4724	-7.6 -0.30

⁽¹⁾ Negative value indicates effective center within the width of the inner ring.
⁽²⁾ The Timken Company life calculations based on 90 million revolutions for L₁₀ life.

Timken® Spring-Rib Bearing *(not included in chart below)*

- Bearing preload maintained using spring pressure.
- Available in JP5000, JP8500, JP11000 and JP17000 series.
- Ideal choice for applications with relatively constant load and speed.
- Choices of light, medium or heavy preload settings (medium is standard).
- Call for available sizes.



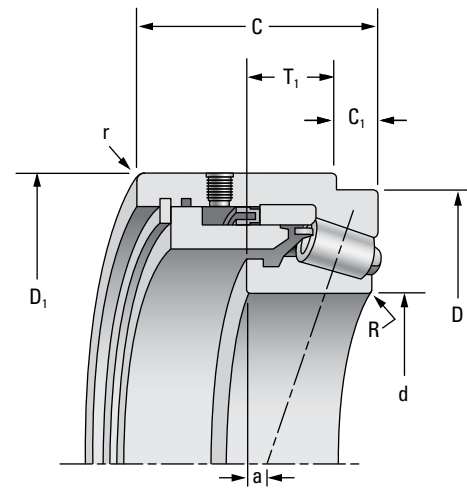
Hydra-Rib Part Number	Mounting Dimensions			Stiffness			
	R Shaft Radius	Shaft Shoulder Dia.	r Housing Radius	K _r (10 ⁶)	F _r	K _a (10 ⁶)	F _a
	mm in.	mm in.	mm in.	N/mm lbs./in.	kN lbs.	N/mm lbs./in.	kN lbs.
JP5049PH-JP5017HR	3.0	61.0	1.0	1.18	2.06	0.126	1.25
	0.12	2.40	0.04	6.77	463	0.721	282
JP5049PH-JP5020HR	3.0	61.0	1.0	1.18	2.06	0.126	1.25
	0.12	2.40	0.04	6.77	463	0.721	282
JP5049P-JP5019HR	3.0	61.0	1.0	1.18	2.06	0.126	1.25
	0.12	2.40	0.04	6.77	463	0.721	282
JP5049P-JP5020HR	3.0	61.0	1.0	1.18	2.06	0.126	1.25
	0.12	2.40	0.04	6.77	463	0.721	282
JP7548P-JP7520HR	3.0	85.0	2.0	1.43	2.31	0.177	1.52
	0.12	3.35	0.08	8.14	519	1.01	341
JP7549P-JP7519HR	3.0	85.0	2.0	1.43	2.31	0.177	1.52
	0.12	3.35	0.08	8.14	519	1.01	341
JP8548-JP8518HR	3.0	96.0	2.0	1.77	3.01	0.212	1.93
	0.12	3.78	0.08	10.1	676	1.21	435
JP8549P-JP8519HR	3.0	96.0	2.0	1.77	3.01	0.212	1.93
	0.12	3.78	0.08	10.1	676	1.21	435
JP10048-JP10019HR	3.0	107.0	1.5	1.76	2.95	0.222	1.95
	0.12	4.21	0.06	10.0	664	1.27	439
JP10048-JP10019HRA	3.0	107.0	1.5	1.76	2.95	0.222	1.95
	0.12	4.21	0.06	10.0	664	1.27	439
JP11035-JP11019HR	3.0	114.0	1.0	2.05	3.41	0.224	2.10
	0.12	4.49	0.04	11.7	766	1.28	471
JP11048-JP11019HR	3.0	122.0	1.0	2.05	3.41	0.224	2.10
	0.12	4.80	0.04	11.7	766	1.28	471
JP12043P-JP12019HR	3.0	128.0	1.0	2.41	4.20	0.310	2.80
	0.12	5.04	0.04	13.8	944	1.77	630
JP12049P-JP12019HR	3.0	132.0	1.0	2.41	4.20	0.310	2.80
	0.12	5.20	0.04	13.8	944	1.77	630
JP13043P-JP13016HR	3.0	138.0	1.0	2.78	4.99	0.200	2.50
	0.12	5.43	0.04	15.9	1120	1.14	561

Continued on next page.

TSHR STYLE – continued
HYDRA-RIB AND SPRING-RIB

Timken Hydra-Rib Bearing

- Precision metric bearing available in any precision class.
- Floating outer ring rib maintains preload using fluid pressure.
- Unique design allows for thermal expansion of spindle while maintaining desired preload.
- Ideal choice for floating position bearing set.
- Only minor modifications needed on existing spindles to install.
- Speed ratings for Hydra-Rib and Spring-Rib bearings are significantly higher than standard ribbed-cone designs. Consult the Engineering Section for greater detail, or contact your Timken representative.



d Bore	D ₁ Flange Dia.	D Seat Dia.	T ₁ Width	C ₉₀ Load Ratings ⁽²⁾	C Cup Width	C ₁ Seat Width	a Eff. Center ⁽¹⁾
mm in.	mm in.	mm in.	mm in.	kN lbs.	mm in.	mm in.	mm in.
130.000	200.000	190.000	29.000	49.9	72.000	12.000	-7.6
5.1181	7.8740	7.4803	1.1417	11200	2.8346	0.4724	-0.30
135.000	213.000	205.000	27.000	50.6	72.000	13.000	-15.8
5.3150	8.3858	8.0709	1.0630	11400	2.8346	0.5118	-0.62
140.000	213.000	205.000	27.000	50.6	72.000	13.000	-3.8
5.5118	8.3858	8.0709	1.0630	11400	2.8346	0.5118	-0.15
155.000	235.000	227.000	30.000	60.9	76.000	15.000	-5.1
6.1024	9.2520	8.9370	1.1811	13700	2.9921	0.5906	-0.20
160.000	235.000	227.000	30.000	60.9	79.000	15.000	-5.1
6.2992	9.2520	8.9370	1.1811	13700	3.1102	0.5906	-0.20
170.000	248.000	240.000	30.000	62.9	79.000	15.000	-4.8
6.6929	9.7638	9.4488	1.1811	14100	3.1102	0.5906	-0.19
180.000	268.000	260.000	30.000	63.6	84.000	15.000	-1.8
7.0866	10.5512	10.2362	1.1811	14300	3.3071	0.5906	-0.07
200.000	290.000	282.000	32.000	74.6	83.000	17.000	-0.8
7.8740	11.4173	11.1024	1.2598	16800	3.2677	0.6693	-0.03
220.000	316.000	308.000	32.000	80.8	83.000	17.000	-5.3
8.6614	12.4409	12.1260	1.2598	18200	3.2677	0.6693	-0.21
270.000	385.000	375.000	40.000	114.0	105.000	20.000	0.0
10.6299	15.1575	14.7638	1.5748	25700	4.1339	0.7874	0.00
285.750	385.000	375.000	40.000	114.0	105.000	20.000	0.0
11.2500	15.1575	14.7638	1.5748	25700	4.1339	0.7874	0.00

⁽¹⁾ Negative value indicates effective center within the width of the inner ring.
⁽²⁾ The Timken Company life calculations based on 90 million revolutions for L₁₀ life.

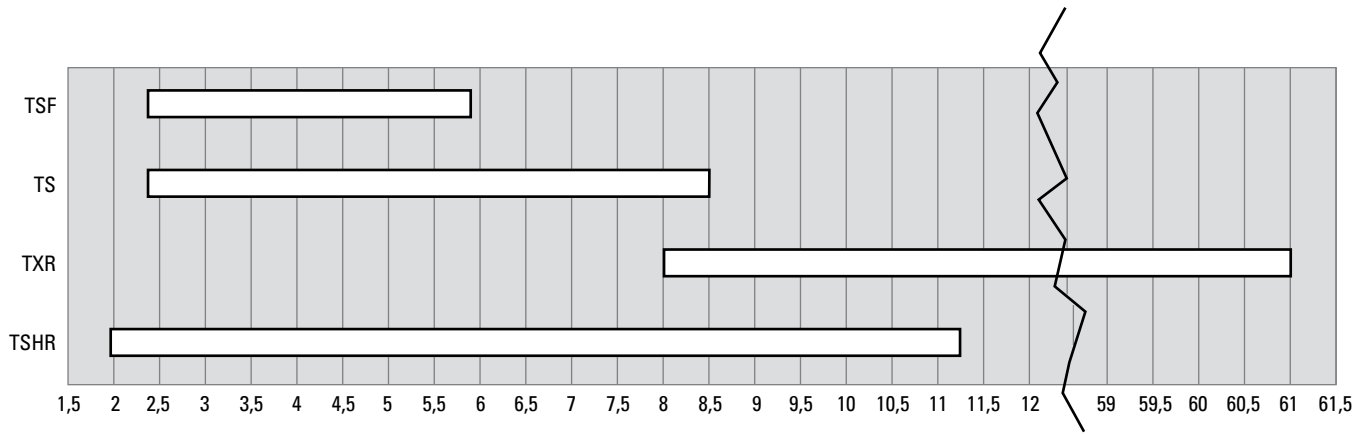
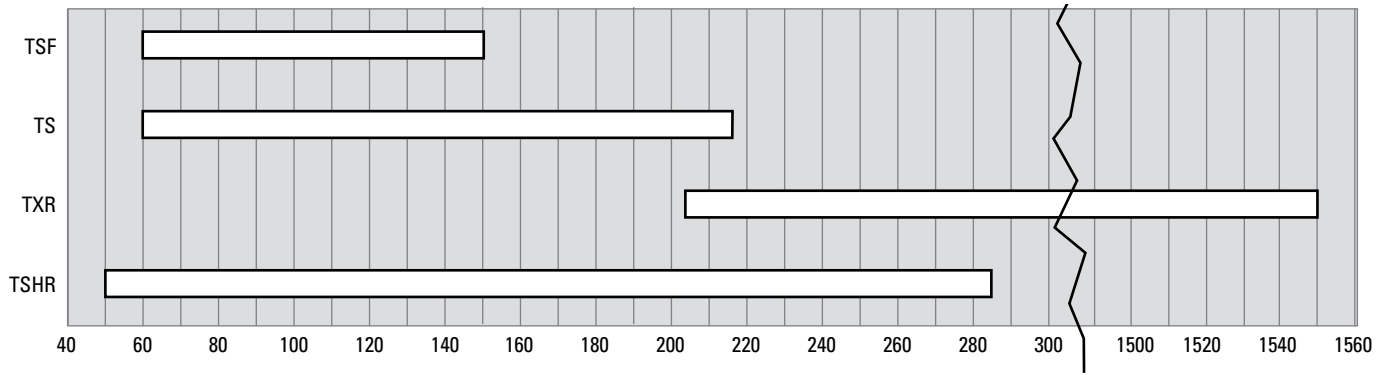
Timken Spring-Rib Bearing *(not included in chart below)*

- Bearing preload maintained using spring pressure.
- Available in JP5000, JP8500, JP11000 and JP17000 series.
- Ideal choice for applications with relatively constant load and speed.
- Choices of light, medium or heavy preload settings (medium is standard).
- Call for available sizes.

Hydra-Rib Part Number	Mounting Dimensions			Stiffness			
	R Shaft Radius	Shaft Shoulder Dia.	r Housing Radius	K _r (10 ⁶)	F _r	K _a (10 ⁶)	F _a
	mm in.	mm in.	mm in.	N/mm lbs./in.	kN lbs.	N/mm lbs./in.	kN lbs.
JP13049P-JP13016HR	3.0	138.0	1.0	2.78	4.99	0.200	2.50
	0.12	5.43	0.04	15.9	1120	1.14	561
JP14043P-JP14019HR	3.0	148.0	1.0	2.75	5.06	0.406	3.62
	0.12	5.83	0.04	15.7	1140	2.32	813
JP14049P-JP14019HR	3.0	152.0	1.0	2.75	5.06	0.406	3.62
	0.12	5.98	0.04	15.7	1140	2.32	813
JP16043P-JP16019HR	3.0	169.0	1.0	3.16	6.09	0.441	4.24
	0.12	6.65	0.04	18.0	1370	2.52	953
JP16049P-JP16019HR	3.0	172.0	1.0	3.16	6.09	0.441	4.24
	0.12	6.77	0.04	18.0	1370	2.52	953
JP17049P-JP17019HR	3.0	182.0	1.0	3.36	6.29	0.432	4.19
	0.12	7.17	0.04	19.2	1410	2.47	943
JP18049P-JP18019HR	3.0	193.0	1.0	3.44	6.36	0.495	4.49
	0.12	7.60	0.04	19.6	1430	2.83	1010
JP20049P-JP20019HR	3.0	213.0	1.0	3.47	7.46	0.471	5.12
	0.12	8.39	0.04	19.8	1680	2.69	1150
JP22049E-JP22019HR	3.0	233.0	1.0	3.93	8.08	0.644	6.09
	0.12	9.17	0.04	22.4	1820	3.68	1370
JL555235-JL55512HR	4.0	293.0	4.0	6.19	11.40	0.666	6.98
	0.16	11.54	0.16	35.4	2570	3.81	1570
JL555239-JL55512HR	4.0	293.0	4.0	6.19	11.40	0.666	6.98
	0.16	11.54	0.16	35.4	2570	3.81	1570



TAPERED ROLLER BEARING BORE DIAMETERS FOUND IN THIS CATALOG



C

BALL BEARINGS

C

C BALL BEARINGS

<i>Introduction</i>	134
<i>Optimized Grades of Precision</i>	134
<i>Bearing Types</i>	134
<i>Applications</i>	137
<i>Spindle Bearings</i>	142
<i>Ball Screw Support Bearings</i>	200
<i>Ex-Cell-O Spindle Bearings</i>	214

BALL BEARINGS



C



Super Precision Ball Bearings

	<i>Page</i>
SPINDLE BEARINGS	
Ultra-Light 2(3)MM9300WI	142
Ultra-Light 2(3)MMV9300HX	150
Extra-Light 2(3)MM9100WI	158
Extra-Light 2(3)MMV9100HX	166
Extra-Light 2(3)MMV99100WN	174
Ultra-Light MM9100K	182
Light 2(3)MM200WI	184
Light MM200K	192
Medium 2(3)MM300WI	194
Medium MM300K	198

	<i>Page</i>
BALL SCREW SUPPORT BEARINGS	
Ball Screw Support Series	200
BSBU D	206
BSBU Q	207
BSPB D	208
BSPB Q	209
MMF Series	210
MMN Series	212
Ex-Cell-O Spindle Bearings	214





C

Super Precision Ball Bearings Angular Contact

Contact Angle:

- 2 = 15°
- 3 = 25°

No number denotes 0° (deep-groove)
Other number denotes non-standard

Construction:

- K** deep-groove; high shoulder on both rings
- WI** angular contact; low shoulder on outer ring
- WO** angular contact; low shoulder on inner ring
- WN** angular contact; low shoulder on both rings
- HX** angular contact; low shoulder on both rings

Precision Class:

- MM/MMV** super high precision between ABEC 7 (ISO P4) and ABEC 9 (ISO P2)
- MMX** ultra-precision • ABEC 9 (ISO P2)

Cage: No cage callout implies Timken® PRC

- PRB** molded nylon cage
- PRC** molded reinforced nylon cage
- CR** phenolic (composition) – Timken standard
- MBR** machined bronze

VV

high-speed seals

2

MM

C

91

04

WI

CR

DUL

A3188

Ball Material:

No material callout implies steel
C ceramic

Series:

- 9300** ultra-light
- 9100** extra-light
- 99100** extra-light
- 200** light
- 300** medium

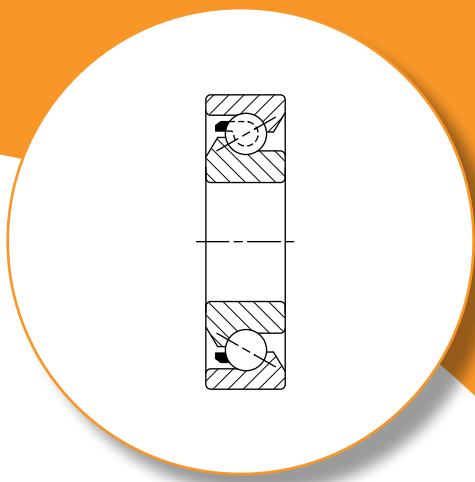
Bore Size:

- 00** 10 mm
 - 01** 12 mm
 - 02** 15 mm
 - 03** 17 mm
 - 04** 20 mm
- (04 and up, multiply these last two numbers by 5 to get bore in millimeters)

Preload: Universal Flush Ground

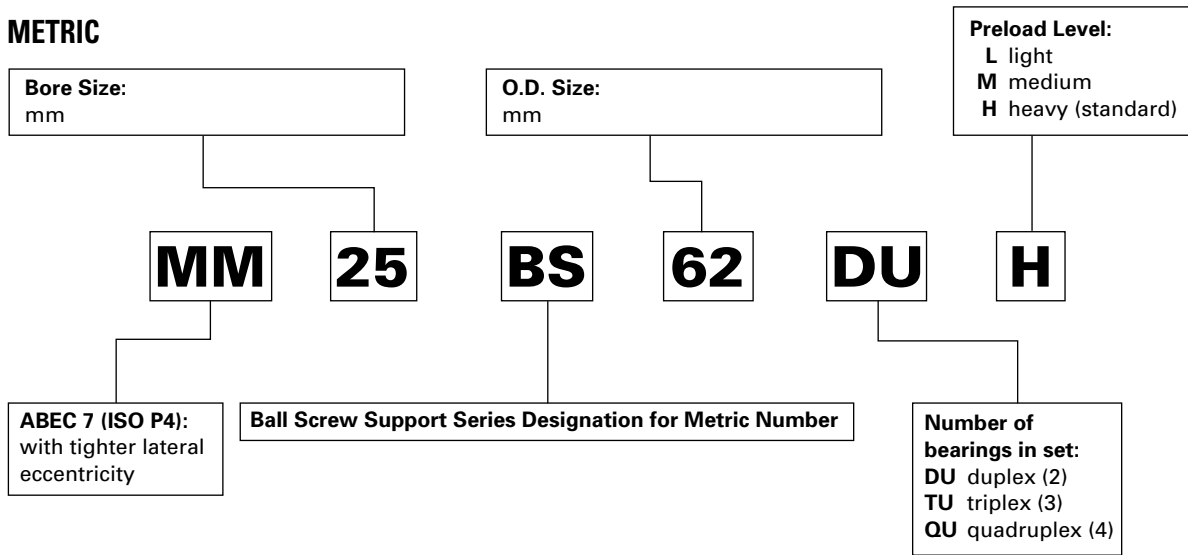
- SU** single bearing
- DU** duplex pairs of bearings
- TU** triplex set of bearings
- QU** quadruplex set of bearings
- X** extra-light
- L** light
- M** medium
- H** heavy

An example of a specification number for other than standard.

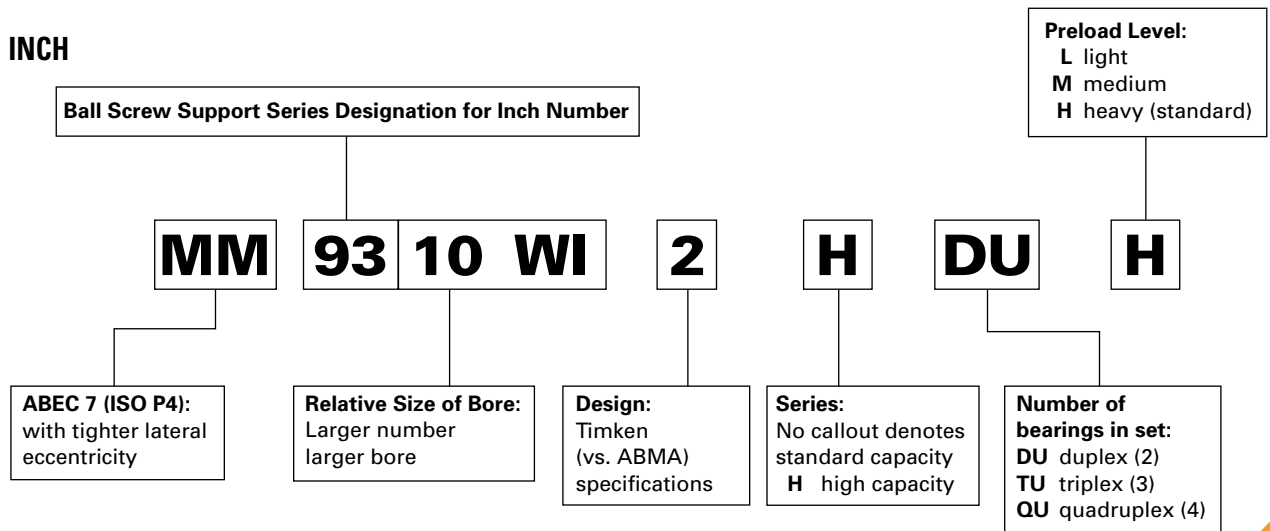


Super Precision Ball Bearings Ball Screw Support – Single Row

METRIC

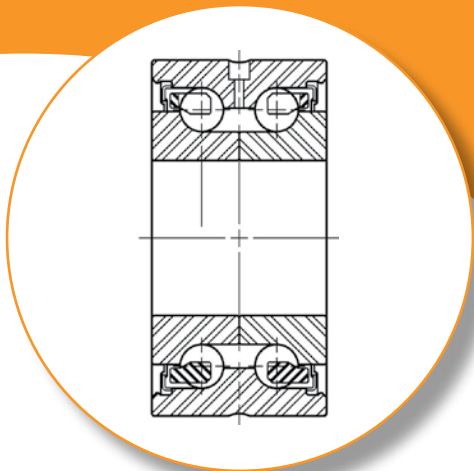


INCH



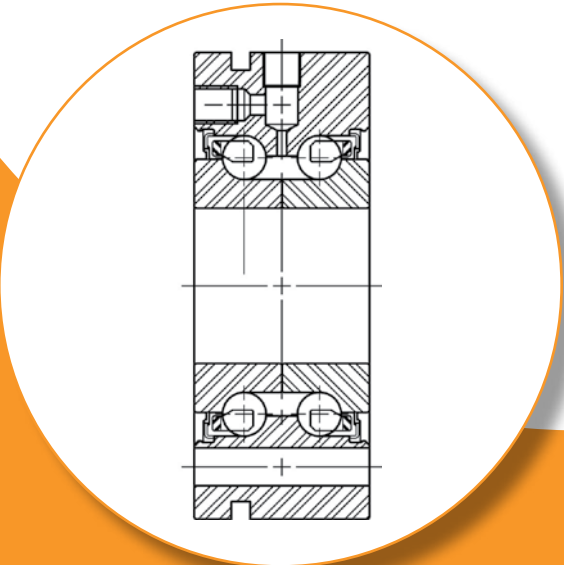
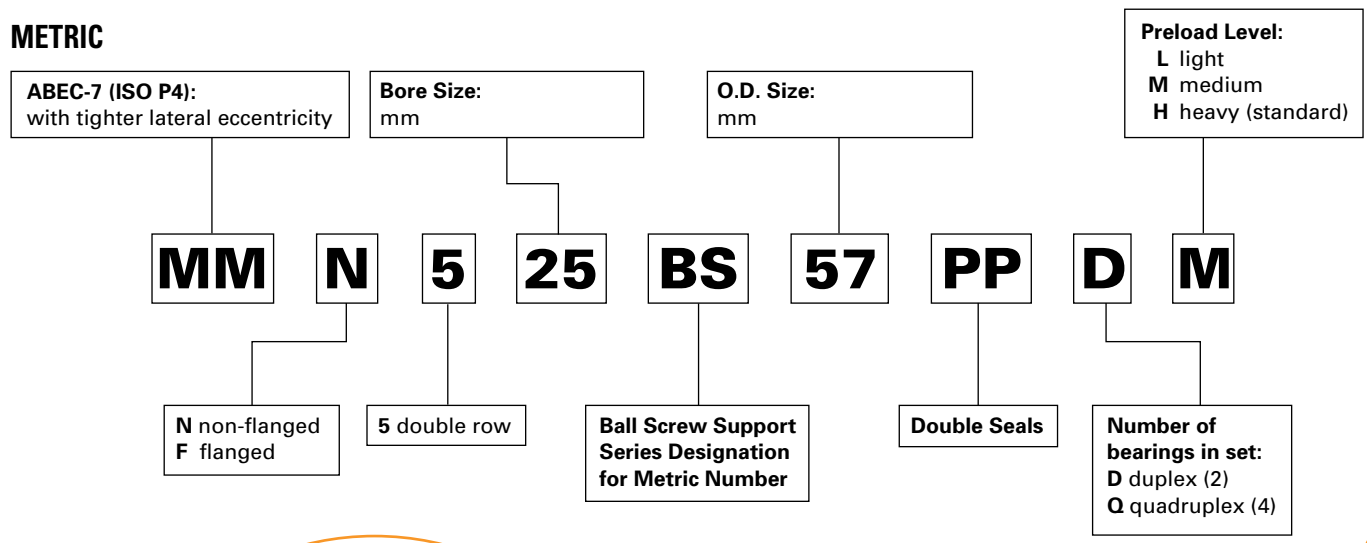
C

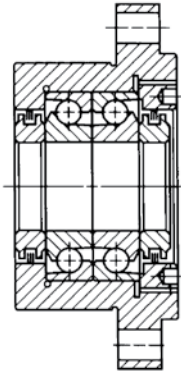




Super Precision Ball Bearings Ball Screw Support – Double Row

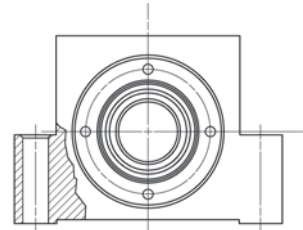
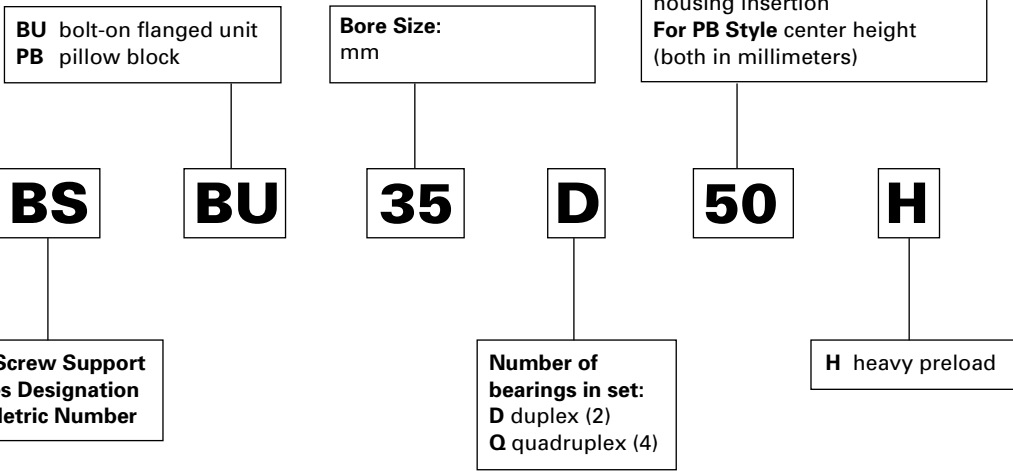
METRIC





Super Precision Ball Bearings Ball Screw Cartridge Units

METRIC



INTRODUCTION

MEANINGS OF PREFIXES AND SUFFIXES

In the Timken numbering system, the basic number, which denotes the size and series, is always retained. When special variations are made, as in the case of precision bearings, prefixes and suffixes are added, which have definite meanings as follows:

Prefixes

- MM** • Super Precision • ABEC 7/ABEC 9 (ISO P4/P2)
- 2MM/2MMV** • Super Precision between ABEC 7 and ABEC 9 (ISO P4/P2) • Low contact angle - 15 degree
- 3MM/3MMV** • Super Precision between ABEC 7 and ABEC 9 (ISO P4/P2) • High contact angle - 25 degree
- MMX** • Ultra-precision • ABEC 9 • (ISO P2)

Suffixes

- K** • Deep-groove high shoulder on both inner and outer ring
- WI** • Angular contact low shoulder on outer ring
- WO** • Angular contact low shoulder on inner ring
- WN** • Angular contact low shoulder on both inner and outer ring
- HX** • Angular contact low shoulder on both inner and outer ring
- CR** • Composition cage (non-metallic)
- MBR** • Machined bronze cage
- SR** • Machined steel cage
- PRB** • Molded nylon cage
- PRC** • Molded nylon cage (reinforced)
- PRF, PRG** • Special high-performance material
- SUL** • Universally ground single bearing • Light preload
- SUM** • Universally ground single bearing • Medium preload
- SUH** • Universally ground single bearing • Heavy preload
- DUL** • Universally ground duplex bearings • Light preload
- DUM** • Universally ground duplex bearings • Medium preload
- DUH** • Universally ground duplex bearings • Heavy preload
- TUL** • Universally ground triplex bearings • Light preload
- TUM** • Universally ground triplex bearings • Medium preload
- TUH** • Universally ground triplex bearings • Heavy preload
- QUL** • Universally ground quadruplex bearings • Light preload
- QUM** • Universally ground quadruplex bearings • Medium preload
- QUH** • Universally ground quadruplex bearings • Heavy preload

PERFORMANCE

The most widely recognized definition of quality is contained within the ABEC/ISO classes; however some factors affecting performance of a bearing are not completely defined within these standards. This allows for a significant range of variability in product performance among bearing manufacturers. To provide premium performance, all Timken ball bearing MM, MMV and MMX precision grades comply with strict controls over these non-specified parameters – all of which can have a direct impact on the service life and performance of a bearing.

OPTIMIZED GRADES OF PRECISION

MM, MMV – SUPER PRECISION, SUPER HIGH PRECISION (ABEC 7/9, ISO P4/P2)

Super precision bearings manufactured to the MM(V) tolerance class operate with running accuracy and performance levels meeting ABEC 9 (ISO P2) and remaining features at ABEC 7 (ISO P4) levels. Bore and O.D. surfaces are coded in micron units for the convenience of the discriminating machine tool builder striving for optimum fitting of crucial spindle components.

MMX – ULTRA-PRECISION (ABEC 9, ISO P2)

Super precision bearings with closer tolerances and running accuracies than ABEC 7 (ISO P4) bearings are made to ABEC 9 (ISO P2) tolerances. Bearings produced to these tolerances are generally used on ultra-high-speed grinding spindles designed for tight dimensional tolerances and superfine surface finishes. Contact your Timken representative for availability of product range.

BEARING TYPES

ANGULAR-CONTACT BEARINGS

2MM-WI types with 15 degree initial contact angle are designed to meet the needs of machine builders for precision bearings that will operate at as low a temperature as possible for a wide range of speeds and operating loads. In order for machines to produce more accurate work at a higher production rate, the bearings must provide a high degree of rigidity in both axial and radial directions while operating at minimum temperatures. For example, precision machining or cutting tools impose heavier loads on bearings than those encountered in precision grinding. In the former, speeds are slower and loads heavier than the latter, where speeds are high and loads light. The 2MM-WI Type gives the machine builder the flexibility required to meet such variations in applications.

3MM-WI, manufactured with 25 degree initial contact angle, are for use on applications where the loading on the initial bearings is predominately axial and a high degree of axial rigidity is required. Typical applications for these are large vertical rotary surface grinders, horizontal and vertical disc grinders, and thrust bearing applications for heavy-duty lathes where the bearings must directly carry extremely high tail stock or chucking pressure.

2MM-WO with 15 degree initial contact angle are designed for extremely high-speed applications where centrifugal force of the balls is the principal load on the bearing. Unlike the MM-WI type, which has a low shoulder outer ring, the 2MM-WO type has full shoulders on both sides of the outer ring and a low shoulder on one side of the inner ring. This design permits assembly with a maximum complement of balls and a one-piece cage that pilots against the precision-ground lands of the outer ring. This bearing series is generally supplied with a separable inner ring and ball-retaining cage along with special race geometry allowing extremely high-speed operation.

2MMV and 3MMV-HX are dimensionally interchangeable with equivalent 9100, 99100, 9300 and ISO Series 10 and 19 bearings. These designs enable spindle heads to remove more material in less time while maintaining superior machining tolerances. This is achieved through a proven combination of unique ball complements with precision engineering of raceway geometries.

2MMV and 3MMV-HX VV possess all of the high-speed advantages of the HX but add pre-lubrication and true-high-speed seals. These bearing seals help protect the lubricant from outside contaminants while ensuring internal lubricant retention.

2MMV and 3MMV 99100WN are available with 15 degree or 25 degree initial contact angle and have been developed to operate under the demanding requirements of high-speed machine tools. They incorporate design features that permit operation at higher speeds than standard angular contact ball bearings. The bore, outside diameter and width are the same as the MM9100 Series.

BALL SCREW SUPPORT BEARINGS

To meet the demands of the servo-controlled machinery field, the Timken® ball screw support bearings (BSSB) are specially designed with steep contact angles and offer high levels of stiffness for ball screw application requirements. Timken's most recent product offering in this area is a series of double-row, sealed, flanged (or cartridge) units that use an integral double-row outer ring to help simplify installation procedures. Timken offers the following ball screw support bearing products:

- Inch Series BSSB (MM9300).
- Metric Series BSSB (MMBS).
- Flanged cylindrical cartridge housed units (BSBU).
- Pillow block housed units (BSPB).
- Integral double-row units (MMN, MMF).



Fig. 99.
2MM-WI and
3MM-WI Types



Fig. 100.
2MMV-HXVV and
3MMV-HXVV Types



Fig. 101.
2MMV99100WN and
3MMV99100WN Types



Fig. 102.
MM9300WI DUH (Inch)
MM-BS-DUH (Metric)



MICRON BORE AND O.D. CODING FOR BALL BEARINGS

To better match machine tool bearings to spindles, Timken offers micron coding for its super precision angular contact ball bearing line. (Micron coding is standard on all products except ball screw support bearings and Ex-Cell-O bearings.)

Micron coding is based on average bore and O.D. diameters. This type of coding indicates the deviation from the nominal size in microns.

Multiple bearing set coding will reflect maximum O.D. and minimum bore diameters found within the set.

The coding is marked on the inner and outer rings and on the box label.



Bore(dm) - 4 μm O.D.(Dm) - 3 μm

Micron coding	Micron		Inch	
	Over	Incl.	Over	Incl.
1	0	-1	0.000000	-0.000039
2	-1	-2	-0.000039	-0.000079
3	-2	-3	-0.000079	-0.000118
4	-3	-4	-0.000118	-0.000157
5	-4	-5	-0.000157	-0.000197
6	-5	-6	-0.000197	-0.000236
7	-6	-7	-0.000236	-0.000276
8	-7	-8	-0.000276	-0.000315
9	-8	-9	-0.000315	-0.000354
10	-9	-10	-0.000354	-0.000394
11	-10	-11	-0.000394	-0.000433
12	-11	-12	-0.000433	-0.000472
13	-12	-13	-0.000472	-0.000512

Table 22. Deviation from nominal.

BALL SCREW SUPPORT BEARING MOUNTING ARRANGEMENTS

An alignment mark is placed on the outer rings of bearing sets as shown. This mark is in the form of a "V" when bearings are in the "O" arrangement (triplex and quadruplex sets only).

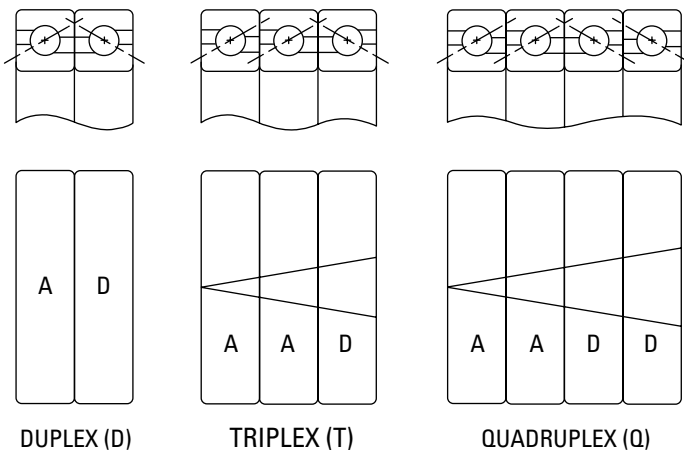


Fig. 103. Ball screw support bearing mounting configurations.

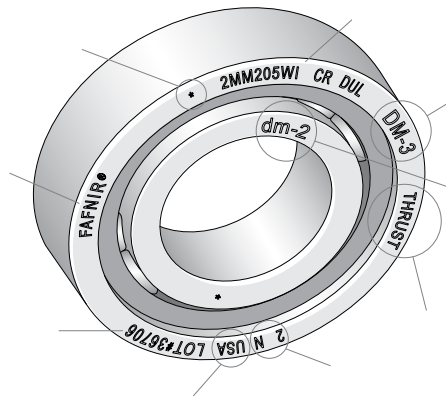


Fig. 104. Super precision markings.

APPLICATIONS

Workhead and tool spindles are often the most important components of machine tools. Consequently, to reach the requirements for spindle speed, work accuracy and finish, selection of the proper size and type of ball bearings to support these spindles is critical.

Of all the rolling bearing types, super precision ball bearings have proved to be the best value for the wide variety of machine tool bearing applications, which cover broad ranges of operating loads, speeds and lubrication conditions. Duplexed, preloaded, angular contact bearings with one-piece composition cages have excellent capacity and provide maximum spindle rigidity. These bearings are widely used to help machines achieve faster speeds, greater accuracy, smoother finishes and higher production rates.

Many considerations are involved in the choice of bearings for precision applications. Among those that influence the performance of machine tool spindles are the internal geometry of the bearings, the mounting arrangement, the shaft and housing mounting fits, the balance and alignment of the rotating parts, and last, but equally important, the lubrication. While many of these factors are significant in slow-speed applications, all of them must be considered for high-speed spindles.

To minimize deflection under load, shafts for machine tool spindles are designed to have a minimum unsupported length and maximum cross section. For the same reason, spindle housings are designed heavy enough to carry the work load. Their cross sections are made as uniform as possible to reduce stress concentration during uneven deflection of the frame due to thermal changes. In addition, heavy, well-proportioned housings can function as sinks to conduct heat away from ball bearings.

SELECTIVE ASSEMBLY

Under certain conditions, it may be desirable to control fits more accurately without the added expense of using tighter tolerance bearings and assembly parts. This can be accomplished by selective assembly of the bearings, shafts and housings after they are sized and sorted according to bores and outside diameters. Timken provides bore and O.D. micron coding as standard practice for super precision angular contact radial ball bearings. This improved fit-up at assembly helps to maximize spindle precision.

APPLICATION EXAMPLES

Detailed assembly drawings on the following pages are representative of successful applications of Timken® super precision ball bearings; high-cycle wheel heads; high-speed internal grinding spindles; super precision workheads; and high-speed router spindles. Contact your Timken representative regarding any of your application problems.

SPECIAL REQUIREMENTS

High-speed, grease-lubricated spindles and heavy-precision workheads requiring unusual rigidity and running accuracy are a few of the many special problems involving super precision bearings. These and many other applications generally require design features that can be reviewed by your Timken representative.

High-Speed Internal-Grinding Spindle

Designed for internal precision grinding, this spindle incorporates 2MM9106WI-CR super precision ball bearings, preloaded by a coiled helical spring cartridge. Thrust load exerted by the springs ensures close contact of the balls with the bearing raceways under all operating conditions. The sealed construction provides highly effective protection against intrusion of coolant and foreign matter. Grease is packed and sealed in each bearing prior to assembly. Operating speed of this spindle is 25000 RPM.

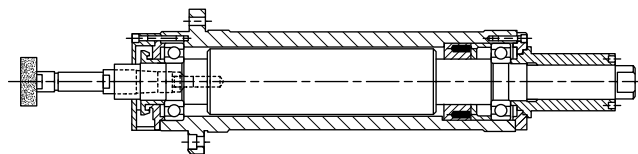


Fig. 105. High-speed internal-grinding spindle.



Ultra-Precision Surface-Grinding Spindle

2MMX9122WI-DUM super precision bearings, produced to ABEC 9 (ISO P2) tolerances, are employed in this horizontal surface-grinding spindle for maximum rigidity and accuracy. A back-to-back pair of 2MM312WI-CR-DUL super precision bearings is used at the floating location. This spindle grinds surfaces that are accurate within 0.0006 mm (0.000025 in.), flat and parallel, square within 0.0003 mm (0.000010 in.), to a surface finish of 5 rms, or better. The spindle, driven by a 30 hp motor, operates at 900 RPM. Bearings are packed with grease prior to assembly.

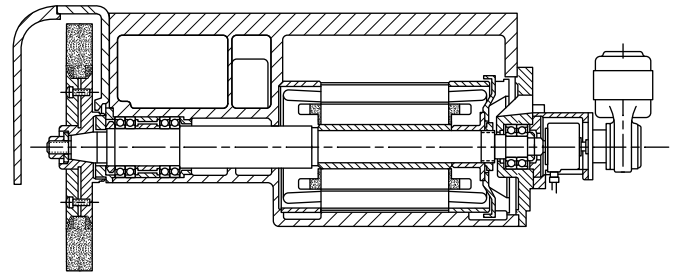


Fig. 106. Ultra-precision surface-grinding spindle.

Precision Surface-Grinding Spindle

This motorized surface-grinding spindle, operating at 3600 RPM, uses 2MM9107WI-DUM duplex super precision preloaded bearings at both locations, mounted back-to-back, with one pair floating. Labyrinth slinger-type sealing prevents entry of contaminants and seals in the grease lubrication.

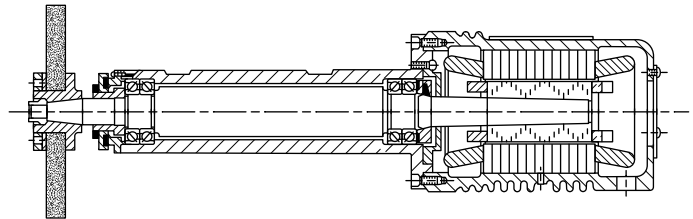


Fig. 107. Precision surface-grinding spindle.

Heavy-Duty Precision-Boring Spindle

Super precision, duplexed, preloaded bearings mounted back-to-back are used at each location in this boring spindle to help ensure smooth performance and a high degree of radial and axial rigidity. Operating speeds vary between 200 and 3000 RPM. Equal-length spacers between the bearings at the workend increase spindle rigidity. When the bearings are properly positioned on the shaft and the respective rings securely clamped, the preload is reproduced and no subsequent adjustment is required. Just prior to assembly, each bearing is packed with grease.

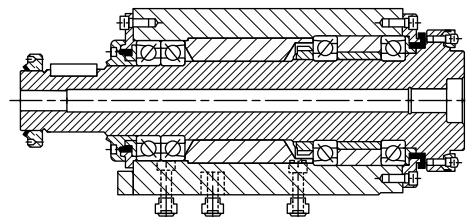


Fig. 108. Heavy-duty precision-boring spindle.

Six-Spindle Automatic-Screw Machine

This bearing arrangement meets the demand for a high-speed, heavy-duty, multiple-spindle screw machine to operate with constant accuracy at maximum production. Because of the hollow shaft construction and the short distance between bearings, extra-light series duplex pairs are used at each location. This affords a high degree of radial rigidity and adds stiffness to the shaft. By mounting a duplex pair of flanged (3MMF) bearings back-to-back with a duplexed pair of 2MM super precision bearings, accuracy and rigidity of the spindle are ensured and permit a straight housing bore. The rear pair of back-to-back bearings is allowed to float in the housing. Lubrication is by pressure-feed oil circulation.

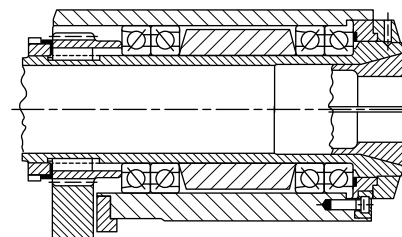


Fig. 109. Six-spindle automatic-screw machine.

C



High-Speed Precision-Boring Head

This high-speed boring head operates at 2500 to 3000 RPM, employing angular contact super precision bearings. The front bearings are of different sizes. The outer ring of the larger bearing abuts and is clamped against the housing shoulder. The inboard bearing is permitted to move axially in its housing under spring load. At the rear location, two spring-loaded bearings of the same size are allowed to float in the housing as temperature differentials occur in the operation spindle. With this head, interference shaft fits may be permitted without affecting bearing preload. Excessive heat generation is prevented, resulting in lower operating temperatures. Bearings are grease lubricated.

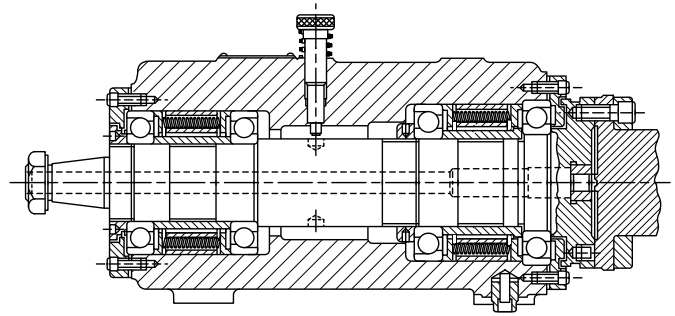


Fig. 110. High-speed precision-boring head.

Ultra-Precision Grinding Workhead

This workhead must maintain straightness and roundness accuracy within 0.00025 mm (0.000010 in.). To meet such rigid requirements for extremely close dimensional control, ultra-precision ball bearings and a shaft of extra stiffness are used. The bearings for such applications are manufactured to tolerances closer than those for ABEC 9 (ISO P2) specifications. Equally important is the high degree of workmanship and accuracy in which the shaft, housing and component parts of the workhead must be made. The upper section shows a four-bearing arrangement for heavy work. The lower half shows a two-bearing mounting for lighter work. Bearings are packed with grease prior to mounting.

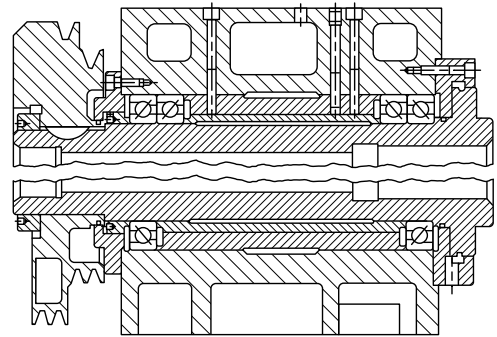


Fig. 111. Ultra-precision grinding workhead.

Precision Toolroom Surface Grinder Spindle

Timken duplexed, super precision, preloaded bearings used in this spindle provide a high degree of rigidity in both radial directions that is necessary to meet modern surface grinding requirements. This design provides more efficient performance at a lower operating temperature. The housing is bored straight through to assure true alignment; the housing shoulders are eliminated. The precision-ground outer sleeve is dove-tailed to the housing to provide the means for stabilizing the spindle axially at the workend bearing location. The rear pair of bearings floats to compensate for thermal changes. Bearings are grease lubricated prior to assembly.

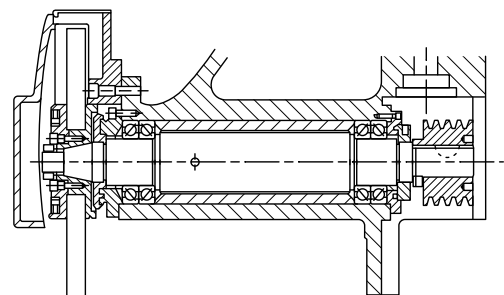


Fig. 112. Precision toolroom surface grinder spindle.

C



Single-Bar Machine

This spindle is supported by two pairs of 2MM9124WI-DUM super precision bearings mounted back-to-back in tandem pairs. Operating speeds vary from 78 to 1500 RPM. A pair of 2MM9122WI-DUM bearings mounted in tandem carries a 11340 kg (25000 lb.) thrust load during the unchucking operation. The bearings are grease packed prior to assembly.

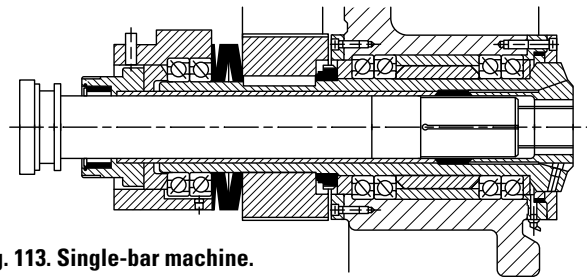


Fig. 113. Single-bar machine.

100000 RPM High-Cycle Wheelhead

Super precision 2MMX9101WO-CR bearings produced to ABEC 9 (ISO P2) tolerances are spring-loaded in this wheelhead, which operates at 100000 RPM. Oil-mist lubrication is employed and the motor is water cooled.

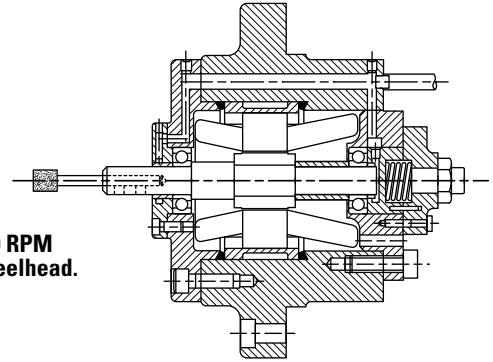


Fig. 114. 100000 RPM high-cycle wheelhead.

Precision Jig-Boring Spindle

This jig-boring spindle delivers extreme accuracy over a wide range of speeds. It is supported with 2MM210WI-DUM grease-lubricated super precision bearings. With this spindle, holes located to an accuracy of 0.0025 mm (0.0001 in.) are bore-ground straight and to size limits of better than 0.005 mm (0.0002 in.).

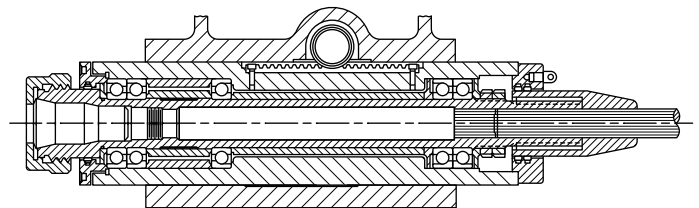


Fig. 115. Precision jig-boring spindle.

Super Precision Lathe Headstock

This lathe spindle produces work held to a roundness of 0.0009 mm (0.000035 in.). Maximum operating speed is 4800 RPM. A tandem pair of 3MM9114WI-DUL bearings is opposed by a spring-loaded 3MM9113WI bearing, resulting in excellent spindle rigidity. Bearings are prelubricated with grease.

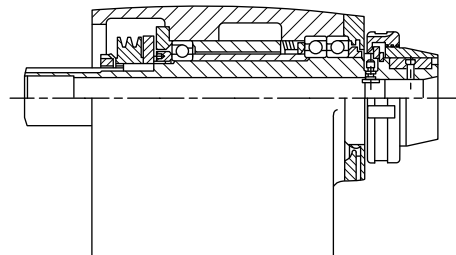


Fig. 116. Super precision lathe headstock.

High-Speed Motorized Router

A specially matched duplex pair of Timken 2MM210WI-DU-FS223 super precision ball bearings, mounted back-to-back at the workend, affords the necessary bearing rigidity to permit routing through aluminum plate 25.400 mm (1.0000 in.) thick with a single pass. The upper bearing is spring-loaded and permitted to float. The router is driven by a 30 hp motor at speeds up to 15000 RPM and uses oil-mist lubrication.

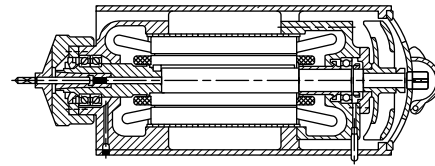


Fig. 117. High-speed motorized router.

Precision Vertical Milling Spindle

This spindle operates at 12 different speeds ranging from 260 to 6200 RPM under a wide variety of conditions. At the workend, two duplex pairs of Timken 2MM212WI-DUL preloaded bearings are mounted in tandem in a back-to-back arrangement, separated by spacers of equal length. This affords extremely high radial and axial rigidity. At the center, a pair of 2MM210WI-DUL bearings mounted back-to-back permits axial float of the spindle to compensate for thermal changes.

The driving pulley shaft is rigidly supported by a widely spaced duplex pair of 2MM212WI-DUL preloaded bearings. All bearings are grease packed.

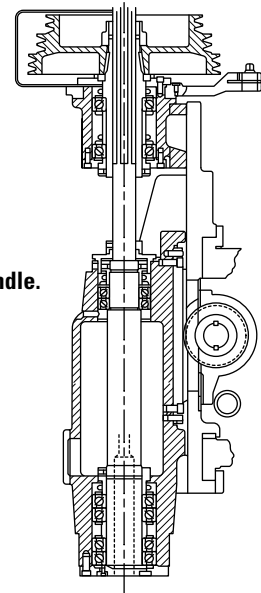
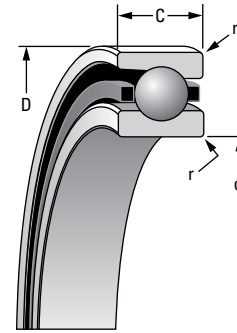


Fig. 118. Precision vertical milling spindle.



ULTRA-LIGHT ISO 19 SERIES
2(3)MM9300WI



SUPER PRECISION MM

Running accuracy and performance meet ABEC 9 (ISO P2) levels.

Other features conform to ABEC 7 (ISO P4) requirements.

Bearing Number 2MM or 3MM	d Bore	D O.D.	C Width ⁽¹⁾	Ball Qty. x Dia.	Bearing Wt.	(2MM) LOAD RATINGS						(3MM) LOAD RATINGS					
						Steel Ball			Ceramic Ball			Steel Ball			Ceramic Ball		
						C ₀ Static	C _e Dynamic	Speed Rating ^(N_g)	C ₀ Static	C _e Dynamic	Speed Rating ^(N_g)	C ₀ Static	C _e Dynamic	Speed Rating ^(N_g)	C ₀ Static	C _e Dynamic	Speed Rating ^(N_g)
mm/in.		mm/in.	kg/lbs.	N/lbs.	RPM	N/lbs.	RPM	N/lbs.	RPM	N/lbs.	RPM	N/lbs.	RPM				
9300WI	10	22	6	12 x 3.2	0.010	1640	3510	77500	1460	3510	93000	1580	3380	69800	1410	3380	83760
	0.3937	0.8661	0.2362	12 x 1/8	0.02	370	790	77500	330	790	93000	360	760	69800	320	760	83760
9301WI	12	24	6	13 x 3.2	0.010	1840	3690	67200	1640	3690	80640	1770	3550	66500	1580	3550	79800
	0.4724	0.9449	0.2362	13 x 1/8	0.03	410	830	67200	370	830	80640	400	800	60500	350	800	79800
9302WI	15	28	7	13 x 3.6	0.020	2370	4560	55600	2110	4560	66720	2280	4360	50000	2030	4360	60000
	0.5906	1.1024	0.2756	14 x 9/64	0.04	530	1030	55600	470	1030	66720	510	980	50000	460	980	60000
9303WI	17	30	7	14 x 3.6	0.020	2800	4970	50100	2500	4970	60120	2680	4740	45100	2380	4740	5120
	0.6693	1.1811	0.2756	14 x 9/64	0.04	630	1120	50100	560	1120	60120	600	1070	45100	540	1070	54120
9304WI	20	37	9	14 x 4.8	0.040	4560	8080	42100	4050	8080	50520	4360	7700	41600	3880	7700	49920
	0.7874	1.4567	0.3543	14 x 3/16	0.08	1020	1820	42100	910	1820	50520	920	1730	37900	870	1730	49920
9305WI	25	42	9	17 x 4.8	0.040	5750	9040	34800	5120	9040	41760	5470	8590	31300	4860	8590	37500
	0.9843	1.6535	0.3543	17 x 3/16	0.10	1290	2030	34800	1150	2030	41760	1230	1930	31300	1090	1930	37560
9306WI	30	47	9	19 x 4.8	0.050	6610	9540	29700	5890	9540	35640	6270	9040	26700	5580	9040	32000
	1.1811	1.8504	0.3543	19 x 3/16	0.11	1490	2150	29700	1320	2150	35640	1410	2030	26700	1260	2030	32040
9307WI	35	55	10	19 x 5.6	0.080	9020	12600	25400	8020	12600	30480	8530	11600	22900	7590	11600	27500
	1.3780	2.1654	0.3937	19 x 7/32	0.17	2030	2830	25400	1800	2830	30480	1920	2680	22900	1710	2680	27480
9308WI	40	62	12	19 x 6.4	0.110	11700	16000	22400	10400	16000	26880	11100	15100	20200	9890	15100	2250
	1.5748	2.4409	0.4724	19 x 1/4	0.25	2640	3600	22400	2350	3600	26880	2500	3400	20200	2220	3400	24240
9309WI	45	68	12	21 x 6.4	0.130	13200	16800	20000	11700	16800	24000	12500	15900	18000	11100	15900	21600
	1.7717	2.6772	0.4724	21 x 1/4	0.29	2960	3785	20000	2640	3785	24000	2810	3560	18000	2500	3560	21600
9310WI	50	72	12	23 x 6.4	0.140	14600	17600	18300	13000	17600	21960	13800	16600	16500	12300	16600	14800
	1.9685	2.8346	0.4724	23 x 1/4	0.30	3290	3950	18300	2930	3950	21960	3100	3730	16500	2760	3730	19800
9311WI	55	80	13	23 x 7.1	0.190	18500	21800	16600	16400	21800	19920	17400	20600	14900	15500	20600	17900
	2.1654	3.1496	0.5118	23 x 9/32	0.41	4150	4900	16600	3700	4900	19920	3920	4620	14900	3490	4620	17880
9312WI	60	85	13	25 x 7.1	0.200	20200	22700	15300	18000	22700	18360	19000	21400	13800	16900	21400	16500
	2.3622	3.3465	0.5118	25 x 9/32	0.44	4540	5100	15300	4040	5100	18360	4270	4820	13800	3800	4820	16560
9313WI	65	90	13	27 x 7.1	0.220	21900	23600	14200	19500	23600	17040	20400	22200	12800	18100	22200	15300
	2.5591	3.5433	0.5118	27 x 9/32	0.47	4910	5290	14200	4370	5290	17040	4580	4990	12800	4080	4990	15360
9314WI	70	100	16	24 x 8.7	0.340	29000	32000	13100	25800	32000	15720	27300	30200	11800	24300	30200	14100
	2.7559	3.9370	0.6299	24 x 11/32	0.76	6510	7200	13100	5800	7200	15720	6130	6790	11800	5450	6790	14160
9315WI	75	105	16	25 x 8.7	0.360	30300	32500	12300	26900	32500	14760	28400	30600	11100	25200	30600	13300
	2.9528	4.1339	0.6299	25 x 11/32	0.80	6810	7310	12300	6060	7310	14760	6380	6890	11100	5670	6890	13320
9316WI	80	110	16	27 x 8.7	0.390	32700	33800	11600	29100	33800	13920	30500	31900	10400	27100	31900	12500
	3.1496	4.3307	0.6299	27 x 11/32	0.85	7350	7600	11600	6540	7600	13920	6860	7170	10400	6100	7170	12480
9317WI	85	120	18	26 x 9.5	0.560	37500	38700	10800	33400	38700	12960	35000	36500	9700	31200	36500	11600
	3.3465	4.7244	0.7087	26 x 3/8	1.23	8440	8700	10800	7510	8700	12960	7880	8200	9700	7010	8200	11640
9318WI	90	125	18	26 x 10.3	0.570	44000	45000	10300	39200	45000	12360	41200	42400	9300	36700	42400	11100
	3.5433	4.9213	0.7087	26 x 13/32	1.26	9900	10100	10300	8810	10100	12360	9270	9540	9300	8250	9540	11160

^(N_g) For a single, grease-lubricated, spring-preloaded bearing. This value to be used in permissible operating speed (Sp) calculation.

⁽¹⁾ Width tolerance of preloaded bearing set +0.000/-0.254 mm (+0.0000/-0.0100 in.).

⁽²⁾ ABMA STD 20 (r_{as} max).

WI CONSTRUCTION

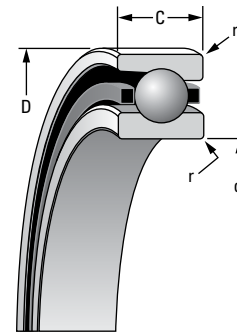
- Incorporates low shoulder on non-thrust side of outer rings.
- Balls separated by one-piece cage piloted against a ground thrust shoulder land of the outer ring.

r Rad. ⁽²⁾	Suggested Shoulder Diameters				Shaft Diameter		Mounting Fits		FIXED				FLOATING			
	Shaft		Housing		Max.	Min.	Loose	Tight	Housing Bore (Stationary)		Mounting Fits		Housing Bore (Stationary)		Mounting Fits	
	Max.	Min.	Max.	Min.					Max.	Min.	Tight	Loose	Max.	Min.	Loose	Loose
mm/in.	mm/in.		mm/in.		mm/in.		mm/in.		mm/in.		mm/in.		mm/in.		mm/in.	
0.3	13.2	13.0	19.6	19.3	10.000	9.995	0.005	0.004	22.005	22.000	0.000	0.010	22.010	22.005	0.015	0.005
0.012	0.52	0.51	0.77	0.76	0.39370	0.39350	0.00020	0.00015	0.86630	0.86610	0.00000	0.00040	0.86650	0.86630	0.00060	0.00020
0.3	15.2	14.9	21.6	21.3	12.000	11.995	0.005	0.004	24.005	24.000	0.000	0.010	24.010	24.005	0.015	0.005
0.012	0.60	0.59	0.85	0.84	0.47240	0.47220	0.00020	0.00015	0.94510	0.94490	0.00000	0.00040	0.94530	0.94510	0.00060	0.00020
0.3	18.3	18.1	25.5	25.2	15.000	14.995	0.005	0.004	28.005	28.000	0.000	0.010	28.010	28.005	0.015	0.005
0.012	0.72	0.71	1.00	0.99	0.59060	0.59040	0.00020	0.00015	1.02380	1.02360	0.00000	0.00040	1.02400	1.02380	0.00060	0.00020
0.3	20.3	20.0	27.5	27.2	17.000	16.995	0.005	0.004	30.005	30.000	0.000	0.010	30.010	30.005	0.015	0.005
0.012	0.80	0.79	1.08	1.07	0.66930	0.66910	0.00020	0.00015	1.18130	1.18110	0.00000	0.00040	1.18150	1.18130	0.00060	0.00020
0.3	24.1	23.9	33.7	33.4	20.000	19.995	0.005	0.005	37.006	37.000	0.000	0.012	37.010	37.005	0.016	0.005
0.012	0.95	0.94	1.33	1.32	0.78740	0.78720	0.00020	0.00020	1.45700	1.45670	0.00000	0.00050	1.45710	1.45690	0.00070	0.00020
0.3	29.1	28.9	38.7	38.4	25.000	24.995	0.005	0.005	42.006	42.000	0.000	0.012	42.010	42.005	0.016	0.005
0.012	1.15	1.14	1.52	1.51	0.98430	0.98410	0.00020	0.00020	1.65380	1.65350	0.00000	0.00050	1.65390	1.65370	0.00070	0.00020
0.3	34.1	33.9	43.7	43.4	30.000	29.995	0.005	0.005	47.006	47.000	0.000	0.012	47.012	47.007	0.018	0.007
0.012	1.34	1.33	1.72	1.71	1.18110	1.18090	0.00020	0.00020	1.85070	1.85040	0.00000	0.00050	1.85090	1.85070	0.00080	0.00030
0.6	40.0	39.5	51.1	50.6	35.000	34.995	0.005	0.006	55.008	55.000	0.000	0.015	55.012	55.007	0.019	0.007
0.024	1.57	1.55	2.01	1.99	1.37800	1.37780	0.00020	0.00025	2.16570	2.16540	0.00000	0.00060	2.16590	2.16570	0.00080	0.00030
0.6	45.1	44.6	57.9	57.4	40.000	39.995	0.005	0.006	62.008	62.000	0.000	0.015	62.012	62.007	0.019	0.007
0.024	1.78	1.76	2.28	2.26	1.57480	1.57460	0.00020	0.00025	2.44120	2.44090	0.00000	0.00060	2.44140	2.44120	0.00080	0.00030
0.6	50.7	50.1	63.4	62.9	45.000	44.995	0.005	0.006	68.008	68.000	0.000	0.015	68.012	68.007	0.019	0.007
0.024	1.99	1.97	2.50	2.48	1.77170	1.77150	0.00020	0.00025	2.67750	2.67720	0.00000	0.00060	2.67770	2.67750	0.00080	0.00030
0.6	55.1	54.6	67.9	67.4	50.000	49.995	0.005	0.006	72.008	72.000	0.000	0.015	72.011	72.007	0.019	0.007
0.024	2.17	2.15	2.67	2.65	1.96850	1.96830	0.00020	0.00025	2.83490	2.83460	0.00000	0.00060	2.83510	2.83490	0.00080	0.00030
1.0	60.9	60.4	75.2	74.7	55.000	54.995	0.005	0.007	80.008	80.000	0.000	0.016	80.012	80.008	0.020	0.008
0.039	2.40	2.38	2.96	2.94	2.16540	2.16520	0.00020	0.00030	3.14990	3.14960	0.00000	0.00060	3.15010	3.14990	0.00080	0.00030
1.0	65.8	65.3	80.2	79.7	60.000	59.995	0.005	0.007	85.008	85.000	0.000	0.016	85.016	85.009	0.024	0.009
0.039	2.59	2.57	3.16	3.14	2.36220	2.36200	0.00020	0.00030	3.34680	3.34650	0.00000	0.00060	3.34710	3.34680	0.00090	0.00030
1.0	70.8	70.3	85.2	84.7	65.000	64.995	0.005	0.007	90.008	90.000	0.000	0.016	90.015	90.007	0.023	0.007
0.039	2.79	2.77	3.35	3.33	2.55910	2.55890	0.00020	0.00030	3.54360	3.54330	0.00000	0.00060	3.54390	3.54360	0.00090	0.00030
1.0	76.8	76.3	94.3	93.8	70.000	69.995	0.005	0.007	100.008	100.000	0.000	0.016	100.018	100.010	0.025	0.010
0.039	3.02	3.00	3.71	3.69	2.75590	2.75570	0.00020	0.00030	3.93730	3.93700	0.00000	0.00060	3.93770	3.93740	0.00100	0.00040
1.0	81.9	81.1	99.4	98.6	75.005	74.995	0.005	0.012	105.008	105.000	0.000	0.016	105.019	105.011	0.026	0.011
0.039	3.22	3.19	3.91	3.88	2.95300	2.95260	0.00020	0.00050	4.13420	4.13390	0.00000	0.00060	4.13460	4.13430	0.00100	0.00040
1.0	86.9	86.1	104.4	103.6	80.005	79.995	0.005	0.012	110.008	110.000	0.000	0.016	110.018	110.010	0.025	0.010
0.039	3.42	3.39	4.11	4.08	3.14980	3.14940	0.00020	0.00050	4.33100	4.33070	0.00000	0.00060	4.33140	4.33110	0.00100	0.00040
1.0	93.6	92.8	112.7	111.9	85.005	84.995	0.005	0.012	120.008	120.000	0.000	0.016	120.018	120.010	0.025	0.010
0.039	3.69	3.66	4.44	4.41	3.34670	3.34630	0.00020	0.00050	4.72470	4.72440	0.00000	0.00060	4.72510	4.72480	0.00100	0.00040
1.0	97.8	97.0	118.5	117.7	90.005	89.995	0.005	0.013	125.008	125.000	0.000	0.017	125.021	125.011	0.030	0.011
0.039	3.85	3.82	4.66	4.63	3.54350	3.54310	0.00020	0.00050	4.92160	4.92130	0.00000	0.00070	4.92210	4.92170	0.00120	0.00040

Continued on next page.



ULTRA-LIGHT ISO 19 SERIES
2(3)MM9300WI – continued



SUPER PRECISION MM

Running accuracy and performance meet ABEC 9 (ISO P2) levels.
 Other features conform to ABEC 7 (ISO P4) requirements.

Bearing Number 2MM or 3MM	d Bore	D O.D.	C Width ⁽¹⁾	Ball Qty. x Dia.	Bearing Wt.	(2MM) LOAD RATINGS						(3MM) LOAD RATINGS					
						Steel Ball			Ceramic Ball			Steel Ball			Ceramic Ball		
						C ₀ Static	C _e Dynamic	Speed Rating ^(N_g)	C ₀ Static	C _e Dynamic	Speed Rating ^(N_g)	C ₀ Static	C _e Dynamic	Speed Rating ^(N_g)	C ₀ Static	C _e Dynamic	Speed Rating ^(N_g)
	mm/in.	mm/in.	mm/in.	mm/in.	kg/lbs.	N/lbs.	RPM	N/lbs.	RPM	N/lbs.	RPM	N/lbs.	RPM	N/lbs.	RPM		
9319WI	95 3.7402	130 5.1181	18 0.7087	28 x 10.3 28 x 13/32	0.600 1.33	47400 10700	46800 10500	9800 9800	42200 9480	46800 10500	11760 11760	44200 9930	44100 9910	8800 8800	39300 8840	44100 9910	10500 10560
9320WI	100 3.9370	140 5.5118	20 0.7874	29 x 10.3 29 x 13/32	0.850 1.87	48800 11000	47200 10600	9100 9100	43400 9760	47200 10600	10920 10920	45500 10200	44400 9900	8200 8200	40500 9100	44400 9900	9800 9840
9322WI	110 4.3307	150 5.9055	20 0.7874	31 x 10.3 31 x 13/32	0.920 2.02	51700 11600	48400 10900	8400 8400	46000 10300	48400 10900	10080 10080	48200 10800	45600 10200	7600 7600	42900 9650	45600 10200	9100 9120
9324WI	120 4.7244	165 6.4961	22 0.8661	30 x 11.9 30 x 15/32	1.240 2.74	66900 15000	62000 13900	7700 7700	59500 13400	62000 13900	9240 9240	62300 14000	58300 13100	6900 6900	55500 12500	58300 13100	8300 8280
9326WI	130 5.1181	180 7.0866	24 0.9449	30 x 13.5 30 x 17/32	1.650 3.63	86400 19400	78500 17600	7100 7100	76900 17300	78500 17600	8520 8520	80500 18100	73900 16600	6400 6400	71700 16100	73900 16600	7700 7680
9328WI	140 5.5118	190 7.4803	24 0.9449	32 x 13.5 32 x 17/32	1.750 3.85	91600 20600	80700 18200	6600 6600	81500 18300	80700 18200	7920 7920	85400 19200	76000 17100	5900 5900	76000 17100	76000 17100	7000 7080
9330WI	150 5.9055	210 8.2677	28 1.1024	27 x 17.5 27 x 11/16	2.610 5.75	130800 29400	119200 26800	6200 6200	116400 26200	119200 26800	7440 7440	122700 27600	112400 25300	5600 5600	109200 24500	112400 25300	6700 6720
9332WI	160 6.2992	220 8.6614	28 1.1024	27 x 18.3 27 x 23/32	2.750 6.06	143100 32200	128900 29000	5800 5800	127300 28600	128900 29000	6960 6960	134100 30100	121600 27300	5800 5800	119300 26800	121600 27300	6690 6960
9334WI	170 6.6929	230 9.0551	28 1.1024	29 x 18.3 29 x 23/32	2.880 6.34	153600 34500	133700 30100	5500 5500	136700 30700	133700 30100	6600 6600	143200 32200	126000 28300	5000 5000	127500 28700	126000 28300	6000 6000
9340WI	200 7.8740	280 11.0236	38 1.4961	27 x 23.8 27 x 15/16	6.290 13.87	243300 54600	209400 47100	4600 4600	216300 48600	209400 47100	5520 5520	228800 51400	197500 44400	4100 4100	203600 45800	197700 44400	4900 4920

(N_g) For a single, grease-lubricated, spring-preloaded bearing. This value to be used in permissible operating speed (Sp) calculation.

(1) Width tolerance of preloaded bearing set +0.000/-0.254 mm (+0.0000/-0.0100 in.).

(2) ABMA STD 20 (r_{as} max).

WI CONSTRUCTION

- Incorporates low shoulder on non-thrust side of outer rings.
- Balls separated by one-piece cage piloted against a ground thrust shoulder land of the outer ring.

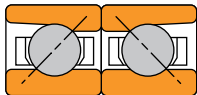
r Rad. ⁽²⁾	Suggested Shoulder Diameters				Shaft Diameter		Mounting Fits		FIXED				FLOATING			
	Shaft		Housing		Max.	Min.	Loose	Tight	Housing Bore (Stationary)		Mounting Fits		Housing Bore (Stationary)		Mounting Fits	
	Max.	Min.	Max.	Min.					Max.	Min.	Tight	Loose	Max.	Min.	Loose	Loose
mm/in.	mm/in.		mm/in.		mm/in.		mm/in.		mm/in.		mm/in.		mm/in.		mm/in.	
1.0 0.039	102.8 4.05	102.0 4.02	123.5 4.86	122.7 4.83	95.005 3.74040	94.995 3.74000	0.005 0.00020	0.013 0.00050	130.009 5.11850	130.000 5.11810	0.000 0.00000	0.018 0.00070	130.020 5.11890	130.010 5.11850	0.029 0.00110	0.010 0.00040
1.0 0.039	110.3 4.34	109.5 4.31	131.0 5.16	130.2 5.13	100.005 3.93720	99.995 3.93680	0.005 0.00020	0.013 0.00050	140.009 5.51220	140.000 5.51180	0.000 0.00000	0.018 0.00070	140.020 5.51260	140.010 5.51220	0.029 0.00110	0.010 0.00040
1.0 0.039	120.3 4.74	119.5 4.71	141.0 5.55	140.2 5.52	110.005 4.33090	109.995 4.33050	0.005 0.00020	0.013 0.00050	150.009 5.90590	150.000 5.90550	0.000 0.00000	0.018 0.00070	150.023 5.90640	150.012 5.90600	0.032 0.00120	0.012 0.00050
1.0 0.039	131.2 5.16	130.4 5.13	155.0 6.10	154.3 6.07	120.005 4.72460	119.995 4.72420	0.005 0.00020	0.013 0.00050	165.010 6.49650	165.000 6.49610	0.000 0.00000	0.020 0.00080	165.022 6.49700	165.012 6.49660	0.032 0.00130	0.012 0.00050
1.5 0.059	142.1 5.60	141.4 5.57	169.2 6.66	168.4 6.63	130.005 5.11830	129.995 5.11790	0.005 0.00020	0.015 0.00060	180.010 7.08700	180.000 7.08660	0.000 0.00000	0.020 0.00080	180.022 7.08750	180.012 7.08710	0.032 0.00130	0.012 0.00050
1.5 0.059	152.1 5.99	151.4 5.96	179.2 7.05	178.4 7.02	140.005 5.51200	139.995 5.51160	0.005 0.00020	0.015 0.00060	190.010 7.48070	190.000 7.48030	0.000 0.00000	0.021 0.00080	190.022 7.48120	190.012 7.48080	0.033 0.00140	0.012 0.00050
2.0 0.079	163.1 6.42	162.4 6.39	198.2 7.80	197.4 7.77	150.005 5.90570	149.995 5.90530	0.005 0.00020	0.015 0.00060	210.011 8.26820	210.000 8.26770	0.000 0.00000	0.022 0.00090	210.025 8.26870	210.015 8.26830	0.036 0.00150	0.015 0.00060
2.0 0.079	173.2 6.82	172.4 6.79	208.2 8.20	207.4 8.17	160.005 6.29940	159.995 6.29900	0.005 0.00020	0.015 0.00060	220.011 8.66190	220.000 8.66140	0.000 0.00000	0.022 0.00090	220.025 8.66240	220.015 8.66200	0.036 0.00150	0.015 0.00060
2.0 0.079	185.4 7.30	184.7 7.27	216.1 8.51	215.4 8.48	170.005 6.69310	169.995 6.69270	0.005 0.00020	0.015 0.00060	230.011 9.05560	230.000 9.05510	0.000 0.00000	0.022 0.00090	230.025 9.05610	230.015 9.05570	0.036 0.00150	0.015 0.00060
2.1 0.083	216.8 8.54	216.0 8.51	264.5 10.41	263.7 10.38	200.008 7.87430	199.993 7.87370	0.007 0.00030	0.019 0.00080	280.013 11.02410	280.000 11.02360	0.000 0.00000	0.026 0.00100	280.031 11.02490	280.018 11.02440	0.044 0.00180	0.018 0.00080



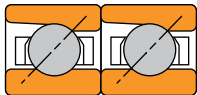
**ULTRA-LIGHT
2MM9300WI
ISO 19 SERIES**

**DUPLEX
PERFORMANCE DATA**

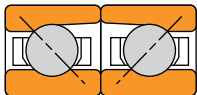
MOUNTING ARRANGEMENTS



**Back-to-Back
DB**



**Tandem
DT**



**Face-to-Face
DF**

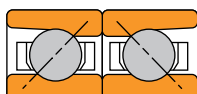
Bearing Number	Preload				Axial Stiffness ⁽¹⁾				Radial Stiffness ⁽¹⁾				Spacer Offsets ⁽¹⁾		
	X-light	DUL Light	DUM Med.	DUH Heavy	X-light	Light	Med.	Heavy	X-light	Light	Med.	Heavy	X-light to Light	Light to Med.	Med. to Heavy
	N lbs.				N/μm 10 ⁶ lbs./in.				N/μm 10 ⁶ lbs./in.				μm in.		
2MM9300WI	—	15	25	55	14.17	16.44	21.69	29.21	—	73.11	92.17	115.43	1.30	2.80	4.10
	—	3	6	12	0.081	0.094	0.124	0.167	—	0.418	0.527	0.660	0.00005	0.00011	0.00016
2MM9301WI	—	15	25	55	14.87	17.32	22.74	30.61	—	76.96	97.42	121.91	1.00	2.50	4.10
	—	3	6	12	0.085	0.099	0.130	0.175	—	0.440	0.557	0.697	0.00004	0.00010	0.00016
2MM9302WI	—	20	45	90	16.44	20.11	26.76	36.55	—	98.12	123.30	153.91	2.00	3.80	5.60
	—	5	10	20	0.094	0.115	0.153	0.209	—	0.561	0.705	0.880	0.00008	0.00015	0.00022
2MM9303WI	—	20	65	130	17.84	21.86	34.63	47.75	—	107.91	154.96	192.74	1.80	6.40	6.40
	—	5	15	30	0.102	0.125	0.198	0.273	—	0.617	0.886	1.102	0.00007	0.00025	0.00025
2MM9304WI	—	45	90	160	18.19	26.41	35.68	46.17	—	148.32	186.09	222.47	4.80	5.80	6.60
	—	10	20	35	0.104	0.151	0.204	0.264	—	0.848	1.064	1.272	0.00019	0.00023	0.00026
2MM9305WI	—	45	110	180	20.64	29.56	43.90	54.57	—	168.78	228.24	265.15	4.30	7.40	5.30
	—	10	25	40	0.118	0.169	0.251	0.312	—	0.965	1.305	1.516	0.00017	0.00029	0.00021
2MM9306WI	—	45	110	180	22.04	31.48	46.52	57.89	—	181.55	246.08	286.14	4.10	6.90	5.10
	—	10	25	40	0.126	0.180	0.266	0.331	—	1.038	1.407	1.636	0.00016	0.00027	0.00020
2MM9307WI	—	45	110	240	25.36	33.06	48.27	68.74	—	189.42	258.68	333.53	3.00	6.60	9.10
	—	10	25	55	0.145	0.189	0.276	0.393	—	1.083	1.479	1.907	0.00012	0.00026	0.00036
2MM9308WI	30	65	160	310	27.28	39.00	55.44	76.08	146.16	229.12	304.68	380.76	4.80	7.60	9.40
	5	15	35	70	0.156	0.223	0.317	0.435	0.835	1.310	1.742	2.177	0.00019	0.00030	0.00037
2MM9309WI	30	90	180	360	36.53	46.35	62.26	85.35	208.32	270.22	340.18	425.53	5.80	6.60	9.70
	10	20	40	80	0.209	0.265	0.356	0.488	1.190	1.545	1.945	2.433	0.00023	0.00026	0.00038
2MM9310WI	40	90	200	400	34.28	48.97	68.91	94.80	219.83	286.84	376.21	469.96	5.10	7.60	9.70
	10	20	45	90	0.196	0.280	0.394	0.542	1.255	1.640	2.151	2.687	0.0002	0.00030	0.00038
2MM9311WI	40	110	240	490	38.83	55.27	76.96	105.46	222.62	320.24	416.96	521.03	5.60	8.10	10.70
	10	25	55	110	0.222	0.316	0.440	0.603	1.271	1.831	2.384	2.979	0.00022	0.00032	0.00042
2MM9312WI	40	110	240	510	43.73	58.24	80.63	112.64	233.31	338.08	441.10	559.51	4.60	7.60	10.90
	10	25	55	115	0.250	0.333	0.461	0.644	1.332	1.933	2.522	3.199	0.00018	0.00030	0.00043
2MM9313WI	70	130	270	530	50.02	65.59	87.62	119.63	290.72	378.83	478.00	597.63	4.60	6.90	10.40
	15	30	60	120	0.286	0.375	0.501	0.684	1.660	2.166	2.733	3.417	0.00018	0.00027	0.00041
2MM9314WI	70	180	360	710	49.67	69.44	93.05	127.50	283.26	416.61	525.40	656.75	6.90	8.60	13.00
	15	40	80	160	0.284	0.397	0.532	0.729	1.618	2.382	3.004	3.755	0.00027	0.00034	0.00051
2MM9315WI	90	180	380	760	53.17	71.18	97.77	134.15	328.58	427.81	550.94	688.58	6.10	9.40	13.00
	20	40	85	170	0.304	0.407	0.559	0.767	1.876	2.446	3.150	3.937	0.00024	0.00037	0.00051
2MM9316WI	90	200	400	800	57.89	78.18	104.59	143.59	340.07	468.73	591.16	738.95	6.40	8.60	13.00
	20	45	90	180	0.331	0.447	0.598	0.821	1.942	2.680	3.380	4.225	0.00042	0.00034	0.00051
2MM9317WI	110	270	530	1070	61.39	85.88	115.78	160.03	373.23	521.20	655.00	817.48	8.10	10.70	15.50
	25	60	120	240	0.351	0.491	0.662	0.915	2.131	2.980	3.745	4.674	0.00032	0.00042	0.00061
2MM9318WI	110	270	530	1070	65.06	90.25	120.51	164.93	379.27	528.37	666.72	833.75	7.90	10.20	15.00
	25	60	120	240	0.372	0.516	0.689	0.943	2.166	3.021	3.812	4.767	0.00031	0.00040	0.00059
2MM9319WI	130	290	580	1160	70.13	97.42	130.13	178.05	428.12	570.17	719.36	899.51	7.90	10.20	15.00
	30	65	130	260	0.401	0.557	0.744	1.018	2.445	3.260	4.113	5.143	0.00031	0.00040	0.00059
2MM9320WI	130	360	710	1470	75.38	108.26	145.52	203.23	436.73	626.49	788.27	993.43	9.10	11.20	17.30
	30	80	160	330	0.431	0.619	0.832	1.162	2.494	3.582	4.507	5.680	0.00036	0.00044	0.00068
2MM9322WI	180	400	800	1600	88.15	125.75	169.48	234.19	511.47	681.41	856.84	1068.81	9.10	11.40	17.00
	40	90	180	360	0.504	0.719	0.969	1.339	2.921	3.896	4.899	6.111	0.00036	0.00045	0.00067
2MM9324WI	200	490	980	1960	91.81	130.59	175.36	241.16	537.94	752.94	947.08	1181.97	10.70	13.20	19.30
	45	110	220	440	0.524	0.746	1.001	1.377	3.072	4.305	5.415	6.758	0.00042	0.00052	0.00076
2MM9326WI	220	620	1220	2450	106.69	150.06	201.48	280.36	577.30	846.52	1058.84	1322.07	13.00	14.20	21.30
	50	140	275	550	0.610	0.858	1.152	1.603	3.297	4.840	6.054	7.559	0.00051	0.00056	0.00084
2MM9328WI	270	620	1250	2560	105.11	159.68	214.43	297.33	648.08	883.59	1112.54	1401.30	11.20	14.20	21.80
	60	140	280	575	0.601	0.913	1.226	1.700	3.701	5.052	6.361	8.012	0.00044	0.00056	0.00086
2MM9330WI	290	850	1690	3450	107.62	163.29	218.65	302.49	626.95	954.95	1203.31	1512.71	16.80	18.00	27.40
	65	190	380	775	0.615	0.932	1.249	1.727	3.580	5.460	6.880	8.649	0.00066	0.00071	0.00108
2MM9332WI	489	980	1980	3960	131.90	173.60	234.10	322.10	791.24	1013.50	1281.00	1600.00	12.70	19.80	28.45
	110	220	445	890	0.753	0.991	1.337	1.839	4.518	5.787	7.315	9.135	0.0005	0.00078	0.00112
2MM9334WI	360	1020	2050	4000	122.06	184.37	247.29	336.09	720.86	1085.95	1367.72	1696.36	17.50	19.30	27.20
	80	230	460	900	0.697	1.053	1.412	1.919	4.116	6.209	7.820	9.699	0.00069	0.00076	0.00107
2MM9340WI	778	1560	3110	6230	164.93	217.05	291.03	399.82	1006.20	1296.71	1634.27	2042.83	16.30	24.40	36.10
	175	350	700	1400	0.943	1.241	1.664	2.286	5.746	7.414	9.344	11.680	0.00064	0.00096	0.00142

⁽¹⁾ For DB or DF arrangements only. For other mounting arrangements, contact your Timken representative.

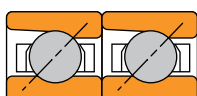
**ULTRA-LIGHT
3MM9300WI
ISO 19 SERIES**

**DUPLEX
PERFORMANCE DATA**

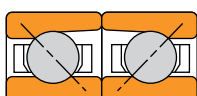
MOUNTING ARRANGEMENTS



**Back-to-Back
DB**



**Tandem
DT**



**Face-to-Face
DF**

Bearing Number	Preload				Axial Stiffness ⁽¹⁾				Radial Stiffness ⁽¹⁾				Spacer Offsets ⁽¹⁾		
	DUX X-light	DUL Light	DUM Med.	DUH Heavy	X-light	Light	Med.	Heavy	X-light	Light	Med.	Heavy	X-light to Light	Light to Med.	Med. to Heavy
	N lbs.				N/μm 10 ⁶ lbs./in.				N/μm 10 ⁶ lbs./in.				μm in.		
3MM9300WI	—	20	45	90	—	32.70	42.30	55.30	—	70.50	88.70	110.90	—	2.54	3.81
	—	5	10	20	—	0.187	0.242	0.316	—	0.403	0.507	0.634	—	0.00010	0.00015
3MM9301WI	—	20	45	90	—	34.50	44.50	58.140	—	74.40	93.70	117.30	—	2.030	3.81
	—	5	10	20	—	0.197	0.254	0.332	—	0.425	0.535	0.670	—	0.00008	0.00015
3MM9302WI	—	45	90	160	—	46.40	60.20	75.20	—	96.90	121.60	145.20	—	3.30	4.06
	—	10	20	35	—	0.265	0.344	0.430	—	0.554	0.695	0.830	—	0.00013	0.00016
3MM9303WI	—	45	130	240	—	50.70	77.00	98.60	—	106.50	152.50	184.50	—	5.59	5.08
	—	10	30	55	—	0.290	0.440	0.564	—	0.609	0.872	1.055	—	0.00022	0.00020
3MM9304WI	—	45	155	265	—	51.80	82.70	102.40	—	112.40	170.60	202.60	—	6.60	5.08
	—	10	35	60	—	0.296	0.472	0.585	—	0.642	0.974	1.157	—	0.00026	0.00020
3MM9305WI	—	65	180	310	—	67.90	97.90	122.40	—	146.70	202.90	242.80	—	5.33	4.83
	—	15	40	70	—	0.388	0.560	0.700	—	0.839	1.160	1.388	—	0.00021	0.00019
3MM9306WI	—	70	180	310	—	72.90	105.30	130.70	—	157.80	218.80	262.00	—	5.08	4.57
	—	15	40	70	—	0.417	0.602	0.747	—	0.902	1.251	1.498	—	0.00020	0.00018
3MM9307WI	45	90	240	420	67.10	84.60	123.30	152.50	141.29	182.80	255.70	304.90	2.32	5.84	5.08
	10	20	55	95	0.383	0.484	0.705	0.872	0.807	1.045	1.462	1.743	0.00009	0.00023	0.00020
3MM9308WI	65	130	310	560	81.41	101.80	139.40	174.90	169.34	218.80	289.80	349.30	2.87	5.84	6.10
	15	30	70	125	0.465	0.582	0.797	1.000	0.967	1.251	1.657	1.997	0.00011	0.00023	0.00024
3MM9309WI	90	160	360	670	96.15	114.70	156.20	199.70	200.56	246.30	323.90	396.30	2.49	5.84	6.86
	20	35	80	150	0.549	0.656	0.893	1.142	1.145	1.408	1.852	2.266	0.00010	0.00023	0.00027
3MM9310WI	90	160	400	670	101.98	121.50	174.60	210.90	212.51	261.50	357.80	419.60	2.35	6.60	5.59
	20	35	90	150	0.582	0.695	0.998	1.206	1.214	1.495	2.046	2.399	0.00009	0.00026	0.00022
3MM9311WI	90	200	490	850	105.30	138.70	193.80	239.80	218.94	294.50	396.30	472.60	3.60	6.86	6.60
	20	45	110	190	0.601	0.793	1.108	1.371	1.250	1.684	2.266	2.702	0.00014	0.00027	0.00026
3MM9312WI	90	200	510	890	111.17	146.70	207.60	257.50	230.00	311.10	425.40	508.40	3.41	6.86	6.60
	20	45	115	200	0.635	0.839	1.187	1.472	1.313	1.779	2.432	2.907	0.00013	0.00027	0.00026
3MM9313WI	110	220	530	1070	126.38	159.70	221.20	290.00	263.42	339.30	454.40	599.20	3.08	6.60	8.38
	25	50	120	240	0.722	0.913	1.265	1.658	1.504	1.940	2.598	3.426	0.00012	0.00026	0.00033
3MM9314WI	130	290	710	1290	131.95	171.60	239.40	301.70	275.56	366.40	494.80	599.20	4.06	8.13	8.64
	30	65	160	290	0.753	0.981	1.369	1.725	1.574	2.095	2.829	3.426	0.00016	0.00032	0.00034
3MM9315WI	155	310	760	1330	143.02	180.80	251.30	313.40	300.14	385.70	518.80	622.80	3.81	8.13	8.13
	35	70	170	300	0.817	1.034	1.437	1.792	1.714	2.205	2.966	3.561	0.00015	0.00032	0.00032
3MM9316WI	180	330	800	1380	156.07	194.80	269.30	332.70	332.81	415.70	556.70	663.40	3.53	7.87	7.62
	40	75	180	310	0.891	1.114	1.540	1.902	1.901	2.377	3.183	3.793	0.00014	0.00031	0.00030
3MM9317WI	220	470	1160	2000	167.43	235.80	329.90	408.00	362.86	504.10	682.10	814.20	4.64	9.65	9.14
	50	100	240	420	0.956	1.229	1.705	2.126	2.072	2.642	3.528	4.221	0.00018	0.00038	0.00038
3MM9318WI	220	400	930	1670	166.56	212.70	290.50	363.10	353.59	455.30	605.20	730.20	4.20	8.38	8.89
	50	90	210	375	0.951	1.216	1.661	2.076	2.019	2.603	3.460	4.175	0.00017	0.00033	0.00035
3MM9319WI	220	470	1160	2000	181.36	235.80	329.90	408.00	385.62	504.10	682.10	814.20	4.67	9.65	9.14
	50	105	260	450	1.036	1.348	1.886	2.333	2.202	2.882	3.900	4.655	0.00018	0.00038	0.00036
3MM9320WI	310	600	1470	2560	208.89	264.30	369.20	459.80	447.55	562.00	754.70	901.40	4.87	10.92	10.41
	70	135	330	575	1.193	1.511	2.111	2.629	2.556	3.213	4.315	5.154	0.00019	0.00043	0.00041
3MM9322WI	330	670	1600	2780	223.48	286.50	397.90	494.80	478.83	608.70	812.10	968.60	5.21	10.92	10.41
	75	150	360	625	1.276	1.638	2.275	2.829	2.734	3.480	4.643	5.538	0.00021	0.00043	0.00041
3MM9324WI	400	800	1960	3450	246.50	311.70	421.30	543.90	517.55	663.70	891.80	1069.20	5.68	12.19	12.19
	90	180	440	775	1.408	1.782	2.409	3.110	2.955	3.795	5.099	6.113	0.00022	0.00048	0.00048
3MM9326WI	510	1020	2450	4340	274.75	352.60	488.30	611.50	589.82	751.20	1002.20	1198.90	6.50	13.46	13.72
	115	230	550	975	1.569	2.016	2.792	3.496	3.368	4.295	5.730	6.855	0.00026	0.00053	0.00054
3MM9328WI	530	1070	2560	4450	290.81	373.10	516.80	642.10	624.06	795.40	1062.20	1268.50	6.41	13.21	13.21
	120	240	575	1000	1.661	2.130	2.950	3.660	3.564	4.548	6.073	7.253	0.00025	0.00052	0.00052
3MM9330WI	710	1450	3450	6000	312.13	401.10	551.10	688.20	665.61	854.60	1144.00	1363.00	8.19	16.76	16.26
	160	325	775	1350	1.782	2.296	3.172	3.939	3.801	4.886	6.519	7.793	0.00032	0.00066	0.00064
3MM9332WI	800	1580	3950	6940	328.01	418.20	588.90	734.10	705.23	876.50	1215.90	1455.70	8.32	18.80	17.78
	180	355	890	1560	1.873	2.388	3.363	4.192	4.027	5.119	6.943	8.312	0.00033	0.00074	0.00070
3MM9334WI	800	1600	4000	6940	329.63	440.00	618.20	760.40	704.23	944.30	1280.70	1519.00	9.20	18.29	16.26
	180	360	900	1560	1.882	2.512	3.530	4.342	4.021	5.392	7.313	8.674	0.00036	0.00072	0.00064
3MM9340WI	1250	3110	6230	12460	415.57	580.10	751.00	985.00	888.10	1222.00	1537.00	1920.40	14.97	18.80	28.70
	280	700	1400	2800	2.373	3.317	4.294	5.632	5.071	6.987	8.788	10.980	0.00059	0.00074	0.00113

⁽¹⁾ For DB or DF arrangements only. For other mounting arrangements, contact your Timken representative.

**ULTRA-LIGHT 2MM9300WI
ISO 19 SERIES**

SPEED CAPABILITY DATA

Bearing Number	Grease Capacity ⁽¹⁾				Operating Speeds ⁽⁴⁾ (DB Mounting) ⁽⁵⁾					
	Low Speed ⁽²⁾		High Speed ⁽³⁾		Grease			Oil		
	25%	40%	15%	20%	DUL	DUM	DUH	DUL	DUM	DUH
	grams		grams		RPM			RPM		
2MM9300WI	0.09	0.15	0.06	0.08	62000	46500	31000	105400	79100	52700
2MM9301WI	0.11	0.17	0.07	0.10	53800	40300	26900	91500	68500	45700
2MM9302WI	0.17	0.28	0.12	0.15	44500	33400	22200	75700	56800	37700
2MM9303WI	0.19	0.30	0.12	0.16	40100	30100	20000	68200	51200	34000
2MM9304WI	0.40	0.60	0.25	0.34	33700	25300	16800	57300	43000	28600
2MM9305WI	0.40	0.70	0.29	0.39	27800	20900	13900	47300	35500	23600
2MM9306WI	0.50	0.80	0.34	0.45	23800	17800	11900	40500	30300	20200
2MM9307WI	0.80	1.20	0.51	0.68	20300	15200	10200	34500	25800	17300
2MM9308WI	1.20	1.90	0.80	1.07	17900	13400	9000	30400	22800	15300
2MM9309WI	1.30	2.10	0.88	1.18	16000	12000	8000	27200	20400	13600
2MM9310WI	1.40	2.30	0.95	1.27	14600	11000	7300	24800	18700	12400
2MM9311WI	1.90	3.00	1.30	1.70	13300	10000	6600	22600	17000	11200
2MM9312WI	2.00	3.20	1.40	1.80	12200	9200	6100	20700	15600	10400
2MM9313WI	2.10	3.40	1.40	1.90	11400	8500	5700	19400	14500	9700
2MM9314WI	3.60	5.70	2.40	3.20	10500	7900	5200	17900	13400	8800
2MM9315WI	3.80	6.10	2.50	3.40	9800	7400	4900	16700	12600	8300
2MM9316WI	4.00	6.40	2.70	3.50	9300	7000	4600	15800	11900	7800
2MM9317WI	5.30	8.60	3.60	4.80	8600	6500	4300	14600	11100	7300
2MM9318WI	5.90	9.40	3.90	5.20	8200	6200	4100	13900	10500	7000
2MM9319WI	6.10	9.70	4.10	5.40	7800	5900	3900	13300	10000	6600
2MM9320WI	7.50	12.00	5.00	6.70	7300	5500	3600	12400	9400	6100
2MM9322WI	8.10	13.00	5.40	7.30	6700	5000	3400	11400	8500	5800
2MM9324WI	11.10	17.80	7.40	9.90	6200	4600	3100	10500	7800	5300
2MM9326WI	14.60	23.30	9.70	13.00	5700	4300	2800	9700	7300	4800
2MM9328WI	15.50	24.80	10.40	13.80	5300	4000	2600	9000	6800	4400
2MM9330WI	24.80	39.70	16.60	22.10	5000	3700	2500	8500	6300	4300
2MM9332WI	26.20	41.90	17.50	23.30	4600	3500	2300	7900	5900	3900
2MM9334WI	28.20	45.20	18.90	25.10	4400	3300	2200	7500	5600	3700
2MM9340WI	56.80	90.90	37.90	50.60	3700	2800	1800	6300	4700	3100

(1) Fill weights based on specific gravity of 0.99.

(2) Low speed <500000 dN.

(3) High speed ≥ 500000 dN.

(4) For ceramic ball complements, use 120 percent of speeds shown.

(5) For other mounting arrangement configurations, refer to the engineering section on permissible speed calculation methods.

ULTRA-LIGHT 3MM9300WI
ISO 19 SERIES

SPEED CAPABILITY DATA

Bearing Number	Grease Capacity ⁽¹⁾				Operating Speeds ⁽⁴⁾ (DB Mounting) ⁽⁵⁾					
	Low Speed ⁽²⁾		High Speed ⁽³⁾		Grease			Oil		
	25%	40%	15%	20%	DUL	DUM	DUH	DUL	DUM	DUH
	grams		grams		RPM			RPM		
3MM9300WI	0.09	0.15	0.06	0.08	55800	41850	27900	94860	71190	47430
3MM9301WI	0.11	0.17	0.07	0.10	48420	36270	24210	82350	61650	41130
3MM9302WI	0.17	0.28	0.12	0.15	40050	30060	19980	68130	51120	33930
3MM9303WI	0.19	0.30	0.12	0.16	36090	27090	18000	61380	46080	30600
3MM9304WI	0.40	0.60	0.25	0.34	30330	22770	15120	51570	38700	25740
3MM9305WI	0.40	0.70	0.29	0.39	25020	18810	12510	42570	31950	21240
3MM9306WI	0.50	0.80	0.34	0.45	21420	16020	10710	36450	27270	18180
3MM9307WI	0.80	1.20	0.51	0.68	18270	13680	9180	31050	23220	15570
3MM9308WI	1.20	1.90	0.80	1.07	16110	12060	8100	27360	20520	3770
3MM9309WI	1.30	2.10	0.88	1.18	14400	10800	7200	24480	18360	12240
3MM9310WI	1.40	2.30	0.95	1.27	13140	9900	6570	22320	16830	11160
3MM9311WI	1.90	3.00	1.30	1.70	11970	9000	5940	20340	15300	10080
3MM9312WI	2.00	3.20	1.40	1.80	10980	8280	5490	18630	14040	9360
3MM9313WI	2.10	3.40	1.40	1.90	10260	7650	5130	17460	13050	8730
3MM9314WI	3.60	5.70	2.40	3.20	9450	7110	4680	16110	12060	7920
3MM9315WI	3.80	6.10	2.50	3.40	8820	6660	4410	15030	11340	7470
3MM9316WI	4.00	6.40	2.70	3.50	8370	6300	4140	14220	10710	7020
3MM9317WI	5.30	8.60	3.60	4.80	7740	5850	3870	13140	9990	6570
3MM9318WI	5.90	9.40	3.90	5.20	7380	5580	3690	12510	9450	6300
3MM9319WI	6.10	9.70	4.10	5.40	7020	5310	3510	11970	9000	5940
3MM9320WI	7.50	12.00	5.00	6.70	6570	4950	3240	11160	8460	5490
3MM9322WI	8.10	13.00	5.40	7.30	6030	4500	3060	10260	7650	5220
3MM9324WI	11.10	17.80	7.40	9.90	5580	4140	2790	9450	7020	4770
3MM9326WI	14.60	23.30	9.70	13.00	5130	3870	2520	8730	6570	4320
3MM9328WI	15.50	24.80	10.40	13.80	4770	3600	2340	8100	6120	3960
3MM9330WI	24.80	39.70	16.60	22.10	4500	3330	2250	7650	5670	3870
3MM9332WI	26.20	41.90	17.50	23.30	4140	3150	2070	7110	5310	3510
3MM9334WI	28.20	45.20	18.90	25.10	3960	2970	1980	6750	5040	3330
3MM9340WI	56.80	90.90	37.90	50.60	3330	2520	1620	5670	4230	2790

⁽¹⁾ Fill weights based on specific gravity of 0.99.

⁽²⁾ Low speed <500000 dN.

⁽³⁾ High speed ≥ 500000 dN.

⁽⁴⁾ For ceramic ball complements, use 120 percent of speeds shown.

⁽⁵⁾ For other mounting arrangement configurations, refer to the engineering section on permissible speed calculation methods.

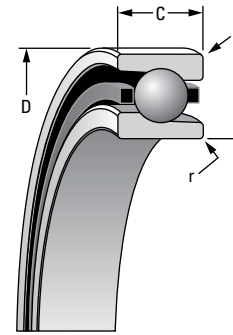


ULTRA-LIGHT ISO 19 SERIES
2(3)MMV9300HX

SUPER PRECISION MM

Running accuracy and performance meet ABEC 9 (ISO P2) levels.

Other features conform to ABEC 7 (ISO P4) requirements.



Bearing Number 2MM or 3MM	d Bore	D O.D.	C Width ⁽¹⁾	Ball Qty. x Dia.	Bearing Wt.	(2MM) LOAD RATINGS						(3MM) LOAD RATINGS					
						Steel Ball			Ceramic Ball			Steel Ball			Ceramic Ball		
						C ₀ Static	C _e Dynamic	Speed Rating ^(N_g)	C ₀ Static	C _e Dynamic	Speed Rating ^(N_g)	C ₀ Static	C _e Dynamic	Speed Rating ^(N_g)	C ₀ Static	C _e Dynamic	Speed Rating ^(N_g)
mm/in.		mm/in.	kg/lbs.	N/lbs.		RPM	N/lbs.		RPM	N/lbs.		RPM	N/lbs.		RPM		
9300HX	10	22	6	13 x 2.4	0.010	534	1468	91700	489	1468	110040	534	1379	82500	489	1379	99000
	0.3937	0.8661	0.2362	13 x 3/32	0.02	120	330	91700	110	330	110040	120	310	82500	110	310	99000
9301HX	12	24	6	14 x 2.4	0.010	610	1500	80000	540	1500	96000	580	1420	72000	520	1420	86400
	0.4724	0.9449	0.2362	14 x 3/32	0.03	140	340	80000	120	340	96000	130	320	72000	120	320	86400
9302HX	15	28	7	16 x 2.8	0.020	979	2091	66800	890	2091	80160	890	2046	60100	801	2046	72120
	0.5906	1.1024	0.2756	16 x 7/64	0.04	220	470	66800	200	470	80160	200	460	60100	180	460	72120
9303HX	17	30	7	17 x 2.8	0.020	1023	2224	60400	934	2224	72480	979	2091	54400	890	2091	65280
	0.6693	1.1811	0.2756	17 x 7/64	0.04	230	500	60400	210	500	72480	220	470	54400	200	470	65280
9304HX	20	37	9	17 x 3.6	0.040	1690	3514	50200	1512	3514	60240	1601	3336	45200	1423	3336	54240
	0.7874	1.4567	0.3543	17 x 9/64	0.08	380	790	50200	340	790	60240	360	750	45200	320	750	54240
9305HX	25	42	9	20 x 3.6	0.040	2020	3460	41800	1800	3460	50160	1913	3603	37600	1735	3603	45120
	0.9843	1.6535	0.3543	20 x 9/64	0.10	450	780	41800	400	780	50160	430	810	37600	390	810	45120
9306HX	30	47	9	23 x 3.6	0.050	2402	4048	35900	2135	4048	43080	2224	3825	32300	1957	3825	38760
	1.1811	1.8504	0.3543	23 x 9/64	0.11	540	910	35900	480	910	43080	500	860	32300	440	860	38760
9307HX	35	55	10	25 x 4.0	0.080	3158	5115	30500	2847	5115	36600	2980	4804	27500	2624	4804	33000
	1.3780	2.1654	0.3937	25 x 5/32	0.18	710	1150	30500	640	1150	36600	670	1080	27500	590	1080	33000
9308HX	40	62	12	19 x 6.4	0.110	6005	10675	28000	5338	10675	33600	5693	10097	25200	5071	10097	30240
	1.5748	2.4409	0.4724	19 x 1/4	0.25	1350	2400	28000	1200	2400	33600	1280	2270	25200	1140	2270	30240
9309HX	45	68	12	21 x 6.4	0.130	6716	11164	25000	6005	11164	30000	6405	10586	22500	5693	10586	27000
	1.7717	2.6772	0.4724	21 x 1/4	0.29	1510	2510	25000	1350	2510	30000	1440	2380	22500	1280	2380	27000
9310HX	50	72	12	23 x 6.4	0.140	7473	11698	22900	6672	11698	27480	7072	11031	20600	6405	11031	24720
	1.9685	2.8346	0.4724	23 x 1/4	0.30	1680	2630	22900	1500	2630	27480	1590	2480	20600	1440	2480	24720
9311HX	55	80	13	23 x 7.1	0.190	9430	14500	20700	8407	14500	24840	8896	13700	18600	7917	13700	22320
	2.1654	3.1496	0.5118	23 x 9/32	0.39	2120	3260	20700	1890	3260	24840	2000	3080	18600	1780	3080	22320
9312HX	60	85	13	25 x 7.1	0.200	10319	15123	19200	9207	15123	23040	9697	14278	17300	8629	14278	20760
	2.3622	3.3465	0.5118	25 x 9/32	0.43	2320	3400	19200	2070	3400	23040	2180	3210	17300	1940	3210	20760
9313HX	65	90	13	27 x 7.1	0.220	11164	15701	17800	9919	15701	21360	10400	14800	16000	9250	14800	19200
	2.5591	3.5433	0.5118	27 x 9/32	0.45	2510	3530	17800	2230	3530	21360	2340	3320	16000	2080	3320	19200
9314HX	70	100	16	24 x 8.7	0.340	14767	21306	16400	13166	21306	19680	13922	20105	14800	12365	20105	17760
	2.7559	3.9370	0.6299	24 x 11/32	0.75	3320	4790	16400	2960	4790	19680	3130	4520	14800	2780	4520	17760
9315HX	75	105	16	25 x 8.7	0.360	14300	15100	15400	12700	15100	18480	14500	20416	13900	12899	20416	16680
	2.9528	4.1339	0.6299	25 x 11/32	0.80	3210	3400	15400	2860	3400	18480	3260	4590	13900	2900	4590	16680
9316HX	80	110	16	27 x 8.7	0.390	16680	22507	14500	14856	22507	17400	15568	21217	13100	13833	21217	15720
	3.1496	4.3307	0.6299	27 x 11/32	0.80	3750	5060	14500	3340	5060	17400	3500	4770	13100	3110	4770	15720
9317HX	85	120	18	26 x 9.5	0.560	19171	25754	13500	17036	25754	16200	17836	24242	12200	15879	24242	14640
	3.3465	4.7244	0.7087	26 x 3/8	1.16	4310	5790	13500	3830	5790	16200	4010	5450	12200	3570	5450	14640
9318HX	90	125	18	26 x 10.3	0.570	22462	29935	12900	19972	29935	15480	20995	28200	11600	18682	28200	13920
	3.5433	4.9213	0.7087	26 x 13/32	1.20	5050	6730	12900	4490	6730	15480	4720	6340	11600	4200	6340	13920

^(N_g) For a single, grease-lubricated, spring-preloaded bearing. This value to be used in permissible operating speed (Sp) calculation.

⁽¹⁾ Width tolerance of preloaded bearing set +0.000/-0.254 mm (+0.0000/-0.0100 in.).

⁽²⁾ ABMA STD 20 (r_{as} max).

WN CONSTRUCTION

- Incorporates low shoulder on non-thrust side of both inner and outer rings.
- Balls separated by one-piece cage piloted against a ground thrust shoulder land of the outer ring.

HIGH-SPEED SEAL OPTION

Available with non-contact seals. Add VV suffix to part number (in place of CR cage designation). Ex: 2MMV9106HXVV SUL.

r Rad. ⁽²⁾	Suggested Shoulder Diameters				Shaft Diameter		Mounting Fits		FIXED				FLOATING			
	Shaft		Housing		Max.	Min.	Loose	Tight	Housing Bore (Stationary)		Mounting Fits		Housing Bore (Stationary)		Mounting Fits	
	Max.	Min.	Max.	Min.					Max.	Min.	Tight	Loose	Max.	Min.	Loose	Loose
mm/in.	mm/in.		mm/in.		mm/in.		mm/in.		mm/in.		mm/in.		mm/in.		mm/in.	
0.3	13.2	13.0	19.6	19.3	10.000	9.995	0.005	0.004	22.005	22.000	0.000	0.010	22.010	22.005	0.015	0.005
0.012	0.52	0.51	0.77	0.76	0.39370	0.39350	0.00020	0.00015	0.86630	0.86610	0.00000	0.00040	0.86650	0.86630	0.00060	0.00020
0.3	15.2	14.9	21.6	21.3	12.000	11.995	0.005	0.004	24.005	24.000	0.000	0.010	24.010	24.005	0.015	0.005
0.012	0.60	0.59	0.85	0.84	0.47240	0.47220	0.00020	0.00015	0.94510	0.94490	0.00000	0.00040	0.94530	0.94510	0.00060	0.00020
0.3	18.3	18.1	25.5	25.2	15.000	14.995	0.005	0.004	28.005	28.000	0.000	0.010	28.010	28.005	0.015	0.005
0.012	0.72	0.71	1.00	0.99	0.59060	0.59040	0.00020	0.00015	1.02380	1.02360	0.00000	0.00040	1.02400	1.02380	0.00060	0.00020
0.3	20.3	20.0	27.5	27.2	17.000	16.995	0.005	0.004	30.005	30.000	0.000	0.010	30.010	30.005	0.015	0.005
0.012	0.80	0.79	1.08	1.07	0.66930	0.66910	0.00020	0.00015	1.18130	1.18110	0.00000	0.00040	1.18150	1.18130	0.00060	0.00020
0.3	24.1	23.9	33.7	33.4	20.000	19.995	0.005	0.005	37.006	37.000	0.000	0.012	37.010	37.005	0.016	0.005
0.012	0.95	0.94	1.33	1.32	0.78740	0.78720	0.00020	0.00020	1.45700	1.45670	0.00000	0.00050	1.45710	1.45690	0.00070	0.00020
0.3	29.1	28.9	38.7	38.4	25.000	24.995	0.005	0.005	42.006	42.000	0.000	0.012	42.010	42.005	0.016	0.005
0.012	1.15	1.14	1.52	1.51	0.98430	0.98410	0.00020	0.00020	1.65380	1.65350	0.00000	0.00050	1.65390	1.65370	0.00070	0.00020
0.3	34.1	33.9	43.7	43.4	30.000	29.995	0.005	0.005	47.006	47.000	0.000	0.012	47.012	47.007	0.018	0.007
0.012	1.34	1.33	1.72	1.71	1.18110	1.18090	0.00020	0.00020	1.85070	1.85040	0.00000	0.00050	1.85090	1.85070	0.00080	0.00030
0.6	40.0	39.5	51.1	50.6	35.000	34.995	0.005	0.006	55.008	55.000	0.000	0.015	55.012	55.007	0.019	0.007
0.024	1.57	1.55	2.01	1.99	1.37800	1.37780	0.00020	0.00025	2.16570	2.16540	0.00000	0.00060	2.16590	2.16570	0.00080	0.00030
0.6	45.1	44.6	57.9	57.4	40.000	39.995	0.005	0.006	62.008	62.000	0.000	0.015	62.012	62.007	0.019	0.007
0.024	1.78	1.76	2.28	2.26	1.57480	1.57460	0.00020	0.00025	2.44120	2.44090	0.00000	0.00060	2.44140	2.44120	0.00080	0.00030
0.6	50.7	50.1	63.4	62.9	45.000	44.995	0.005	0.006	68.008	68.000	0.000	0.015	68.012	68.007	0.019	0.007
0.024	1.99	1.97	2.50	2.48	1.77170	1.77150	0.00020	0.00025	2.67750	2.67720	0.00000	0.00060	2.67770	2.67750	0.00080	0.00030
0.6	55.1	54.6	67.9	67.4	50.000	49.995	0.005	0.006	72.008	72.000	0.000	0.015	72.011	72.007	0.019	0.007
0.024	2.17	2.15	2.67	2.65	1.96850	1.96830	0.00020	0.00025	2.83490	2.83460	0.00000	0.00060	2.83510	2.83490	0.00080	0.00030
1.0	60.9	60.4	75.2	74.7	55.000	54.995	0.005	0.007	80.008	80.000	0.000	0.016	80.012	80.008	0.020	0.008
0.039	2.40	2.38	2.96	2.94	2.16540	2.16520	0.00020	0.00030	3.14990	3.14960	0.00000	0.00060	3.15010	3.14990	0.00080	0.00030
1.0	65.8	65.3	80.2	79.7	60.000	59.995	0.005	0.007	85.008	85.000	0.000	0.016	85.016	85.009	0.024	0.009
0.039	2.59	2.57	3.16	3.14	2.36220	2.36200	0.00020	0.00030	3.34680	3.34650	0.00000	0.00060	3.34710	3.34680	0.00090	0.00030
1.0	70.8	70.3	85.2	84.7	65.000	64.995	0.005	0.007	90.008	90.000	0.000	0.016	90.015	90.007	0.023	0.007
0.039	2.79	2.77	3.35	3.33	2.55910	2.55890	0.00020	0.00030	3.54360	3.54330	0.00000	0.00060	3.54390	3.54360	0.00090	0.00030
1.0	76.8	76.3	94.3	93.8	70.000	69.995	0.005	0.007	100.008	100.000	0.000	0.016	100.018	100.010	0.025	0.010
0.039	3.02	3.00	3.71	3.69	2.75590	2.75570	0.00020	0.00030	3.93730	3.93700	0.00000	0.00060	3.93770	3.93740	0.00100	0.00040
1.0	81.9	81.1	99.4	98.6	75.005	74.995	0.005	0.012	105.008	105.000	0.000	0.016	105.019	105.011	0.026	0.011
0.039	3.22	3.19	3.91	3.88	2.95300	2.95260	0.00020	0.00050	4.13420	4.13390	0.00000	0.00060	4.13460	4.13430	0.00100	0.00040
1.0	86.9	86.1	104.4	103.6	80.005	79.995	0.005	0.012	110.008	110.000	0.000	0.016	110.018	110.010	0.025	0.010
0.039	3.42	3.39	4.11	4.08	3.14980	3.14940	0.00020	0.00050	4.33100	4.33070	0.00000	0.00060	4.33140	4.33110	0.00100	0.00040
1.0	93.6	92.8	112.7	111.9	85.005	84.995	0.005	0.012	120.008	120.000	0.000	0.016	120.018	120.010	0.025	0.010
0.039	3.69	3.66	4.44	4.41	3.34670	3.34630	0.00020	0.00050	4.72470	4.72440	0.00000	0.00060	4.72510	4.72480	0.00100	0.00040
1.0	97.8	97.0	118.5	117.7	90.005	89.995	0.005	0.013	125.008	125.000	0.000	0.017	125.021	125.011	0.030	0.011
0.039	3.85	3.82	4.66	4.63	3.54350	3.54310	0.00020	0.00050	4.92160	4.92130	0.00000	0.00070	4.92210	4.92170	0.00120	0.00040

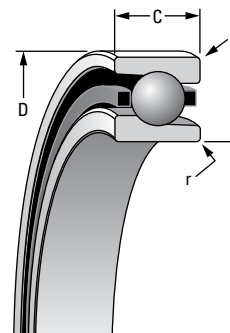
Continued on next page.



ULTRA-LIGHT ISO 19 SERIES
2(3)MMV9300HX – continued

SUPER PRECISION MM

Running accuracy and performance meet ABEC 9 (ISO P2) levels.
 Other features conform to ABEC 7 (ISO P4) requirements.



Bearing Number 2MM or 3MM	d Bore	D O.D.	C Width ⁽¹⁾	Ball Qty. x Dia.	Bearing Wt.	(2MM) LOAD RATINGS						(3MM) LOAD RATINGS					
						Steel Ball			Ceramic Ball			Steel Ball			Ceramic Ball		
						C ₀ Static	C _e Dynamic	Speed Rating ^(N_g)	C ₀ Static	C _e Dynamic	Speed Rating ^(N_g)	C ₀ Static	C _e Dynamic	Speed Rating ^(N_g)	C ₀ Static	C _e Dynamic	Speed Rating ^(N_g)
	mm/in.		mm/in.	mm/in.	kg/lbs.	N/lbs.		RPM	N/lbs.		RPM	N/lbs.		RPM	N/lbs.		RPM
9319HX	95 3.7402	130 5.1181	18 0.7087	28 x 10.3 28 x 13/32	0.600 1.26	24197 5440	31136 7000	12300 12300	21528 4840	31136 7000	14760 14760	22507 5060	29312 6590	10300 10300	20060 4510	29312 6590	12360 12360
9320HX	100 3.9370	140 5.5118	20 0.7874	29 x 10.3 29 x 13/32	0.850 1.80	24864 5590	31403 7060	11400 11400	22151 4980	31403 7060	13680 13680	23174 5210	29535 6640	9900 10000	20639 4640	29535 6640	11800 12000
9322HX	110 4.3307	150 5.9055	20 0.7874	31 x 10.3 31 x 13/32	0.920 1.92	26377 5930	32204 7240	10500 10500	23485 5280	32204 7240	12600 12600	24597 5530	30291 6810	9500 9500	21884 4920	30291 6810	11400 11400
9324HX	120 4.7244	165 6.4961	22 0.8661	30 x 11.9 30 x 15/32	1.240 2.60	34161 7680	41277 9280	9600 9600	30424 6840	41277 9280	11520 11520	31803 7150	38831 8730	8600 8600	28334 6370	38831 8730	10320 10320
9326HX	130 5.1181	180 7.0866	24 0.9449	30 x 13.5 30 x 17/32	1.650 3.63	44035 9900	52042 11700	8900 8900	39187 8810	52042 11700	10680 10680	41055 9230	48928 11000	8000 8000	36518 8210	48928 11000	9600 9600
9328HX	140 5.5118	190 7.4803	24 0.9449	32 x 13.5 32 x 17/32	1.750 3.85	46704 10500	53821 12100	8300 8300	41544 9340	53821 12100	9960 9960	43501 9780	50707 11400	7500 7500	38742 8710	50707 11400	9000 9000
9330HX	150 5.9055	210 8.2677	28 1.1024	27 x 17.5 27 x 11/16	2.610 5.75	66720 15000	79174 17800	7700 7700	59603 13400	79174 17800	9240 9240	62717 14100	74726 16800	6900 6900	55600 12500	74726 16800	8280 8200

^(N_g) For a single, grease-lubricated, spring-preloaded bearing. This value to be used in permissible operating speed (Sp) calculation.

⁽¹⁾ Width tolerance of preloaded bearing set +0.000/-0.254 mm (+0.0000/-0.0100 in.).

⁽²⁾ ABMA STD 20 (ras max).

WN CONSTRUCTION

- Incorporates low shoulder on non-thrust side of both inner and outer rings.
- Balls separated by one-piece cage piloted against a ground thrust shoulder land of the outer ring.

HIGH-SPEED SEAL OPTION

Available with non-contact seals. Add VV suffix to part number (in place of CR cage designation). Ex: 2MMV9106HXVV SUL.

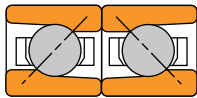
r Rad. ⁽²⁾	Suggested Shoulder Diameters				Shaft Diameter		Mounting Fits		FIXED				FLOATING			
	Shaft		Housing		Max.	Min.	Loose	Tight	Housing Bore (Stationary)		Mounting Fits		Housing Bore (Stationary)		Mounting Fits	
	Max.	Min.	Max.	Min.					Max.	Min.	Tight	Loose	Max.	Min.	Loose	Loose
mm/in.	mm/in.		mm/in.		mm/in.		mm/in.		mm/in.		mm/in.		mm/in.		mm/in.	
1.0 0.039	102.8 4.05	102.0 4.02	123.5 4.86	122.7 4.83	95.005 3.74040	94.995 3.74000	0.005 0.00020	0.013 0.00050	130.009 5.11850	130.000 5.11810	0.000 0.00000	0.018 0.00070	130.020 5.11890	130.010 5.11850	0.029 0.00110	0.010 0.00040
1.0 0.039	110.3 4.34	109.5 4.31	131.0 5.16	130.2 5.13	100.005 3.93720	99.995 3.93680	0.005 0.00020	0.013 0.00050	140.009 5.51220	140.000 5.51180	0.000 0.00000	0.018 0.00070	140.020 5.51260	140.010 5.51220	0.029 0.00110	0.010 0.00040
1.0 0.039	120.3 4.74	119.5 4.71	141.0 5.55	140.2 5.52	110.005 4.33090	109.995 4.33050	0.005 0.00020	0.013 0.00050	150.009 5.90590	150.000 5.90550	0.000 0.00000	0.018 0.00070	150.023 5.90640	150.012 5.90600	0.032 0.00120	0.012 0.00050
1.0 0.039	131.2 5.16	130.4 5.13	155.0 6.10	154.3 6.07	120.005 4.72460	119.995 4.72420	0.005 0.00020	0.013 0.00050	165.010 6.49650	165.000 6.49610	0.000 0.00000	0.020 0.00080	165.022 6.49700	165.012 6.49660	0.032 0.00130	0.012 0.00050
1.5 0.059	142.1 5.60	141.4 5.57	169.2 6.66	168.4 6.63	130.005 5.11830	129.995 5.11790	0.005 0.00020	0.015 0.00060	180.010 7.08700	180.000 7.08660	0.000 0.00000	0.020 0.00080	180.022 7.08750	180.012 7.08710	0.032 0.00130	0.012 0.00050
1.5 0.059	152.1 5.99	151.4 5.96	179.2 7.05	178.4 7.02	140.005 5.51200	139.995 5.51160	0.005 0.00020	0.015 0.00060	190.010 7.48070	190.000 7.48030	0.000 0.00000	0.021 0.00080	190.022 7.48120	190.012 7.48080	0.033 0.00140	0.012 0.00050
2.0 0.079	163.1 6.42	162.4 6.39	198.2 7.80	197.4 7.77	150.005 5.90570	149.995 5.90530	0.005 0.00020	0.015 0.00060	210.011 8.26820	210.000 8.26770	0.000 0.00000	0.022 0.00090	210.025 8.26870	210.015 8.26830	0.036 0.00150	0.015 0.00060



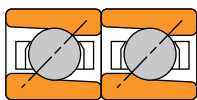
**ULTRA-LIGHT
2MMV9300HX
ISO 19 SERIES**

**DUPLEX
PERFORMANCE DATA**

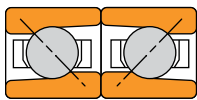
MOUNTING ARRANGEMENTS



**Back-to-Back
DB**



**Tandem
DT**



**Face-to-Face
DF**

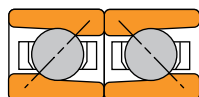
Bearing Number	Preload			Axial Stiffness ⁽¹⁾			Radial Stiffness ⁽¹⁾			Spacer Offsets ⁽¹⁾	
	DUL Light	DUM Medium	DUH Heavy	Light	Medium	Heavy	Light	Medium	Heavy	Light to Med.	Med. to Heavy
	N lbs.			N/μm 10 ⁶ lbs./in.			N/μm 10 ⁶ lbs./in.			μm in.	
2MMV9300HX	9	25	55	10.20	15.60	21.00	61.00	88.50	110.80	5.60	5.60
	2	6	12	0.058	0.089	0.120	0.349	0.506	0.634	0.00022	0.00022
2MMV9301HX	9	25	55	10.70	16.70	22.80	61.30	88.20	110.20	5.10	5.60
	2	6	12	0.061	0.096	0.130	0.351	0.504	0.630	0.00020	0.00022
2MMV9302HX	20	45	85	17.00	22.70	31.00	96.40	120.90	150.90	4.60	6.60
	5	10	20	0.097	0.130	0.177	0.551	0.691	0.863	0.00018	0.00026
2MMV9303HX	20	45	85	16.90	22.30	30.00	100.90	127.10	159.10	4.60	6.60
	5	10	20	0.097	0.128	0.172	0.577	0.727	0.910	0.00018	0.00026
2MMV9304HX	20	65	135	18.20	28.50	38.70	109.60	157.90	197.30	7.60	8.10
	5	15	30	0.104	0.163	0.221	0.627	0.903	1.128	0.00030	0.00032
2MMV9305HX	20	65	135	20.20	31.30	42.30	122.00	176.30	220.50	7.10	7.10
	5	15	30	0.115	0.179	0.242	0.698	1.008	1.261	0.00028	0.00028
2MMV9306HX	20	65	135	22.00	33.90	45.70	133.70	193.60	242.60	6.10	6.60
	5	15	30	0.126	0.194	0.261	0.764	1.107	1.387	0.00024	0.00026
2MMV9307HX	45	110	225	30.80	44.60	60.50	185.70	251.70	314.60	7.10	8.60
	10	25	50	0.176	0.255	0.346	1.062	1.439	1.799	0.00028	0.00034
2MMV9308HX	45	135	265	29.50	45.10	60.10	177.90	259.60	325.70	9.70	10.20
	10	30	60	0.169	0.258	0.344	1.017	1.484	1.862	0.00038	0.00040
2MMV9309HX	45	155	310	31.50	50.90	68.00	189.40	292.10	366.40	10.70	10.70
	10	35	70	0.180	0.291	0.389	1.083	1.670	2.095	0.00042	0.00042
2MMV9310HX	65	175	355	38.70	56.70	75.90	232.60	324.60	407.00	9.10	10.70
	15	40	80	0.221	0.324	0.434	1.330	1.856	2.327	0.00036	0.00042
2MMV9311HX	65	200	400	39.50	60.30	80.50	241.20	352.20	442.00	10.70	11.20
	15	45	90	0.226	0.345	0.460	1.379	2.014	2.527	0.00042	0.00044
2MMV9312HX	65	225	445	41.70	66.20	88.30	254.10	385.70	483.90	11.70	11.70
	15	50	100	0.238	0.378	0.505	1.453	2.205	2.767	0.00046	0.00046
2MMV9313HX	65	225	445	43.70	69.30	92.30	266.70	406.10	509.80	11.20	11.20
	15	50	100	0.250	0.396	0.528	1.525	2.322	2.915	0.00044	0.00044
2MMV9314HX	110	335	665	51.00	78.10	104.50	316.60	461.20	578.40	13.70	14.70
	25	75	150	0.292	0.447	0.598	1.810	2.637	3.307	0.00054	0.00058
2MMV9315HX	110	335	665	52.30	80.00	107.00	325.00	474.00	594.70	13.20	14.20
	25	75	150	0.299	0.458	0.612	1.858	2.710	3.400	0.00052	0.00056
2MMV9316HX	110	335	665	54.90	83.80	111.80	341.20	499.00	626.50	12.70	13.70
	25	75	150	0.314	0.479	0.639	1.951	2.853	3.582	0.00050	0.00054
2MMV9317HX	135	400	800	62.20	94.50	125.50	390.60	575.90	724.30	13.70	14.70
	30	90	180	0.334	0.510	0.682	2.088	3.048	3.826	0.00056	0.00060
2MMV9318HX	135	400	800	59.40	90.40	120.20	373.10	548.10	688.90	14.20	15.20
	30	90	180	0.340	0.517	0.687	2.133	3.134	3.939	0.00056	0.00060
2MMV9319HX	135	400	800	62.20	94.50	125.50	390.60	575.90	724.30	13.70	14.70
	30	90	180	0.356	0.540	0.717	2.233	3.293	4.141	0.00054	0.00058
2MMV9320HX	155	490	975	67.40	104.60	139.50	423.40	630.50	791.80	15.20	15.70
	35	110	220	0.385	0.598	0.798	2.421	3.605	4.527	0.00060	0.00062
2MMV9322HX	175	535	1065	73.80	112.70	150.40	464.00	678.60	851.90	15.20	16.30
	40	120	240	0.422	0.644	0.860	2.653	3.880	4.871	0.00060	0.00064
2MMV9324HX	225	665	1335	80.90	123.40	164.70	513.70	752.10	944.30	17.30	18.30
	50	150	300	0.462	0.706	0.942	2.937	4.300	5.399	0.00068	0.00072
2MMV9326HX	245	735	1465	87.90	133.40	177.00	545.90	805.20	1012.70	17.80	18.80
	55	165	330	0.503	0.763	1.012	3.121	4.604	5.790	0.00070	0.00074
2MMV9328HX	265	800	1600	94.60	143.60	190.60	587.50	865.40	1088.20	17.80	19.30
	60	180	360	0.541	0.821	1.090	3.359	4.948	6.222	0.00070	0.00076
2MMV9330HX	355	1065	2135	99.60	151.10	200.60	630.00	930.80	1170.80	22.40	24.40
	80	240	480	0.569	0.864	1.147	3.602	5.322	6.694	0.00088	0.00096

⁽¹⁾ For DB or DF arrangements only. For other mounting arrangements, contact your Timken representative.

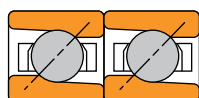
**ULTRA-LIGHT
3MMV9300HX
ISO 19 SERIES**

**DUPLEX
PERFORMANCE DATA**

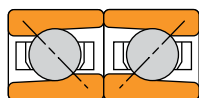
MOUNTING ARRANGEMENTS



**Back-to-Back
DB**



**Tandem
DT**



**Face-to-Face
DF**

Bearing Number	Preload			Axial Stiffness ⁽¹⁾			Radial Stiffness ⁽¹⁾			Spacer Offsets ⁽¹⁾	
	DUL Light	DUM Medium	DUH Heavy	Light	Medium	Heavy	Light	Medium	Heavy	Light to Med.	Med. to Heavy
	N lbs.			N/μm 10 ⁶ lbs./in.			N/μm 10 ⁶ lbs./in.			μm in.	
3MMV9300HX	22	45	90	28.53	36.82	48.06	60.22	75.61	94.48	2.79	4.06
	5	10	20	0.163	0.211	0.275	0.344	0.432	0.540	0.00011	0.00016
3MMV9301HX	22	45	90	29.93	38.58	50.28	63.30	79.51	99.41	2.54	4.06
	5	10	20	0.171	0.221	0.288	0.362	0.455	0.568	0.00010	0.00016
3MMV9302HX	22	65	135	34.07	50.72	66.06	72.78	104.78	131.04	4.06	4.57
	5	15	30	0.195	0.290	0.378	0.416	0.599	0.749	0.00016	0.00018
3MMV9303HX	22	65	135	35.45	52.71	68.60	75.75	109.14	136.54	4.06	4.32
	5	15	30	0.203	0.301	0.392	0.433	0.624	0.781	0.00016	0.00017
3MMV9304HX	45	110	225	48.76	67.98	88.46	103.86	140.69	175.95	4.57	5.59
	10	25	50	0.279	0.389	0.506	0.594	0.804	1.006	0.00018	0.00022
3MMV9305HX	45	110	225	54.17	75.33	97.75	115.68	156.99	196.59	4.06	5.08
	10	25	50	0.310	0.431	0.559	0.661	0.898	1.124	0.00016	0.00020
3MMV9306HX	45	110	225	59.33	82.33	106.58	126.87	172.47	216.18	3.56	4.57
	10	25	50	0.339	0.471	0.609	0.725	0.986	1.236	0.00014	0.00018
3MMV9307HX	65	175	355	74.51	106.06	137.72	159.18	220.72	276.34	5.08	5.59
	15	40	80	0.426	0.606	0.787	0.910	1.262	1.580	0.00020	0.00022
3MMV9308HX	65	225	445	70.62	108.04	139.41	154.45	233.67	293.31	7.11	7.11
	15	50	100	0.404	0.618	0.797	0.883	1.336	1.677	0.00028	0.00028
3MMV9309HX	90	245	490	83.32	119.21	153.84	182.60	257.80	323.74	6.10	7.11
	20	55	110	0.476	0.682	0.880	1.044	1.474	1.851	0.00024	0.00028
3MMV9310HX	90	265	535	88.43	130.41	168.25	193.61	282.11	354.17	6.60	7.11
	20	60	120	0.506	0.746	0.962	1.107	1.613	2.025	0.00026	0.00028
3MMV9311HX	110	335	665	99.24	146.29	188.72	216.70	315.69	396.50	7.11	8.13
	25	75	150	0.567	0.836	1.079	1.239	1.805	2.267	0.00028	0.00032
3MMV9312HX	110	335	665	104.80	154.33	198.86	228.59	333.88	419.41	6.60	7.62
	25	75	150	0.599	0.882	1.137	1.307	1.909	2.398	0.00026	0.00030
3MMV9313HX	110	335	665	110.22	162.15	208.66	239.96	351.37	441.80	6.60	7.11
	25	75	150	0.630	0.927	1.193	1.372	2.009	2.526	0.00026	0.00028
3MMV9314HX	155	490	980	122.31	183.12	235.94	265.50	394.05	495.14	8.64	9.14
	35	110	220	0.699	1.047	1.349	1.518	2.253	2.831	0.00034	0.00036
3MMV9315HX	155	490	980	125.63	187.84	242.06	272.49	404.89	508.96	8.64	9.14
	35	110	220	0.718	1.074	1.384	1.558	2.315	2.910	0.00034	0.00036
3MMV9316HX	155	490	980	132.14	197.46	254.13	285.96	426.23	536.07	8.13	8.64
	35	110	220	0.756	1.129	1.453	1.635	2.437	3.065	0.00032	0.00034
3MMV9317HX	200	625	1245	155.70	231.57	297.33	334.58	499.86	629.12	8.64	9.14
	45	140	280	0.826	1.232	1.588	1.792	2.651	3.331	0.00036	0.00040
3MMV9318HX	200	625	1245	148.32	220.72	283.69	319.72	475.73	598.51	9.14	9.65
	45	140	280	0.848	1.262	1.622	1.828	2.720	3.422	0.00036	0.00038
3MMV9319HX	200	625	1245	155.70	231.57	297.33	334.58	499.86	629.12	8.64	9.14
	45	140	280	0.890	1.324	1.700	1.913	2.858	3.597	0.00034	0.00036
3MMV9320HX	245	735	1465	170.75	251.16	323.04	369.04	540.62	679.84	9.14	10.16
	55	165	330	0.976	1.436	1.847	2.110	3.091	3.887	0.00036	0.00040
3MMV9322HX	265	800	1600	183.82	270.40	348.05	397.55	581.89	731.61	9.14	10.16
	60	180	360	1.051	1.546	1.990	2.273	3.327	4.183	0.00036	0.00040
3MMV9324HX	310	935	1870	198.51	291.73	374.99	427.46	628.07	790.37	10.16	11.18
	70	210	420	1.135	1.668	2.144	2.444	3.591	4.519	0.00040	0.00044
3MMV9326HX	355	1065	2135	216.35	317.27	407.34	462.79	684.21	861.73	10.67	11.68
	80	240	480	1.237	1.814	2.329	2.646	3.912	4.927	0.00042	0.00046
3MMV9328HX	400	1200	2400	235.07	344.90	443.02	504.06	743.15	935.54	10.67	12.19
	90	270	540	1.344	1.972	2.533	2.882	4.249	5.349	0.00042	0.00048
3MMV9330HX	535	1600	3200	249.06	365.54	469.26	540.62	799.12	1006.55	13.72	15.24
	120	360	720	1.424	2.090	2.683	3.091	4.569	5.755	0.00054	0.00060

⁽¹⁾ For DB or DF arrangements only. For other mounting arrangements, contact your Timken representative.

**ULTRA-LIGHT 2MMV9300HX
ISO 19 SERIES**

SPEED CAPABILITY DATA

Bearing Number	Grease Capacity ⁽¹⁾				Operating Speeds ⁽⁴⁾ (DB Mounting) ⁽⁵⁾					
	Low Speed ⁽²⁾		High Speed ⁽³⁾		Grease			Oil		
	25%	40%	15%	20%	DUL	DUM	DUH	DUL	DUM	DUH
	grams		grams		RPM			RPM		
2MMV9300HX	0.11	0.18	0.06	0.09	73360	55020	36680	123795	93534	62310
2MMV9301HX	0.13	0.20	0.07	0.11	64000	48000	32000	108000	81600	54360
2MMV9302HX	0.20	0.33	0.12	0.17	53440	40080	26720	90180	68136	45391
2MMV9303HX	0.23	0.36	0.12	0.18	48320	36240	24160	81540	61608	41042
2MMV9304HX	0.48	0.71	0.25	0.39	40160	30120	20080	67770	51204	34111
2MMV9305HX	0.48	0.83	0.29	0.44	33440	25080	16720	56430	42636	28403
2MMV9306HX	0.60	0.95	0.34	0.51	28720	21540	14360	48465	36618	24394
2MMV9307HX	0.95	1.43	0.51	0.77	24400	18300	12200	41175	31110	20725
2MMV9308HX	1.43	2.26	0.80	1.22	22400	16800	11200	37800	28560	19026
2MMV9309HX	1.55	2.50	0.88	1.34	20000	15000	10000	33750	25500	16988
2MMV9310HX	1.67	2.74	0.95	1.44	18320	13740	9160	30915	23358	15561
2MMV9311HX	2.26	3.57	1.30	1.93	16560	12420	8280	27945	21114	14066
2MMV9312HX	2.38	3.81	1.40	2.05	15360	11520	7680	25920	19584	13046
2MMV9313HX	2.50	4.05	1.40	2.16	14240	10680	7120	24030	18156	12095
2MMV9314HX	4.29	6.79	2.40	3.64	13120	9840	6560	22140	16728	11144
2MMV9315HX	4.52	7.26	2.50	3.86	12320	9240	6160	20790	15708	10464
2MMV9316HX	4.76	7.62	2.70	3.98	11600	8700	5800	19575	14790	9853
2MMV9317HX	6.31	10.24	3.60	5.45	10800	8100	5400	18225	13770	9173
2MMV9318HX	7.02	11.19	3.90	5.91	10320	7740	5160	17415	13158	8766
2MMV9319HX	7.26	11.55	4.10	6.14	9840	7380	4920	16605	12546	8358
2MMV9320HX	8.93	14.29	5.00	7.61	9120	6840	4560	15390	11628	7746
2MMV9322HX	9.64	15.48	5.40	8.30	8,400	6300	4200	14175	10710	7135
2MMV9324HX	13.21	21.19	7.40	11.25	7680	5760	3840	12960	9792	6523
2MMV9326HX	17.38	27.74	9.70	14.77	7088	5316	3540	11960	9037	6020
2MMV9328HX	18.45	29.52	10.40	15.68	6616	4962	3300	11165	8435	5619
2MMV9330HX	29.52	47.26	16.60	25.11	6168	4626	3080	10410	7864	5239

⁽¹⁾ Fill weights based on specific gravity of 0.99.

⁽²⁾ Low speed <500000 dN.

⁽³⁾ High speed ≥ 500000 dN.

⁽⁴⁾ For ceramic ball complements, use 120 percent of speeds shown.

⁽⁵⁾ For other mounting arrangement configurations, refer to the engineering section on permissible speed calculation methods.

ULTRA-LIGHT 3MMV9300HX
ISO 19 SERIES

SPEED CAPABILITY DATA

Bearing Number	Grease Capacity ⁽¹⁾				Operating Speeds ⁽⁴⁾ (DB Mounting) ⁽⁵⁾					
	Low Speed ⁽²⁾		High Speed ⁽³⁾		Grease			Oil		
	25%	40%	15%	20%	DUL	DUM	DUH	DUL	DUM	DUH
	grams		grams		RPM			RPM		
3MMV9300HX	0.11	0.18	0.06	0.08	66080	49560	33040	111510	84250	56125
3MMV9301HX	0.13	0.20	0.07	0.10	57600	43200	28800	97200	73440	48900
3MMV9302HX	0.20	0.33	0.12	0.15	48080	36060	24040	81135	61300	40850
3MMV9303HX	0.23	0.36	0.12	0.16	43440	32580	21720	73305	55390	36900
3MMV9304HX	0.48	0.71	0.25	0.34	36160	27120	18080	61020	46100	30700
3MMV9305HX	0.48	0.83	0.29	0.39	30080	22560	15040	50760	38350	25550
3MMV9306HX	0.60	0.95	0.34	0.45	25840	19380	12920	43605	32950	21950
3MMV9307HX	0.95	1.43	0.51	0.69	22000	16500	11000	37125	28050	18690
3MMV9308HX	1.43	2.26	0.80	1.08	20160	15120	10080	34020	25700	17125
3MMV9309HX	1.55	2.50	0.88	1.19	18000	13500	9000	30375	22950	15290
3MMV9310HX	1.67	2.74	0.95	1.28	16480	12360	8240	27810	21000	14000
3MMV9311HX	2.26	3.57	1.30	1.72	14960	11220	7480	25245	19075	12700
3MMV9312HX	2.38	3.81	1.40	1.82	13760	10320	6880	23220	17500	11690
3MMV9313HX	2.50	4.05	1.40	1.92	12800	9600	6400	21600	16320	10875
3MMV9314HX	4.29	6.79	2.40	3.23	11840	8880	5920	19980	15100	10060
3MMV9315HX	4.52	7.26	2.50	3.43	11120	8340	5560	18765	14175	9450
3MMV9316HX	4.76	7.62	2.70	3.54	10480	7860	5240	17685	13360	8900
3MMV9317HX	6.31	10.24	3.60	4.85	9680	7260	4840	16335	12350	8225
3MMV9318HX	7.02	11.19	3.90	5.25	9280	6960	4640	15660	11825	7880
3MMV9319HX	7.26	11.55	4.10	5.45	8800	6600	4400	14850	11220	7475
3MMV9320HX	8.93	14.29	5.00	6.77	8240	6180	4120	13905	10500	7000
3MMV9322HX	9.64	15.48	5.40	7.37	7544	5658	3772	12731	9620	6400
3MMV9324HX	13.21	21.19	7.40	10.00	6912	5184	3456	11664	8810	5875
3MMV9326HX	17.38	27.74	9.70	13.13	6376	4782	3188	10760	8130	5415
3MMV9328HX	18.45	29.52	10.40	13.94	5960	4470	2980	10058	7600	5050
3MMV9330HX	29.52	47.26	16.60	22.32	5552	4164	2776	9369	7080	4710

⁽¹⁾ Fill weights based on specific gravity of 0.99.

⁽²⁾ Low speed <500000 dN.

⁽³⁾ High speed ≥ 500000 dN.

⁽⁴⁾ For ceramic ball complements, use 120 percent of speeds shown.

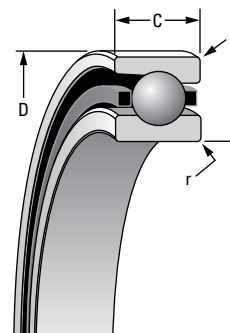
⁽⁵⁾ For other mounting arrangement configurations, refer to the engineering section on permissible speed calculation methods.



EXTRA-LIGHT ISO 10 SERIES
2(3)MM9100WI

SUPER PRECISION MM

Running accuracy and performance meet ABEC 9 (ISO P2) levels.
Other features conform to ABEC 7 (ISO P4) requirements.



Bearing Number 2MM or 3MM	d Bore	D O.D.	C Width ⁽¹⁾	Ball Qty. x Dia.	Bearing Wt.	(2MM) LOAD RATINGS						(3MM) LOAD RATINGS					
						Steel Ball			Ceramic Ball			Steel Ball			Ceramic Ball		
						C ₀ Static	C _e Dynamic	Speed Rating ^(N_g)	C ₀ Static	C _e Dynamic	Speed Rating ^(N_g)	C ₀ Static	C _e Dynamic	Speed Rating ^(N_g)	C ₀ Static	C _e Dynamic	Speed Rating ^(N_g)
mm/in.		mm/in.	kg/lbs.	N/lbs.		RPM	N/lbs.		RPM	N/lbs.		RPM	N/lbs.		RPM		
9100WI	10 0.3937	26 1.0236	8 0.3150	8 x 4.8 8 x 3/16	0.018 0.04	2200 490	5400 1210	68500 68500	1958 436	5400 1210	82200 82200	2100 480	5300 1190	61700 61700	1869 427	5300 1190	74040 74040
9101WI	12 0.4724	28 1.1024	8 0.3150	10 x 4.8 10 x 3/16	0.020 0.04	2900 650	6400 1430	57300 57300	2581 579	6400 1430	68760 68760	2800 630	6200 1390	51600 51600	2492 561	6200 1390	61920 61920
9102WI	15 0.5906	32 1.2598	9 0.3543	12 x 4.8 12 x 3/16	0.030 0.07	3600 820	7300 1630	48600 48600	3204 730	7300 1630	58320 58320	3530 790	7020 1580	43700 43700	3142 703	7020 1580	52440 52440
9103WI	17 0.6693	35 1.3780	10 0.3937	11 x 4.8 11 x 3/16	0.038 0.08	3400 770	6800 1530	43100 43100	3026 685	6800 1530	51720 51720	3300 750	6600 1480	38800 38800	2937 668	6600 1480	46560 46560
9104WI	20 0.7874	42 1.6535	12 0.4724	11 x 6.4 11 x 1/4	0.067 0.15	6000 1350	11600 2600	37100 37100	5340 1202	11600 2600	44520 44520	5700 1290	11100 2500	33400 33400	5073 1148	11100 2500	40080 40080
9105WI	25 0.9843	47 1.8504	12 0.4724	13 x 6.4 13 x 1/4	0.077 0.17	7400 1660	12900 2900	30900 30900	6586 1477	12900 2900	37080 37080	7100 1590	12300 2770	27800 27800	6319 1415	12300 2770	33360 33360
9106WI	30 1.1811	55 2.1654	13 0.5118	14 x 7.1 14 x 9/32	0.113 0.25	10300 2310	16800 3770	25500 25500	9167 2056	16800 3770	30600 30600	9900 2200	16000 3600	23000 23000	8811 1958	16000 3600	27600 27600
9107WI	35 1.3780	62 2.4409	14 0.5512	15 x 7.9 15 x 5/16	0.151 0.33	13700 3070	21200 4760	22600 22600	12193 2732	21200 4760	27120 27120	13000 2930	20200 4540	20300 20300	11570 2608	20200 4540	24360 24360
9108WI	40 1.5748	68 2.6772	15 0.5906	16 x 7.9 16 x 5/16	0.187 0.41	14900 3360	21900 4920	19900 19900	13261 2990	21900 4920	23880 23880	14200 3190	20800 4670	17900 17900	12638 2839	20800 4670	21480 21480
9109WI	45 1.7717	75 2.9528	16 0.6299	17 x 8.7 17 x 11/32	0.240 0.53	19300 4330	27000 6080	17900 17900	17177 3854	27000 6080	21480 21480	18300 4110	25600 5760	16100 16100	16287 3658	25600 5760	19320 19320
9110WI	50 1.9685	80 3.1496	16 0.6299	18 x 8.7 18 x 11/32	0.258 0.57	20800 4670	27900 6270	16300 16300	18512 4156	27900 6270	19560 19560	19700 4430	26300 5910	14700 14700	17533 3943	26300 5910	17640 17640
9111WI	55 2.1654	90 3.5433	18 0.7087	18 x 10.3 18 x 13/32	0.383 0.84	28600 6420	37800 8500	14700 14700	25454 5714	37800 8500	17640 17640	27200 6110	35900 8080	13200 13200	24208 5438	35900 8080	15840 15840
9112WI	60 2.3622	95 3.7402	18 0.7087	19 x 10.3 19 x 13/32	0.409 0.90	30500 6860	38800 8730	13600 13600	27145 6105	38800 8730	16320 16320	33200 7470	36900 8290	12200 12200	29548 6648	36900 8290	14640 14640
9113WI	65 2.5591	100 3.9370	18 0.7087	20 x 10.3 20 x 13/32	0.435 0.96	32600 7330	39800 8950	12700 12700	29014 6524	39800 8950	15240 15240	31000 6970	37700 8480	11400 11400	27590 6203	37700 8480	13680 13680
9114WI	70 2.7559	110 4.3307	20 0.7874	19 x 11.9 19 x 15/32	0.604 1.33	40700 9150	50300 11300	11700 11700	36223 8144	50300 11300	14040 14040	38800 8730	47600 10700	10500 10500	34532 7770	47600 10700	12600 12600
9115WI	75 2.9528	115 4.5276	20 0.7874	20 x 11.9 20 x 15/32	0.638 1.41	43500 9790	51600 11600	11000 11000	38715 8713	51600 11600	13200 13200	41200 9260	48900 11000	9900 9900	36668 8241	48900 11000	11880 11880
9116WI	80 3.1496	125 4.9213	22 0.8661	20 x 13.5 20 x 17/32	0.859 1.89	55200 12400	64900 14600	10300 10300	49128 11036	64900 14600	12360 12360	52500 11800	61400 13800	9300 9300	46725 10502	61400 13800	11160 11160
9117WI	85 3.3465	130 5.1181	22 0.8661	21 x 13.5 21 x 17/32	0.901 1.99	58700 13200	66700 15000	9700 9700	52243 11748	66700 15000	11640 11640	55600 12500	63200 14200	8700 8700	49484 11125	63200 14200	10440 10440
9118WI	90 3.5433	140 5.5118	24 0.9449	20 x 15.1 20 x 19/32	1.170 2.58	68900 15500	79600 17900	9200 9200	61321 13795	79600 17900	11040 11040	65800 14800	75200 16900	8300 8300	58562 13172	75200 16900	9960 9960
9119WI	95 3.7402	145 5.7087	24 0.9449	21 x 15.1 21 x 19/32	1.222 2.69	73400 16500	81400 18300	8700 8700	65326 14685	81400 18300	10440 10440	69400 15600	77400 17400	7800 7800	61766 13884	77400 17400	9360 9360
9120WI	100 3.9370	150 5.9055	24 0.9449	22 x 15.1 22 x 19/32	1.299 2.86	77400 17400	83600 18800	8300 8300	68886 15486	83600 18800	9960 9960	73400 16500	79200 17800	7500 7500	65326 14685	79200 17800	9000 9000

^(N_g) For a single, grease-lubricated, spring-preloaded bearing. This value to be used in permissible operating speed (Sp) calculation.

⁽¹⁾ Width tolerance of preloaded bearing set +0.000/-0.254 mm (+0.0000/-0.0100 in.).

⁽²⁾ ABMA STD 20 (r_{as} max).

WI CONSTRUCTION

- Incorporates low shoulder on non-thrust side of outer rings.
- Balls separated by one-piece cage piloted against a ground thrust shoulder land of the outer ring.

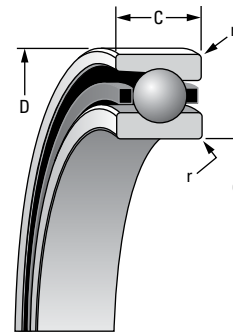
r Rad. ⁽²⁾	Suggested Shoulder Diameters				Shaft Diameter		Mounting Fits		FIXED				FLOATING			
	Shaft		Housing		Max.	Min.	Loose	Tight	Housing Bore (Stationary)		Mounting Fits		Housing Bore (Stationary)		Mounting Fits	
	Max.	Min.	Max.	Min.					Max.	Min.	Tight	Loose	Max.	Min.	Loose	Loose
mm/in.	mm/in.		mm/in.		mm/in.		mm/in.		mm/in.		mm/in.		mm/in.		mm/in.	
0.3	13.6	13.3	23.2	23.0	10.000	9.995	0.005	0.004	26.005	26.000	0.000	0.010	26.010	26.005	0.015	0.005
0.012	0.54	0.53	0.92	0.91	0.39370	0.39350	0.00020	0.00015	1.02380	1.02360	0.00000	0.00040	1.02400	1.02380	0.00060	0.00020
0.3	16.1	15.9	25.5	25.3	12.000	11.995	0.005	0.004	28.005	28.000	0.000	0.010	28.010	28.005	0.015	0.005
0.012	0.64	0.63	1.01	1.00	0.47240	0.47220	0.00020	0.00015	1.10260	1.10240	0.00000	0.00040	1.10280	1.10260	0.00060	0.00020
0.3	19.2	18.9	28.6	28.3	15.000	14.995	0.005	0.004	32.005	32.000	0.000	0.011	32.010	32.005	0.016	0.005
0.012	0.76	0.75	1.13	1.12	0.59060	0.59040	0.00020	0.00015	1.26000	1.25980	0.00000	0.00045	1.26020	1.26000	0.00070	0.00020
0.3	21.7	21.5	31.1	30.9	17.000	16.995	0.005	0.004	35.006	35.000	0.000	0.012	35.010	35.005	0.016	0.005
0.012	0.86	0.85	1.23	1.22	0.66930	0.66910	0.00020	0.00015	1.37830	1.37800	0.00000	0.00050	1.37840	1.37820	0.00070	0.00020
0.6	25.0	24.8	37.7	37.5	20.000	19.995	0.005	0.005	42.006	42.000	0.000	0.012	42.010	42.005	0.016	0.005
0.024	0.99	0.98	1.49	1.48	0.78740	0.78720	0.00020	0.00020	1.65380	1.65350	0.00000	0.00050	1.65390	1.65370	0.00070	0.00020
0.6	30.1	29.9	42.6	42.3	25.000	24.995	0.005	0.005	47.006	47.000	0.000	0.012	47.012	47.007	0.018	0.007
0.024	1.19	1.18	1.68	1.67	0.98430	0.98410	0.00020	0.00020	1.85070	1.85040	0.00000	0.00050	1.85090	1.85070	0.00080	0.00030
1.0	36.2	35.9	50.7	50.4	30.000	29.995	0.005	0.005	55.008	55.000	0.000	0.015	55.012	55.007	0.019	0.007
0.039	1.43	1.42	2.00	1.99	1.18110	1.18090	0.00020	0.00020	2.16570	2.16540	0.00000	0.00060	2.16590	2.16570	0.00080	0.00030
1.0	41.2	40.6	56.6	56.1	35.000	34.995	0.005	0.006	62.008	62.000	0.000	0.015	62.012	62.007	0.019	0.007
0.039	1.62	1.60	2.23	2.21	1.37800	1.37780	0.00020	0.00025	2.44120	2.44090	0.00000	0.00060	2.44140	2.44120	0.00080	0.00030
1.0	46.2	45.7	62.2	61.7	40.000	39.995	0.005	0.006	68.008	68.000	0.000	0.015	68.012	68.007	0.019	0.007
0.039	1.82	1.80	2.45	2.43	1.57480	1.57460	0.00020	0.00025	2.67750	2.67720	0.00000	0.00060	2.67770	2.67750	0.00080	0.00030
1.0	51.8	51.3	69.3	68.8	45.000	44.995	0.005	0.006	75.008	75.000	0.000	0.015	75.014	75.009	0.022	0.009
0.039	2.04	2.02	2.73	2.71	1.77170	1.77150	0.00020	0.00025	2.95310	2.95280	0.00000	0.00060	2.95330	2.95310	0.00080	0.00030
1.0	56.6	56.1	74.2	73.7	50.000	49.995	0.005	0.006	80.008	80.000	0.000	0.015	80.012	80.008	0.020	0.008
0.039	2.23	2.21	2.92	2.90	1.96850	1.96830	0.00020	0.00025	3.14990	3.14960	0.00000	0.00060	3.15010	3.14990	0.00080	0.00030
1.0	62.7	62.2	83.3	82.8	55.000	54.995	0.005	0.007	90.008	90.000	0.000	0.016	90.015	90.007	0.023	0.007
0.039	2.47	2.45	3.28	3.26	2.16540	2.16520	0.00020	0.00030	3.54360	3.54330	0.00000	0.00060	3.54390	3.54360	0.00090	0.00030
1.0	67.8	67.3	88.1	87.6	60.000	59.995	0.005	0.007	95.008	95.000	0.000	0.016	95.016	95.009	0.024	0.009
0.039	2.67	2.65	3.47	3.45	2.36220	2.36200	0.00020	0.00030	3.74050	3.74020	0.00000	0.00060	3.74080	3.74050	0.00090	0.00030
1.0	72.6	72.1	93.2	92.7	65.000	64.995	0.005	0.007	100.008	100.000	0.000	0.016	100.018	100.010	0.025	0.010
0.039	2.86	2.84	3.67	3.65	2.55910	2.55890	0.00020	0.00030	3.93730	3.93700	0.00000	0.00060	3.93770	3.93740	0.00100	0.00040
1.0	78.2	77.7	102.4	101.9	70.000	69.995	0.005	0.007	110.008	110.000	0.000	0.016	110.018	110.010	0.025	0.010
0.039	3.08	3.06	4.03	4.01	2.75590	2.75570	0.00020	0.00030	4.33100	4.33070	0.00000	0.00060	4.33140	4.33110	0.00100	0.00040
1.0	83.4	82.7	107.3	106.6	75.005	74.995	0.005	0.012	115.008	115.000	0.000	0.016	115.019	115.011	0.026	0.010
0.039	3.29	3.26	4.23	4.20	2.95300	2.95260	0.00020	0.00050	4.52790	4.52760	0.00000	0.00060	4.52830	4.52800	0.00100	0.00040
1.0	89.3	88.5	116.5	115.7	80.005	79.995	0.005	0.012	125.008	125.000	0.000	0.017	125.021	125.011	0.030	0.011
0.039	3.52	3.49	4.59	4.56	3.14980	3.14940	0.00020	0.00050	4.92160	4.92130	0.00000	0.00070	4.92210	4.92170	0.00120	0.00040
1.0	94.9	94.1	122.1	121.3	85.005	84.995	0.005	0.012	130.009	130.000	0.000	0.018	130.020	130.010	0.029	0.010
0.039	3.74	3.71	4.81	4.78	3.34670	3.34630	0.00020	0.00050	5.11850	5.11810	0.00000	0.00070	5.11890	5.11850	0.00110	0.00040
1.5	100.5	99.7	130.9	130.2	90.005	89.995	0.005	0.013	140.009	140.000	0.000	0.018	140.020	140.010	0.029	0.010
0.059	3.96	3.93	5.16	5.13	3.54350	3.54310	0.00020	0.00050	5.51220	5.51180	0.00000	0.00070	5.51260	5.51220	0.00110	0.00040
1.5	105.5	104.8	135.8	135.0	95.005	94.995	0.005	0.013	145.009	145.000	0.000	0.018	145.021	145.011	0.030	0.011
0.059	4.16	4.13	5.35	5.32	3.74040	3.74000	0.00020	0.00050	5.70910	5.70870	0.00000	0.00070	5.70950	5.70910	0.00110	0.00040
1.5	110.6	109.9	140.8	140.1	100.005	99.995	0.005	0.013	150.009	150.000	0.000	0.018	150.023	150.012	0.032	0.012
0.059	4.36	4.33	5.55	5.52	3.93720	3.93680	0.00020	0.00050	5.90590	5.90550	0.00000	0.00070	5.90640	5.90600	0.00120	0.00050

Continued on next page.

EXTRA-LIGHT ISO 10 SERIES
2(3)MM9100WI – continued

SUPER PRECISION MM

Running accuracy and performance meet ABEC 9 (ISO P2) levels.
 Other features conform to ABEC 7 (ISO P4) requirements.



Bearing Number 2MM or 3MM	d Bore	D O.D.	C Width ⁽¹⁾	Ball Qty. x Dia.	Bearing Wt. kg/lbs.	(2MM) LOAD RATINGS						(3MM) LOAD RATINGS					
						Steel Ball			Ceramic Ball			Steel Ball			Ceramic Ball		
						C ₀ Static	C _e Dynamic	Speed Rating ^(N_g)	C ₀ Static	C _e Dynamic	Speed Rating ^(N_g)	C ₀ Static	C _e Dynamic	Speed Rating ^(N_g)	C ₀ Static	C _e Dynamic	Speed Rating ^(N_g)
mm/in.		mm/in.	N/lbs.		RPM	N/lbs.		RPM	N/lbs.		RPM	N/lbs.		RPM			
9121WI	105 4.1339	160 6.2992	26 1.0236	21 x 16.7 21 x 21/32	1.617 3.57	89400 20100	97900 22000	7900 7900	79566 17889	97900 22000	9480 9480	84500 19000	92100 20700	7100 7100	75205 16910	92100 20700	8520 8520
9122WI	110 4.3307	170 6.6929	28 1.1024	22 x 17.5 22 x 11/16	2.043 4.50	102700 23100	109400 24600	7500 7500	91403 20559	109400 24600	9000 9000	97400 21900	103200 23200	6800 6800	86686 19491	103200 23200	8160 8160
9124WI	120 4.7244	180 7.0866	28 1.1024	23 x 17.5 23 x 11/16	2.180 4.81	108500 24400	111200 25000	6900 6900	96565 21716	111200 25000	8280 8280	103200 23200	105000 23600	6200 6200	91848 20648	105000 23600	7440 7440
9126WI	130 5.1181	200 7.8740	33 1.2992	21 x 20.6 21 x 13/16	3.273 7.21	137000 30800	143200 32200	6400 6400	121930 27412	143200 32200	7680 7680	129900 29200	135700 30500	5800 5800	115611 2988	135700 30500	6960 6960
9128WI	140 5.5118	210 8.2677	33 1.2992	22 x 20.6 22 x 13/16	3.454 7.62	145000 32600	146300 32900	5900 5900	129050 29014	146300 32900	7080 7080	137400 30900	138300 31100	5300 5300	122286 27501	138300 31100	6360 6360
9130WI	150 5.9055	225 8.8583	35 1.3780	22 x 22.2 22 x 7/8	4.200 9.26	168100 37800	167200 37600	5600 5600	149609 33642	167200 37600	6720 6720	159200 35800	157900 35500	5000 5000	141688 31862	157900 35500	6000 6000
9132WI	160 6.2992	240 9.4488	38 1.4961	22 x 23.8 22 x 15/16	5.188 11.44	192600 43300	189500 42600	5200 5200	171414 38537	189500 42600	6240 6240	182800 41100	179300 40300	4700 4700	162692 36579	179300 40300	5640 5640
9134WI	170 6.6929	260 10.2362	42 1.6535	22 x 27.0 22 x 1 1/16	6.999 15.43	245500 55200	234000 52600	4900 4900	218495 49128	234000 52600	5880 5880	232600 52300	221100 49700	4400 4400	207014 46547	221100 49700	5280 5280
9136WI	180 7.0866	280 11.0236	46 1.8110	20 x 27.0 20 x 1 3/16	9.250 20.40	276200 62100	258400 58100	4600 4600	245818 55269	258400 58100	5520 5520	262400 59000	244400 55000	4200 4200	233536 52510	244400 55000	5040 5040
9140WI	200 7.8740	310 12.2047	51 2.0079	20 x 33.3 20 x 1 5/16	12.148 26.78	337200 75800	296700 66700	4100 4100	300108 67462	296700 66700	4920 4920	321100 72200	281100 63200	3700 3700	285779 64258	281100 63200	4440 4440

^(N_g) For a single, grease-lubricated, spring-preloaded bearing. This value to be used in permissible operating speed (Sp) calculation.
⁽¹⁾ Width tolerance of preloaded bearing set +0.000/-0.254 mm (+0.0000/-0.0100 in.).
⁽²⁾ ABMA STD 20 (r_{as} max).

WI CONSTRUCTION

- Incorporates low shoulder on non-thrust side of outer rings.
- Balls separated by one-piece cage piloted against a ground thrust shoulder land of the outer ring.

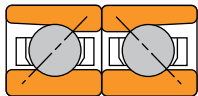
r Rad. ⁽²⁾	Suggested Shoulder Diameters				Shaft Diameter		Mounting Fits		FIXED				FLOATING			
	Shaft		Housing		Max.	Min.	Loose	Tight	Housing Bore (Stationary)		Mounting Fits		Housing Bore (Stationary)		Mounting Fits	
	Max.	Min.	Max.	Min.					Max.	Min.	Tight	Loose	Max.	Min.	Loose	Loose
mm/in.	mm/in.		mm/in.		mm/in.		mm/in.		mm/in.		mm/in.		mm/in.		mm/in.	
2.0 0.079	116.5 4.59	115.7 4.56	150.0 5.91	149.2 5.88	105.005 4.13410	104.995 4.13370	0.005 0.00020	0.013 0.00050	160.009 6.29960	160.000 6.29920	0.000 0.00000	0.022 0.00080	160.022 6.30010	160.012 6.29970	0.033 0.00130	0.012 0.00050
2.0 0.079	123.1 4.85	122.3 4.82	158.4 6.24	157.6 6.21	110.005 4.33090	109.995 4.33050	0.005 0.00020	0.013 0.00050	170.010 6.69330	170.000 6.69290	0.000 0.00000	0.020 0.00080	170.022 6.69380	170.012 6.69340	0.032 0.00130	0.012 0.00050
2.0 0.079	133.2 5.25	132.5 5.22	168.3 6.63	167.5 6.60	120.005 4.72460	119.995 4.72420	0.005 0.00020	0.013 0.00050	180.010 7.08700	180.000 7.08660	0.000 0.00000	0.020 0.00080	180.022 7.08750	180.012 7.08710	0.032 0.00130	0.012 0.00050
2.0 0.079	144.9 5.71	144.2 5.68	186.6 7.35	185.8 7.32	130.005 5.11830	129.995 5.11790	0.005 0.00020	0.015 0.00060	200.011 7.87450	200.000 7.87400	0.000 0.00000	0.022 0.00090	200.025 7.87500	200.015 7.87460	0.036 0.00150	0.015 0.00060
2.0 0.079	155.1 6.11	154.3 6.08	196.5 7.74	195.7 7.71	140.005 5.51200	139.995 5.51160	0.005 0.00020	0.015 0.00060	210.011 8.26820	210.000 8.26770	0.000 0.00000	0.022 0.00090	210.025 8.26870	210.015 8.26830	0.036 0.00150	0.015 0.00060
2.0 0.079	166.0 6.54	165.2 6.51	210.7 8.30	209.9 8.27	150.005 5.90570	149.995 5.90530	0.005 0.00020	0.015 0.00060	225.011 8.85880	225.000 8.85830	0.000 0.00000	0.022 0.00090	225.025 8.85930	225.015 8.85890	0.036 0.00150	0.015 0.00060
2.0 0.079	176.9 6.97	176.2 6.94	224.7 8.85	223.9 8.82	160.005 6.29940	159.995 6.29900	0.005 0.00020	0.015 0.00060	240.011 9.44930	240.000 9.44880	0.000 0.00000	0.022 0.00090	240.025 9.45000	240.015 9.44940	0.041 0.00160	0.018 0.00060
2.0 0.079	188.6 7.43	187.8 7.40	242.7 9.56	241.9 9.53	170.005 6.69310	169.995 6.69270	0.005 0.00020	0.015 0.00060	260.011 10.23670	260.000 10.23620	0.000 0.00000	0.024 0.00100	260.030 10.23750	260.015 10.23700	0.044 0.00180	0.018 0.00080
2.0 0.079	200.5 7.90	199.8 7.87	261.0 10.28	260.2 10.25	180.008 7.08690	179.993 7.08630	0.007 0.00030	0.018 0.00070	280.013 11.02410	280.000 11.02360	0.000 0.00000	0.026 0.00100	280.031 11.02490	280.018 11.02440	0.044 0.00180	0.018 0.00080
2.0 0.079	222.4 8.76	221.6 8.73	289.2 11.39	288.4 11.36	200.008 7.87430	199.993 7.87370	0.007 0.00030	0.019 0.00080	310.013 12.20520	310.000 12.20470	0.000 0.00000	0.026 0.00100	310.031 12.20600	310.018 12.20550	0.044 0.00180	0.018 0.00080



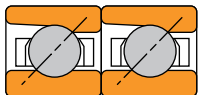
**EXTRA-LIGHT
2MM9100WI
ISO 10 SERIES**

**DUPLEX
PERFORMANCE DATA**

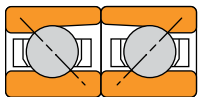
MOUNTING ARRANGEMENTS



**Back-to-Back
DB**



**Tandem
DT**



**Face-to-Face
DF**

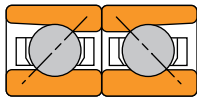
Bearing Number	Preload				Axial Stiffness ⁽¹⁾				Radial Stiffness ⁽¹⁾				Spacer Offsets ⁽¹⁾		
	X-light	DUL Light	DUM Med.	DUH Heavy	X-light	Light	Med.	Heavy	X-light	Light	Med.	Heavy	X-light to Light	Light to Med.	Med. to Heavy
	N lbs.				N/μm 10 ⁶ lbs./in.				N/μm 10 ⁶ lbs./in.				μm in.		
2MM9100WI	—	13	25	55	14.13	16.42	21.51	28.51	—	65.66	83.78	105.29	1.27	2.79	4.32
	—	3	6	12	0.081	0.094	0.123	0.163	—	0.375	0.479	0.602	0.00005	0.00011	0.00017
2MM9101WI	—	20	45	90	18.89	22.91	30.08	40.23	—	91.11	115.29	144.38	1.78	3.30	5.08
	—	5	10	20	0.108	0.131	0.172	0.230	—	0.521	0.659	0.826	0.00007	0.00013	0.00020
2MM9102WI	—	20	65	130	20.11	24.31	37.60	50.72	—	96.88	140.41	175.20	1.52	5.84	6.10
	—	5	15	30	0.115	0.139	0.215	0.290	—	0.554	0.803	1.002	0.00006	0.00023	0.00024
2MM9103WI	—	20	90	160	20.11	24.31	42.50	54.39	—	96.89	154.07	183.85	1.52	7.87	5.59
	—	5	20	35	0.115	0.139	0.243	0.311	—	0.554	0.881	1.051	0.00006	0.00031	0.00022
2MM9104WI	—	45	90	180	21.00	27.81	37.25	50.72	—	144.78	182.61	228.09	3.56	5.33	8.13
	—	10	20	40	0.120	0.159	0.213	0.290	—	0.828	1.044	1.304	0.00014	0.00021	0.00032
2MM9105WI	—	45	110	270	28.16	30.78	45.12	67.16	—	161.42	219.81	290.47	1.27	7.11	11.18
	—	10	25	60	0.161	0.176	0.258	0.384	—	0.923	1.257	1.661	0.00005	0.00028	0.00044
2MM9106WI	—	65	130	330	30.26	35.68	47.92	73.46	—	202.87	256.21	343.52	2.79	6.35	13.21
	—	15	30	75	0.173	0.204	0.274	0.420	—	1.160	1.465	1.964	0.00011	0.00025	0.00052
2MM9107WI	—	90	220	400	33.93	43.03	63.66	83.78	—	242.71	329.53	397.44	4.06	9.91	9.65
	—	20	50	90	0.194	0.246	0.364	0.479	—	1.388	1.884	2.272	0.00016	0.00039	0.00038
2MM9108WI	—	90	220	440	38.65	44.60	65.94	91.12	—	253.13	344.22	429.40	2.54	9.65	11.43
	—	20	50	100	0.221	0.255	0.377	0.521	—	1.447	1.968	2.455	0.00010	0.00038	0.00045
2MM9109WI	—	130	270	560	41.98	54.22	73.11	103.19	—	312.77	394.21	498.45	5.08	8.38	13.21
	—	30	60	125	0.240	0.310	0.418	0.590	—	1.788	2.254	2.850	0.00020	0.00033	0.00052
2MM9110WI	89	130	270	670	45.65	55.97	75.38	116.13	281.29	324.72	409.67	548.84	4.32	8.13	16.76
	20	30	60	150	0.261	0.320	0.431	0.664	1.606	1.857	2.342	3.138	0.00017	0.00032	0.00066
2MM9111WI	110	160	330	670	52.99	62.61	86.23	118.23	316.97	358.41	464.50	581.11	3.81	9.65	12.95
	25	35	75	150	0.303	0.358	0.493	0.676	1.810	2.049	2.656	3.323	0.00015	0.00038	0.00051
2MM9112WI	110	180	330	890	56.49	68.21	88.85	139.75	327.57	389.08	481.62	660.30	4.32	7.87	19.56
	25	40	75	200	0.323	0.390	0.508	0.799	1.871	2.225	2.754	3.775	0.00017	0.00031	0.00077
2MM9113WI	110	220	440	890	60.17	77.13	103.89	143.42	337.69	434.73	547.87	683.95	5.84	9.91	14.48
	25	50	100	200	0.344	0.441	0.594	0.820	1.928	2.486	3.133	3.911	0.00023	0.00039	0.00057
2MM9114WI	130	270	560	1110	62.44	83.43	114.03	157.24	363.37	469.41	600.03	749.06	7.62	11.68	16.51
	30	60	125	250	0.357	0.477	0.652	0.899	2.075	2.684	3.431	4.283	0.00030	0.00046	0.00065
2MM9115WI	130	270	560	1220	66.81	85.88	117.36	169.13	374.14	485.42	621.10	799.47	6.60	11.43	18.54
	30	60	125	275	0.382	0.491	0.671	0.967	2.136	2.775	3.551	4.571	0.00026	0.00045	0.00073
2MM9116WI	160	310	670	1560	71.36	92.87	128.03	189.59	404.91	529.96	685.98	900.40	7.37	12.95	22.35
	35	70	150	350	0.408	0.531	0.732	1.084	2.312	3.030	3.922	5.148	0.00029	0.00051	0.00088
2MM9117WI	180	360	780	1670	75.03	100.92	140.97	201.14	441.21	573.22	745.56	951.44	8.38	13.97	20.83
	40	80	175	375	0.429	0.577	0.806	1.150	2.519	3.277	4.263	5.440	0.00033	0.00055	0.00082
2MM9118WI	180	440	890	1780	74.16	105.99	142.89	197.64	436.76	622.45	785.34	981.05	11.68	14.22	20.83
	40	100	200	400	0.424	0.606	0.817	1.130	2.494	3.559	4.490	5.609	0.00046	0.00056	0.00082
2MM9119WI	200	490	980	1980	79.23	113.34	153.21	213.55	472.40	664.15	837.23	1049.03	11.94	14.73	21.84
	45	110	220	445	0.453	0.648	0.876	1.221	2.698	3.797	4.787	5.998	0.00047	0.00058	0.00086
2MM9120WI	220	560	1110	2000	84.83	122.95	166.50	219.85	507.88	715.43	900.60	1086.81	12.70	15.24	18.29
	50	125	250	450	0.485	0.703	0.952	1.257	2.900	4.091	5.149	6.214	0.00050	0.00060	0.00072
2MM9121WI	240	600	1220	2450	89.20	127.68	173.68	240.49	523.56	736.82	934.23	1166.02	12.95	16.51	23.62
	55	135	275	550	0.510	0.730	0.993	1.375	2.990	4.213	5.342	6.667	0.00051	0.00065	0.00093
2MM9122WI	270	670	1330	2670	95.32	138.17	186.27	257.28	555.90	792.09	999.34	1248.44	13.72	16.51	24.13
	60	150	300	600	0.545	0.790	1.065	1.471	3.174	4.529	5.714	7.138	0.00054	0.00065	0.00095
2MM9124WI	290	780	1560	2890	102.84	151.29	204.63	273.72	590.28	859.91	1082.79	1319.88	14.99	17.53	22.35
	65	175	350	650	0.588	0.865	1.170	1.565	3.371	4.917	6.191	7.547	0.00059	0.00069	0.00088
2MM9126WI	330	890	1780	3670	105.11	154.61	208.48	292.78	613.01	897.71	1132.37	1428.16	17.02	19.56	30.23
	75	200	400	825	0.601	0.884	1.192	1.674	3.501	5.133	6.474	8.166	0.00067	0.00077	0.00119
2MM9128WI	380	1000	2000	3890	112.99	166.85	225.62	308.52	664.59	963.80	1214.17	1501.97	17.78	20.32	28.19
	85	225	450	875	0.646	0.954	1.290	1.764	3.795	5.511	6.942	8.588	0.00070	0.00080	0.00111
2MM9130WI	440	1110	2450	4450	122.95	177.87	250.63	331.96	721.78	1024.34	1332.00	1612.33	17.78	24.89	27.43
	100	250	550	1000	0.703	1.017	1.433	1.898	4.122	5.857	7.616	9.219	0.00070	0.00098	0.00108
2MM9132WI	490	1330	2670	5340	130.13	194.31	262.35	363.44	760.23	1116.05	1405.76	1754.23	20.83	23.37	34.04
	110	300	600	1200	0.744	1.111	1.500	2.078	4.341	6.381	8.038	10.030	0.00082	0.00092	0.00134
2MM9134WI	580	1670	3340	6670	141.49	215.83	291.56	403.84	839.57	1264.35	15				

EXTRA-LIGHT
3MM9100WI
ISO 10 SERIES

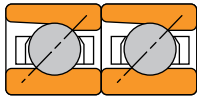
DUPLEX
PERFORMANCE DATA

Bearing Number	Preload				Axial Stiffness ⁽¹⁾				Radial Stiffness ⁽¹⁾				Spacer Offsets ⁽¹⁾		
	DUX X-light	DUL Light	DUM Med.	DUH Heavy	X-light	Light	Med.	Heavy	X-light	Light	Med.	Heavy	X-light to Light	Light to Med.	Med. to Heavy
	N lbs.				N/ μ m 10 ⁶ lbs./in.				N/ μ m 10 ⁶ lbs./in.				μ m in.		
3MM9100WI	—	20	45	90	21.51	30.44	39.23	51.11	—	63.42	80.40	100.86	0.76	1.78	2.79
	—	5	10	20	0.123	0.174	0.224	0.292	—	0.363	0.460	0.577	0.00003	0.00007	0.00011
3MM9101WI	—	45	90	180	28.68	45.15	58.59	77.10	—	93.27	117.34	146.46	1.02	2.29	3.56
	—	10	20	40	0.164	0.258	0.335	0.440	—	0.533	0.671	0.837	0.00004	0.00009	0.00014
3MM9102WI	—	45	90	180	30.61	50.68	65.58	85.94	—	99.34	125.12	156.34	1.02	3.81	4.32
	—	10	20	40	0.175	0.289	0.374	0.491	—	0.568	0.715	0.894	0.00004	0.00015	0.00017
3MM9103WI	—	65	160	220	30.61	55.73	77.33	89.38	—	113.84	149.87	167.71	1.02	5.33	3.81
	—	15	35	50	0.175	0.318	0.442	0.510	—	0.651	0.857	0.959	0.00004	0.00021	0.00015
3MM9104WI	—	90	180	330	40.4	66.77	86.69	111.16	—	137.86	173.36	212.00	2.03	3.05	4.57
	—	20	40	75	0.231	0.381	0.495	0.635	—	0.788	0.991	1.212	0.00008	0.00012	0.00018
3MM9105WI	—	90	220	400	52.99	74.23	104.70	132.20	—	153.93	208.66	251.77	0.76	3.81	6.35
	—	20	50	90	0.303	0.424	0.598	0.755	—	0.880	1.193	1.440	0.00003	0.00015	0.00025
3MM9106WI	—	130	290	530	60.52	90.66	121.43	155.04	—	195.36	252.33	306.97	1.27	3.3	7.37
	—	30	65	120	0.346	0.518	0.693	0.885	—	1.117	1.443	1.755	0.00005	0.00013	0.00029
3MM9107WI	—	160	360	710	68.74	103.35	140.95	185.62	—	222.51	293.03	365.86	2.03	5.33	5.33
	—	35	80	160	0.393	0.590	0.805	1.060	—	1.272	1.675	2.092	0.00008	0.00021	0.00021
3MM9108WI	—	180	440	760	78.01	113.06	159.90	197.67	—	243.01	329.06	389.76	1.27	5.08	6.35
	—	40	100	170	0.446	0.646	0.913	1.129	—	1.389	1.881	2.229	0.00005	0.0002	0.00025
3MM9109WI	—	220	560	980	87.97	131.08	185.23	232.10	—	280.98	380.67	455.96	2.54	4.32	7.11
	—	50	125	220	0.503	0.749	1.058	1.325	—	1.607	2.176	2.607	0.0001	0.00017	0.00028
3MM9110WI	110	240	670	1070	109.84	142.02	207.61	250.63	227.34	301.39	419.66	487.34	3.81	9.65	6.86
	25	55	150	240	0.628	0.812	1.187	1.433	1.298	1.723	2.399	2.786	0.00015	0.00038	0.00027
3MM9111WI	130	330	780	1330	120.33	163.53	225.1	278.97	253.11	354.42	469.41	557.84	5.33	9.14	8.89
	30	75	175	300	0.688	0.935	1.287	1.595	1.445	2.026	2.684	3.190	0.00021	0.00036	0.00035
3MM9112WI	160	360	890	1450	129.95	173.33	245.21	297.68	278.69	375.44	508.40	593.68	5.33	10.16	8.13
	35	80	200	325	0.743	0.991	1.402	1.702	1.591	2.147	2.907	3.394	0.00021	0.0004	0.00032
3MM9113WI	180	360	890	1560	140.62	178.92	252.91	316.22	303.09	388.33	526.36	629.45	4.32	9.91	9.4
	40	80	200	350	0.804	1.023	1.446	1.808	1.731	2.220	3.010	3.599	0.00017	0.00039	0.00037
3MM9114WI	200	440	1110	2000	148.32	197.64	278.97	352.42	316.28	423.12	573.64	692.20	5.59	11.18	11.18
	45	100	250	450	0.848	1.13	1.595	2.015	1.806	2.419	3.280	3.958	0.00022	0.00044	0.00044
3MM9115WI	220	490	1220	2110	159.16	211.45	298.73	371.31	340.43	452.13	612.48	729.26	5.84	11.43	10.67
	50	110	275	475	0.91	1.209	1.708	2.123	1.944	2.585	3.502	4.170	0.00023	0.00045	0.00042
3MM9116WI	240	620	1560	2670	170.53	240.14	339.13	420.11	359.22	508.19	688.62	818.08	7.37	12.7	11.68
	55	140	350	600	0.975	1.373	1.939	2.402	2.051	2.906	3.937	4.677	0.00029	0.0005	0.00046
3MM9117WI	270	670	1670	2890	181.72	253.95	358.89	446.69	383.57	537.29	727.78	867.49	7.37	12.95	12.19
	60	150	375	650	1.039	1.452	2.052	2.554	2.190	3.072	4.161	4.960	0.00029	0.00051	0.00048
3MM9118WI	270	760	1780	3340	183.99	262.7	362.22	465.06	394.38	565.75	751.98	919.61	8.38	12.95	14.99
	65	170	400	750	1.052	1.502	2.071	2.659	2.252	3.235	4.300	5.258	0.00033	0.00051	0.00059
3MM9119WI	290	820	1980	3450	193.96	279.32	388.98	485.17	405.28	601.34	804.52	960.71	8.89	13.72	13.46
	65	185	445	775	1.109	1.597	2.224	2.774	2.314	3.438	4.600	5.493	0.00035	0.00054	0.00053
3MM9120WI	330	850	2000	3560	207.08	290.51	401.92	505.11	442.97	625.70	833.21	1001.76	8.13	13.21	13.72
	75	190	450	800	1.184	1.661	2.298	2.888	2.530	3.578	4.764	5.728	0.00032	0.00052	0.00054
3MM9121WI	360	960	2050	4090	217.4	308.35	409.62	537.82	448.80	652.64	841.25	1051.10	8.89	12.19	17.27
	80	215	460	920	1.243	1.763	2.342	3.075	2.563	3.732	4.810	6.010	0.00035	0.00048	0.00068
3MM9122WI	400	1110	2670	4890	232.62	337.91	469.43	596.76	487.78	718.63	961.43	1167.28	9.91	15.24	16.76
	90	250	600	1100	1.33	1.932	2.684	3.412	2.785	4.109	5.497	6.674	0.00039	0.0006	0.00066
3MM9124WI	440	1220	2890	5120	251.33	359.94	497.59	624.04	523.58	764.45	1016.78	1220.33	10.16	15.49	15.75
	100	275	650	1150	1.437	2.058	2.845	3.568	2.990	4.371	5.814	6.977	0.0004	0.00061	0.00062
3MM9126WI	510	1510	3670	6670	259.03	381.81	533.1	676.16	538.89	814.82	1093.67	1324.03	12.45	18.8	19.81
	115	340	825	1500	1.481	2.183	3.048	3.866	3.077	4.659	6.253	7.570	0.00049	0.00074	0.00078
3MM9128WI	580	1560	3890	6890	277.22	397.55	561.08	704.5	583.89	848.49	1150.30	1381.06	11.68	19.3	19.05
	130	350	875	1550	1.585	2.273	3.208	4.028	3.334	4.851	6.577	7.896	0.00046	0.00076	0.00075
3MM9130WI	640	1780	4450	8010	297.16	428.16	604.1	762.74	617.68	908.66	1232.22	1487.09	12.45	20.57	20.83
	145	400	1000	1800	1.699	2.448	3.454	4.361	3.527	5.195	7.045	8.503	0.00049	0.00081	0.00082
3MM9132WI	760	2220	5340	8900	319.54	470.66	655	802.44	667.54	1001.74	1338.58	1576.11	14.73	22.1	19.56
	170	500	1200	2000	1.827	2.691	3.745	4.588	3.812	5.728	7.653	9.012	0.00058	0.00087	0.00077
3MM9134WI	930	2780	5780	11560	359.42	531	698.73	918.4	742.80	1123.56	1433.83	1791.10	16.51	19.56	28.45
	210	625	1300	2600	2.055	3.036	3.995	5.251	4.242	6.424	8.198	10.241	0.00065	0.00077	0.00112
3MM9136WI	1020	3110	6230	12460	358.55	533.79	691.9	908.78	742.40	1135.57	1431.01	1788.58	18.54	20.32	30.9
	230	700	1400	2800	2.05	3.052	3.956	5.196	4.239	6.493	8.182	10.226	0.00073	0.0008	0.00122
3MM9140WI	1250	3780	8900	16010	395.62	588.71	812.24	1025.61	818.74	1251.44	1662.98	2007.43	20.32	28.96	30.99
	280	850	2000	3600	2.262	3.366	4.644	5.864	4.675	7.155	9.508	11.478	0.0008	0.00114	0.00122

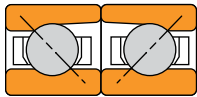
⁽¹⁾ For DB or DF arrangements only. For other mounting arrangements, contact your Timken representative.



Back-to-Back
DB



Tandem
DT



Face-to-Face
DF



**EXTRA-LIGHT 2MM9100WI
ISO 10 SERIES**

SPEED CAPABILITY DATA

Bearing Number	Grease Capacity ⁽¹⁾				Operating Speeds ⁽⁴⁾ (DB Mounting) ⁽⁵⁾					
	Low Speed ⁽²⁾		High Speed ⁽³⁾		Grease			Oil		
	25%	40%	15%	20%	DUL	DUM	DUH	DUL	DUM	DUH
	grams		grams		RPM			RPM		
2MM9100WI	0.20	0.40	0.20	0.20	54800	41100	27400	93200	69900	46600
2MM9101WI	0.30	0.40	0.20	0.20	45800	34400	22900	77900	58500	38900
2MM9102WI	0.30	0.50	0.20	0.30	38900	29200	19400	66100	49600	33000
2MM9103WI	0.40	0.70	0.30	0.40	34500	25900	17200	58700	44000	29200
2MM9104WI	0.70	1.20	0.50	0.70	29700	22300	14800	50500	37900	25200
2MM9105WI	0.90	1.40	0.60	0.80	24700	18500	12400	42000	31500	21100
2MM9106WI	1.30	2.00	0.80	1.10	20400	15300	10200	34700	26000	17300
2MM9107WI	1.60	2.60	1.10	1.50	18100	13600	9000	30800	23100	15300
2MM9108WI	2.00	3.20	1.40	1.80	15900	11900	8000	27000	20200	13600
2MM9109WI	2.50	4.00	1.70	2.20	14300	10000	7200	24300	18200	12200
2MM9110WI	2.80	4.40	1.90	2.50	13000	9800	6500	22100	16700	11100
2MM9111WI	4.00	6.40	2.70	3.50	11800	8800	5900	20100	15000	10000
2MM9112WI	4.20	6.80	2.80	3.80	10900	8200	5400	18500	13900	9200
2MM9113WI	4.50	7.20	3.00	4.00	10200	7600	5100	17300	12900	8700
2MM9114WI	6.30	10.00	4.20	5.60	9400	7000	4700	16000	11900	8000
2MM9115WI	6.60	10.60	4.40	5.90	8800	6600	4400	15000	11200	7500
2MM9116WI	8.60	13.80	5.80	7.70	8200	6200	4100	13900	10500	7000
2MM9117WI	9.10	14.50	6.00	8.10	7800	5800	3900	13300	9900	6600
2MM9118WI	11.70	18.80	7.80	10.40	7400	5500	3700	12600	9400	6300
2MM9119WI	12.20	19.50	8.10	10.90	7000	5200	3500	11900	8800	6000
2MM9120WI	12.10	19.40	8.10	10.80	6600	5000	3300	11200	8500	5600
2MM9121WI	15.90	25.40	10.60	14.10	6300	4700	3200	10700	8000	5400
2MM9122WI	18.90	30.20	12.60	16.80	6000	4500	3000	10200	7700	5100
2MM9124WI	20.50	32.80	13.70	18.20	5500	4100	2800	9400	7000	4800
2MM9126WI	31.70	50.70	21.10	28.20	5100	3800	2600	8700	6500	4400
2MM9128WI	33.80	54.00	22.50	30.10	4700	3500	2400	8000	6000	4100
2MM9130WI	41.10	65.70	27.40	36.50	4500	3400	2200	7700	5800	3700
2MM9132WI	51.00	81.60	34.10	45.40	4200	3100	2100	7100	5300	3600
2MM9134WI	66.30	106.00	44.20	59.00	3900	2900	2000	6600	4900	3400
2MM9136WI	88.40	141.50	59.00	78.70	3700	2800	1800	6200	4700	3100
2MM9140WI	121.00	193.50	80.70	107.60	3300	2500	1600	5600	4300	2700

⁽¹⁾ Fill weights based on specific gravity of 0.99.

⁽²⁾ Low speed <500000 dN.

⁽³⁾ High speed ≥ 500000 dN.

⁽⁴⁾ For ceramic ball complements, use 120 percent of speeds shown.

⁽⁵⁾ For other mounting arrangement configurations, refer to the engineering section on permissible speed calculation methods.

EXTRA-LIGHT 3MM9100WI
ISO 10 SERIES

SPEED CAPABILITY DATA

Bearing Number	Grease Capacity ⁽¹⁾				Operating Speeds ⁽⁴⁾ (DB Mounting) ⁽⁵⁾					
	Low Speed ⁽²⁾		High Speed ⁽³⁾		Grease			Oil		
	25%	40%	15%	20%	DUL	DUM	DUH	DUL	DUM	DUH
	grams		grams		RPM			RPM		
3MM9100WI	0.20	0.40	0.20	0.20	49320	36990	24660	83880	62910	41940
3MM9101WI	0.30	0.40	0.20	0.20	41220	30960	20610	70110	52650	35010
3MM9102WI	0.30	0.50	0.20	0.30	35010	26280	17460	59490	44640	29700
3MM9103WI	0.40	0.70	0.30	0.40	31050	23310	15480	52830	39600	26280
3MM9104WI	0.70	1.20	0.50	0.70	26730	20070	13320	45450	34110	22680
3MM9105WI	0.90	1.40	0.60	0.80	22230	16650	11160	37800	28350	18990
3MM9106WI	1.30	2.00	0.80	1.10	18360	13770	9180	31230	23400	15570
3MM9107WI	1.60	2.60	1.10	1.50	16290	12240	8100	27720	20790	13770
3MM9108WI	2.00	3.20	1.40	1.80	14310	10710	7200	24300	18180	12240
3MM9109WI	2.50	4.00	1.70	2.20	12870	9000	6480	21870	16380	10980
3MM9110WI	2.80	4.40	1.90	2.50	11700	8820	5850	19890	15030	9990
3MM9111WI	4.00	6.40	2.70	3.50	10620	7920	5310	18090	13500	9000
3MM9112WI	4.20	6.80	2.80	3.80	9810	7380	4860	16650	12510	8280
3MM9113WI	4.50	7.20	3.00	4.00	9180	6840	4590	15570	11610	7830
3MM9114WI	6.30	10.00	4.20	5.60	8460	6300	4230	14400	10710	7200
3MM9115WI	6.60	10.60	4.40	5.90	7920	5940	3960	13500	10080	6750
3MM9116WI	8.60	13.80	5.80	7.70	7380	5580	3690	12510	9450	6300
3MM9117WI	9.10	14.50	6.00	8.10	7020	5220	3510	11970	8910	5940
3MM9118WI	11.70	18.80	7.80	10.40	6660	4950	3330	11340	8460	5670
3MM9119WI	12.20	19.50	8.10	10.90	6300	4680	3150	10710	7920	5400
3MM9120WI	12.10	19.40	8.10	10.80	5940	4500	2970	10080	7650	5040
3MM9121WI	15.90	25.40	10.60	14.10	5670	4230	2880	9630	7200	4860
3MM9122WI	18.90	30.20	12.60	16.80	5400	4050	2700	9180	6930	4590
3MM9124WI	20.50	32.80	13.70	18.20	4950	3690	2520	8460	6300	4320
3MM9126WI	31.70	50.70	21.10	28.20	4590	3420	2340	7830	5850	3960
3MM9128WI	33.80	54.00	22.50	30.10	4230	3150	2160	7200	5400	3690
3MM9130WI	41.10	65.70	27.40	36.50	4050	3060	1980	6930	5220	3330
3MM9132WI	51.00	81.60	34.10	45.40	3780	2790	1890	6390	4770	3240
3MM9134WI	66.30	106.00	44.20	59.00	3510	2610	1800	5940	4410	3060
3MM9136WI	88.40	141.50	59.00	78.70	3330	2520	1620	5580	4230	2790
3MM9140WI	121.00	193.50	80.70	107.60	2970	2250	1440	5040	3870	2430

(1) Fill weights based on specific gravity of 0.99.

(2) Low speed <500000 dN.

(3) High speed ≥ 500000 dN.

(4) For ceramic ball complements, use 120 percent of speeds shown.

(5) For other mounting arrangement configurations, refer to the engineering section on permissible speed calculation methods.

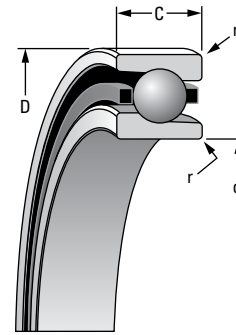


EXTRA-LIGHT ISO 10 SERIES
2(3)MMV9100HX

SUPER PRECISION MM

Running accuracy and performance meet ABEC 9 (ISO P2) levels.

Other features conform to ABEC 7 (ISO P4) requirements.



Bearing Number 2MM or 3MM	d Bore	D O.D.	C Width ⁽¹⁾	Ball Qty. x Dia.	Bearing Wt.	(2MM) LOAD RATINGS						(3MM) LOAD RATINGS					
						Steel Ball			Ceramic Ball			Steel Ball			Ceramic Ball		
						C ₀ Static	C _e Dynamic	Speed Rating ^(N_g)	C ₀ Static	C _e Dynamic	Speed Rating ^(N_g)	C ₀ Static	C _e Dynamic	Speed Rating ^(N_g)	C ₀ Static	C _e Dynamic	Speed Rating ^(N_g)
	mm/in.			mm/in.	kg/lbs.	N/lbs.		RPM	N/lbs.		RPM	N/lbs.		RPM	N/lbs.		RPM
9100HX	10 0.3937	26 1.0236	8 0.3150	10 x 4.0 10 x 5/32	0.018 0.04	1180 270	3310 740	85800 85800	1050 240	3310 740	102960 102960	1140 260	3170 710	77200 77200	1010 230	3170 710	92640 92640
9101HX	12 0.4724	28 1.1024	8 0.3150	10 x 4.8 10 x 3/16	0.020 0.04	1650 370	4560 1030	78900 78900	1470 330	4560 1030	94680 94680	1590 360	4390 990	71000 71000	1420 320	4390 990	85200 85200
9102HX	15 0.5906	32 1.2598	9 0.3543	12 x 4.8 12 x 3/16	0.027 0.06	2110 470	5210 1170	64300 64300	1880 420	5210 1170	77160 77160	2010 450	4980 1120	57900 57900	1790 400	4980 1120	69480 69480
9103HX	17 0.6693	35 1.378	10 0.3937	12 x 5.6 12 x 7/32	0.038 0.08	2810 630	6860 1540	58900 58900	2500 560	6860 1540	70680 70680	2700 610	6580 1480	53000 53000	2410 540	6580 1480	63600 63600
9104HX	20 0.7874	42 1.6535	12 0.4724	12 x 6.4 12 x 1/4	0.064 0.14	3740 840	8730 1960	48900 48900	3330 750	8730 1960	58680 58680	3570 800	8370 1880	44000 44000	3180 710	8370 1880	52800 52800
9105HX	25 0.9843	47 1.8504	12 0.4724	13 x 6.4 13 x 1/4	0.073 0.16	4240 950	9190 2070	40700 40700	3770 850	9190 2070	48840 48840	4030 910	8760 1970	36600 36600	3590 810	8760 1970	43920 43920
9106HX	30 1.1811	55 2.1654	13 0.5118	14 x 7.1 14 x 9/32	0.104 0.23	5850 1320	11900 2680	33600 33600	5210 1170	11900 2680	40320 40320	5600 1260	11300 2550	30200 30200	4990 1120	11300 2550	36240 36240
9107HX	35 1.378	62 2.4409	14 0.5512	15 x 7.9 15 x 5/16	0.145 0.32	7770 1750	15000 3380	29800 29800	6920 1560	15000 3380	35760 35760	7430 1670	14300 3220	26800 26800	6620 1490	14300 3220	32160 32160
9108HX	40 1.5748	68 2.6772	15 0.5906	16 x 7.9 16 x 5/16	0.181 0.40	8510 1910	15500 3490	26200 26200	7580 1700	15500 3490	31440 31440	8090 1820	14700 3310	23600 23600	7200 1620	14700 3310	28320 28320
9109HX	45 1.7717	75 2.9528	16 0.6299	15 x 9.5 15 x 3/8	0.218 0.48	11300 2540	20800 4690	23900 23900	10100 2260	20800 4690	28680 28680	10800 2420	19800 4460	21500 21500	9590 2160	19800 4460	25800 25800
9110HX	50 1.9685	80 3.1496	16 0.6299	16 x 9.5 16 x 3/8	0.236 0.52	12300 2760	21600 4850	21800 21800	10900 2450	21600 4850	26160 26160	11700 2620	20500 4600	19600 19600	10400 2330	20500 4600	23500 23500
9111HX	55 2.1654	90 3.5433	18 0.7087	24 x 7.9 24 x 5/16	0.399 0.88	13500 3030	19400 4360	18700 18700	12000 2700	19400 4360	22440 22440	12800 2880	18300 4120	16900 16900	11400 2560	18300 4120	20280 20280
9112HX	60 2.3622	95 3.7402	18 0.7087	25 x 7.9 25 x 5/16	0.426 0.94	14200 3190	19700 4420	17400 17400	12600 2840	19700 4420	20880 20880	13400 3010	18600 4180	15700 15700	11900 2680	18600 4180	18840 18840
9113HX	65 2.5591	100 3.9370	18 0.7087	25 x 8.7 25 x 11/32	0.445 0.98	17100 3850	23500 5280	16400 16400	15200 3430	23500 5280	19680 19680	16200 3640	22200 4990	14800 14800	14400 3240	22200 4990	17760 17760
9114HX	70 2.7559	110 4.3307	20 0.7874	25 x 9.5 25 x 3/8	0.626 1.38	20400 4580	27500 6180	15000 15000	18100 4080	27500 6180	18000 18000	19200 4330	85900 5830	13500 13500	17100 3850	85900 5830	16200 16200
9115HX	75 2.9528	115 4.5276	20 0.7874	26 x 9.5 26 x 3/8	0.658 1.45	21300 4790	27900 6270	14200 14200	19000 4260	27900 6270	17040 17040	20100 4520	26408 5930	12700 12700	17900 4020	26408 5930	15240 15240
9116HX	80 3.1496	125 4.9213	22 0.8661	25 x 11.1 25 x 7/16	0.875 1.93	27600 6210	36500 8210	13200 13200	24600 5530	36500 8210	15840 15840	26200 5880	34400 7740	11900 11900	23300 5240	34400 7740	14280 14280
9117HX	85 3.3465	130 5.1181	22 0.8610	26 x 11.1 26 x 7/16	0.916 2.02	29000 6510	37100 8330	12600 12600	25800 5790	37100 8330	15120 15120	27300 6140	35000 7870	11300 11300	24300 5460	35000 7870	13560 13560
9118HX	90 3.5433	140 5.5118	24 0.9449	28 x 11.1 28 x 7/16	1.229 2.71	31300 7040	38400 8630	11700 11700	27900 6260	38400 8630	14040 14040	29400 6600	36200 8150	10500 10500	26100 5880	36200 8150	12600 12600

^(N_g) For a single, grease-lubricated, spring-preloaded bearing. This value to be used in permissible operating speed (Sp) calculation.

⁽¹⁾ Width tolerance of preloaded bearing set +0.000/-0.254 mm (+0.0000/-0.0100 in.).

⁽²⁾ ABMA STD 20 (r_{as} max).

WN CONSTRUCTION

- Incorporates low shoulder on non-thrust side of both inner and outer rings.
- Balls separated by one-piece cage piloted against a ground thrust shoulder land of the outer ring.

HIGH-SPEED SEAL OPTION

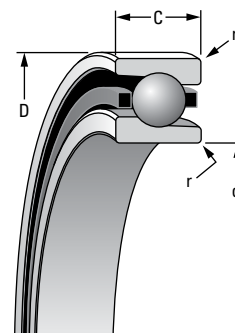
Available with non-contact seals. Add VV suffix to part number (in place of CR cage designation). Ex: 2MMV9106HXVV SUL.

r Rad. ⁽²⁾	Suggested Shoulder Diameters				Shaft Diameter		Mounting Fits		FIXED				FLOATING			
	Shaft		Housing		Max.	Min.	Loose	Tight	Housing Bore (Stationary)		Mounting Fits		Housing Bore (Stationary)		Mounting Fits	
	Max.	Min.	Max.	Min.					Max.	Min.	Tight	Loose	Max.	Min.	Loose	Loose
mm/in.	mm/in.		mm/in.		mm/in.		mm/in.		mm/in.		mm/in.		mm/in.		mm/in.	
0.3	13.6	13.3	23.2	23	10.000	9.995	0.005	0.004	26.005	26.000	0.000	0.010	26.010	26.005	0.015	0.005
0.012	0.54	0.53	0.92	0.91	0.39370	0.39350	0.00020	0.00015	1.02380	1.02360	0.00000	0.00040	1.02400	1.02380	0.00060	0.00020
0.3	16.1	15.9	25.5	25.3	12.000	11.995	0.005	0.004	28.005	28.000	0.000	0.010	28.010	28.005	0.015	0.005
0.012	0.64	0.63	1.01	1.00	0.47240	0.47220	0.00020	0.00015	1.10260	1.10240	0.00000	0.00040	1.10280	1.10260	0.00060	0.00020
0.3	19.2	18.9	28.6	28.3	15.000	14.995	0.005	0.004	32.005	32.000	0.000	0.011	32.010	32.005	0.016	0.005
0.012	0.76	0.75	1.13	1.12	0.59060	0.59040	0.00020	0.00015	1.26000	1.25980	0.00000	0.00045	1.26020	1.26000	0.00070	0.00020
0.3	21.7	21.5	31.1	30.9	17.000	16.995	0.005	0.004	35.006	35.000	0.000	0.012	35.010	35.005	0.016	0.005
0.012	0.86	0.85	1.23	1.22	0.66930	0.66910	0.00020	0.00015	1.37830	1.37800	0.00000	0.00050	1.37840	1.37820	0.00070	0.00020
0.6	25.0	24.8	37.7	37.5	20.000	19.995	0.005	0.005	42.006	42.000	0.000	0.012	42.010	42.005	0.016	0.005
0.024	0.99	0.98	1.49	1.48	0.78740	0.78720	0.00020	0.00020	1.65380	1.65350	0.00000	0.00050	1.65390	1.65370	0.00070	0.00020
0.6	30.1	29.9	42.6	42.3	25.000	24.995	0.005	0.005	47.006	47.000	0.000	0.012	47.010	47.007	0.018	0.007
0.024	1.19	1.18	1.68	1.67	0.98430	0.98410	0.00020	0.00020	1.85070	1.85040	0.00000	0.00050	1.85090	1.85070	0.00080	0.00030
1.0	36.20	35.90	50.7	50.4	30.000	29.995	0.005	0.005	55.008	55.000	0.000	0.015	55.012	55.007	0.019	0.007
0.039	1.43	1.42	2.00	1.99	1.18110	1.18090	0.00020	0.00020	2.16570	2.16540	0.00000	0.00060	2.16590	2.16570	0.00080	0.00030
1.0	41.2	40.6	56.6	56.1	35.000	34.995	0.005	0.006	62.008	62.000	0.000	0.015	62.012	62.007	0.019	0.007
0.039	1.62	1.60	2.23	2.21	1.37800	1.37780	0.00020	0.00025	2.44120	2.44090	0.00000	0.00060	2.44140	2.44120	0.00080	0.00030
1.0	46.2	45.7	62.2	61.7	40.000	39.995	0.005	0.006	68.008	68.000	0.000	0.015	68.012	68.007	0.019	0.007
0.039	1.82	1.80	2.45	2.43	1.57480	1.57460	0.00020	0.00025	2.67750	2.67720	0.00000	0.00060	2.67770	2.67750	0.00080	0.00030
1.0	51.8	51.3	69.3	68.8	45.000	44.995	0.005	0.006	75.008	75.000	0.000	0.015	75.014	75.009	0.022	0.009
0.039	2.04	2.02	2.73	2.71	1.7717	1.77150	0.00020	0.00025	2.95310	2.95280	0.00000	0.00060	2.95330	2.95310	0.00080	0.00030
1.0	56.6	56.1	74.2	73.7	50.000	49.995	0.005	0.006	80.008	80.000	0.000	0.015	80.012	80.008	0.020	0.008
0.039	2.23	2.21	2.92	2.90	1.96850	1.96830	0.00020	0.00025	3.14990	3.14960	0.00000	0.00060	3.15010	3.14990	0.00080	0.00030
1.0	62.7	62.2	83.3	82.8	55.000	54.995	0.005	0.007	90.008	90.000	0.000	0.016	90.015	90.007	0.023	0.007
0.039	2.47	2.45	3.28	3.26	2.16540	2.16520	0.00020	0.00030	3.54360	3.54330	0.00000	0.00060	3.54390	3.54360	0.00090	0.00030
1.0	67.8	67.3	88.1	87.6	60.000	59.995	0.005	0.007	95.008	95.000	0.000	0.016	95.016	95.009	0.024	0.009
0.039	2.67	2.65	3.47	3.45	2.36220	2.36200	0.00020	0.00030	3.74050	3.74020	0.00000	0.00060	3.74080	3.74050	0.00090	0.00030
1.0	72.6	72.1	93.2	92.7	65.000	64.995	0.005	0.007	100.008	100.000	0.000	0.016	100.018	100.010	0.025	0.010
0.039	2.86	2.84	3.67	3.65	2.55910	2.55890	0.00020	0.00030	3.93730	3.93700	0.00000	0.00060	3.93770	3.93740	0.00100	0.00040
1.0	78.2	77.7	102.4	101.9	70.000	69.995	0.005	0.007	110.008	110.000	0.000	0.016	110.018	110.010	0.025	0.010
0.039	3.08	3.06	4.03	4.01	2.75590	2.75570	0.00020	0.00030	4.33100	4.33070	0.00000	0.00060	4.33140	4.33110	0.00100	0.00040
1.0	83.4	82.7	107.3	106.6	75.005	74.995	0.005	0.012	115.008	115.000	0.000	0.016	115.019	115.011	0.026	0.010
0.039	3.29	3.26	4.23	4.20	2.95300	2.95260	0.00020	0.00050	4.52790	4.52760	0.00000	0.00060	4.52830	4.52800	0.00100	0.00040
1.0	89.3	88.5	116.5	115.7	80.005	79.995	0.005	0.012	125.008	125.000	0.000	0.017	125.021	125.011	0.030	0.011
0.039	3.52	3.49	4.59	4.56	3.14980	3.14940	0.00020	0.00050	4.92160	4.92130	0.00000	0.00070	4.92210	4.92170	0.00120	0.00040
1.0	94.9	94.1	122.1	121.3	85.005	84.995	0.005	0.012	130.009	130.000	0.000	0.018	130.020	130.010	0.029	0.010
0.039	3.74	3.71	4.81	4.78	3.34670	3.34630	0.00020	0.00050	5.11850	5.11810	0.00000	0.00070	5.11890	5.11850	0.00110	0.00040
1.5	100.5	99.7	130.9	130.2	90.005	89.995	0.005	0.013	140.009	140.000	0.000	0.018	140.020	140.010	0.029	0.010
0.059	3.96	3.93	5.16	5.13	3.54350	3.54310	0.00020	0.00050	5.51220	5.51180	0.00000	0.00070	5.51260	5.51220	0.00110	0.00040

Continued on next page.



EXTRA-LIGHT ISO 10 SERIES
2(3)MMV9100HX – continued



SUPER PRECISION MM

Running accuracy and performance meet ABEC 9 (ISO P2) levels.
 Other features conform to ABEC 7 (ISO P4) requirements.

Bearing Number 2MM or 3MM	d Bore	D O.D.	C Width ⁽¹⁾	Ball Qty. x Dia.	Bearing Wt.	(2MM) LOAD RATINGS						(3MM) LOAD RATINGS					
						Steel Ball			Ceramic Ball			Steel Ball			Ceramic Ball		
						C ₀ Static	C _e Dynamic	Speed Rating ^(N_g)	C ₀ Static	C _e Dynamic	Speed Rating ^(N_g)	C ₀ Static	C _e Dynamic	Speed Rating ^(N_g)	C ₀ Static	C _e Dynamic	Speed Rating ^(N_g)
mm/in.		mm/in.	kg/lbs.	N/lbs.	RPM	N/lbs.	RPM	N/lbs.	RPM	N/lbs.	RPM						
9119HX	95 3.7402	145 5.7087	24 0.9449	26 x 12.7 26 x 1/2	1.238 2.73	37700 8470	47400 10600	11300 11300	33500 7540	47400 10600	13560 13560	35600 8000	44700 10100	10200 10200	31700 7120	44700 10100	12240 12240
9120HX	100 3.9370	150 5.9055	24 0.9449	27 x 12.7 27 x 1/2	1.288 2.84	39300 8840	48200 10800	10800 10800	35000 7870	48200 10800	12960 12960	37000 8330	45500 10200	9700 9700	33000 7410	45500 10200	11640 11640
9121HX	105 4.1339	160 6.2992	26 1.0236	28 x 12.7 28 x 1/2	1.674 3.69	40900 9200	48700 110000	10100 10100	36400 8180	48700 110000	12120 12120	38300 8610	46000 10300	9100 9100	34100 7670	46000 10300	10920 10920
9122HX	110 4.3307	170 6.6929	28 1.1024	30 x 12.7 30 x 1/2	2.132 4.70	43800 9840	50400 113000	9500 9500	38900 8760	50400 113000	11400 11400	40800 9180	47500 10700	8560 8560	36300 8170	47500 10700	10270 10270
9124HX	120 4.7244	180 7.0866	28 1.1024	29 x 14.3 29 x 9/16	2.218 4.89	53700 12100	61700 139000	8900 8900	47800 10700	61700 139000	10680 10680	50200 11300	58100 13100	8030 8030	44700 10000	58100 13100	9640 9640

^(N_g) For a single, grease-lubricated, spring-preloaded bearing. This value to be used in permissible operating speed (Sp) calculation.

⁽¹⁾ Width tolerance of preloaded bearing set +0.000/-0.254 mm (+0.0000/-0.0100 in.).

⁽²⁾ ABMA STD 20 (r_{as} max).

WN CONSTRUCTION

- Incorporates low shoulder on non-thrust side of both inner and outer rings.
- Balls separated by one-piece cage piloted against a ground thrust shoulder land of the outer ring.

HIGH-SPEED SEAL OPTION

Available with non-contact seals. Add VV suffix to part number (in place of CR cage designation). Ex: 2MMV9106HXVV SUL.

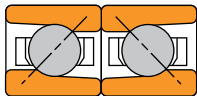
r Rad. ⁽²⁾	Suggested Shoulder Diameters				Shaft Diameter		Mounting Fits		FIXED				FLOATING			
	Shaft		Housing		Max.	Min.	Loose	Tight	Housing Bore (Stationary)		Mounting Fits		Housing Bore (Stationary)		Mounting Fits	
	Max.	Min.	Max.	Min.					Max.	Min.	Tight	Loose	Max.	Min.	Loose	Loose
mm/in.	mm/in.		mm/in.		mm/in.		mm/in.		mm/in.		mm/in.		mm/in.		mm/in.	
1.5 0.059	105.5 4.16	104.8 4.13	135.8 5.35	135.0 5.32	95.005 3.74040	94.995 3.74000	0.005 0.00020	0.013 0.00050	145.009 5.70910	145.000 5.70870	0.000 0.00000	0.018 0.00070	145.021 5.70950	145.011 5.70910	0.030 0.00110	0.011 0.00040
1.5 0.059	110.6 4.36	109.9 4.33	140.8 5.55	140.1 5.52	100.005 3.93720	99.995 3.93680	0.005 0.00020	0.013 0.00050	150.009 5.90590	150.000 5.90550	0.000 0.00000	0.018 0.00070	150.023 5.90640	150.012 5.90600	0.032 0.00120	0.012 0.00050
2.0 0.079	116.5 4.59	115.7 4.56	150.0 5.91	149.2 5.88	105.005 4.13410	104.995 4.13370	0.005 0.00020	0.013 0.00050	160.009 6.29960	160.000 6.29920	0.000 0.00000	0.022 0.00080	160.022 6.30010	160.012 6.29970	0.033 0.00130	0.012 0.00050
2.0 0.079	123.1 4.85	122.3 4.82	158.4 6.24	157.6 6.21	110.005 4.33090	109.995 4.33050	0.005 0.00020	0.013 0.00050	170.010 6.69330	170.000 6.69290	0.000 0.00000	0.020 0.00080	170.022 6.69380	170.012 6.69340	0.032 0.00130	0.012 0.00050
2.0 0.079	133.2 5.25	132.5 5.22	168.3 6.63	167.5 6.60	120.005 4.72460	119.995 4.72420	0.005 0.00020	0.013 0.00050	180.010 7.08700	180.000 7.08660	0.000 0.00000	0.020 0.00080	180.022 7.08750	180.012 7.08710	0.032 0.00130	0.012 0.00050



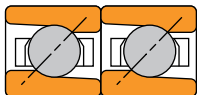
**EXTRA-LIGHT
2MMV9100HX
ISO 10 SERIES**

**DUPLEX
PERFORMANCE DATA**

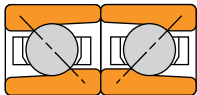
MOUNTING ARRANGEMENTS



**Back-to-Back
DB**



**Tandem
DT**



**Face-to-Face
DF**

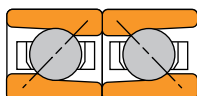
Bearing Number	Preload				Axial Stiffness ⁽¹⁾				Radial Stiffness ⁽¹⁾				Spacer Offsets ⁽¹⁾		
	DUX X-light	DUL Light	DUM Med.	DUH Heavy	X-light	Light	Med.	Heavy	X-light	Light	Med.	Heavy	X-light to Light	Light to Med.	Med. to Heavy
	N lbs.				N/μm 10 ⁶ lbs./in.				N/μm 10 ⁶ lbs./in.				μm in.		
2MMV9100HX	—	20	70	130	—	15.04	23.52	32.08	—	82.03	117.94	147.16	—	9.60	10.16
	—	5	15	30	—	0.086	0.135	0.183	—	0.469	0.674	0.841	—	0.00038	0.00040
2MMV9101HX	—	20	70	130	—	14.41	22.56	30.78	—	86.12	124.07	154.96	—	9.60	10.16
	—	5	15	30	—	0.082	0.129	0.176	—	0.492	0.709	0.886	—	0.00038	0.00040
2MMV9102HX	—	20	70	130	—	16.14	25.08	33.98	—	97.10	140.43	175.63	—	8.64	9.15
	—	5	15	30	—	0.092	0.143	0.194	—	0.555	0.803	1.004	—	0.00034	0.00036
2MMV9103HX	—	20	70	130	—	16.76	25.73	34.53	—	101.49	148.00	185.57	—	8.13	8.64
	—	5	15	30	—	0.096	0.147	0.197	—	0.580	0.846	1.061	—	0.00032	0.00034
2MMV9104HX	20	40	133	270	17.37	22.51	35.15	47.84	105.04	134.87	194.56	243.11	4.57	12.28	12.90
	5	10	30	60	0.099	0.129	0.201	0.274	0.600	0.771	1.112	1.390	0.00018	0.00048	0.00051
2MMV9105HX	20	40	130	270	18.28	24.47	37.67	50.65	110.25	148.16	215.62	270.22	4.06	11.68	12.19
	5	10	30	60	0.104	0.140	0.215	0.290	0.630	0.847	1.233	1.545	0.00016	0.00046	0.00048
2MMV9106HX	40	70	200	400	25.54	29.12	45.23	61.28	154.58	175.20	253.36	316.90	3.21	14.22	14.99
	10	15	45	90	0.146	0.167	0.259	0.350	0.883	1.002	1.449	1.812	0.00013	0.00056	0.00059
2MMV9107HX	40	70	200	400	27.40	31.83	49.16	66.32	165.77	192.30	279.07	349.45	3.00	13.21	13.97
	10	15	45	90	0.156	0.182	0.281	0.379	0.947	1.100	1.596	1.998	0.00012	0.00052	0.00055
2MMV9108HX	40	70	200	400	28.55	33.14	51.07	68.74	172.41	200.51	291.49	365.23	2.88	14.22	13.21
	10	15	45	90	0.163	0.190	0.292	0.393	0.985	1.146	1.667	2.088	0.00011	0.00056	0.00052
2MMV9109HX	40	90	270	530	28.79	37.11	57.16	76.89	170.49	224.52	326.52	409.16	5.33	14.99	16.00
	10	20	60	120	0.164	0.212	0.327	0.440	0.974	1.284	1.867	2.339	0.00021	0.00059	0.00063
2MMV9110HX	40	90	270	530	30.00	38.64	59.38	79.72	176.71	234.02	341.02	427.54	5.08	14.22	15.24
	10	20	60	120	0.171	0.221	0.340	0.456	1.009	1.338	1.950	2.445	0.00020	0.00056	0.00060
2MMV9111HX	75	110	330	670	42.85	51.77	80.07	108.14	258.75	312.41	452.90	566.97	3.75	13.46	14.22
	15	25	75	150	0.245	0.296	0.458	0.618	1.478	1.786	2.590	3.242	0.00015	0.00053	0.00056
2MMV9112HX	75	110	330	670	43.97	53.10	82.01	110.61	265.08	320.78	465.55	582.98	3.66	13.21	13.97
	15	25	75	150	0.251	0.304	0.469	0.632	1.514	1.834	2.662	3.333	0.00014	0.00052	0.00055
2MMV9113HX	75	130	400	800	45.12	58.22	89.90	121.21	268.46	351.81	510.67	639.54	5.08	14.22	15.24
	15	30	90	180	0.258	0.333	0.514	0.693	1.533	2.012	2.920	3.657	0.00020	0.00056	0.00060
2MMV9114HX	90	160	470	930	51.30	63.03	97.26	131.05	307.82	381.09	553.47	693.25	4.66	15.49	16.26
	20	35	105	210	0.293	0.360	0.556	0.749	1.758	2.179	3.165	3.964	0.00018	0.00061	0.00064
2MMV9115HX	90	160	470	930	52.60	64.61	99.54	133.94	314.73	390.85	568.27	712.02	4.54	14.99	16.00
	20	35	105	210	0.300	0.369	0.569	0.766	1.797	2.235	3.249	4.071	0.00018	0.00059	0.00063
2MMV9116HX	110	200	600	1200	56.45	70.15	108.30	146.02	349.49	439.38	638.84	800.38	5.61	17.78	18.80
	25	45	135	270	0.322	0.401	0.619	0.835	1.996	2.512	3.653	4.576	0.00022	0.00070	0.00074
2MMV9117HX	110	220	670	1330	59.49	76.75	118.46	159.68	353.68	463.90	673.59	843.65	6.60	18.03	19.05
	25	50	150	300	0.340	0.439	0.677	0.913	2.020	2.652	3.851	4.824	0.00026	0.00071	0.00075
2MMV9118HX	110	220	670	1330	62.38	80.38	123.74	166.38	368.73	486.55	707.98	887.25	6.35	17.27	18.29
	25	50	150	300	0.356	0.460	0.708	0.951	2.106	2.782	4.048	5.073	0.00025	0.00068	0.00072
2MMV9119HX	130	270	800	1600	65.94	84.95	130.72	175.72	389.41	514.31	748.61	938.25	7.11	19.56	20.83
	30	60	180	360	0.377	0.486	0.747	1.005	2.224	2.941	4.280	5.365	0.00028	0.00077	0.00082
2MMV9120HX	130	270	800	1600	67.55	87.00	133.68	179.46	397.75	526.89	767.79	962.61	6.86	19.30	20.32
	30	60	180	360	0.386	0.497	0.764	1.026	2.271	3.013	4.390	5.504	0.00027	0.00076	0.00080
2MMV9121HX	130	270	800	1600	69.14	88.99	136.58	183.17	406.10	539.23	786.77	986.72	6.60	18.80	20.07
	30	60	180	360	0.395	0.509	0.781	1.047	2.319	3.083	4.498	5.642	0.00026	0.00074	0.00079
2MMV9122HX	160	290	870	1730	76.40	95.76	147.00	197.22	451.65	580.13	846.11	1061.03	6.86	19.05	20.07
	35	65	195	390	0.436	0.548	0.841	1.128	2.579	3.317	4.838	6.067	0.00027	0.00075	0.00079
2MMV9124HX	180	360	1070	2140	79.34	108.67	166.21	222.25	480.39	623.59	910.14	1141.66	7.37	20.57	21.84
	40	80	240	480	0.453	0.621	0.950	1.271	2.743	3.565	5.204	6.528	0.00029	0.00081	0.00086

⁽¹⁾ For DB or DF arrangements only. For other mounting arrangements, contact your Timken representative.

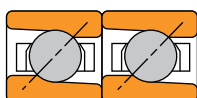
**EXTRA-LIGHT
3MMV9100HX
ISO 10 SERIES**

**DUPLEX
PERFORMANCE DATA**

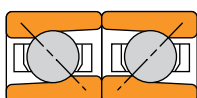
MOUNTING ARRANGEMENTS



**Back-to-Back
DB**



**Tandem
DT**



**Face-to-Face
DF**

Bearing Number	Preload				Axial Stiffness ⁽¹⁾				Radial Stiffness ⁽¹⁾				Spacer Offsets ⁽¹⁾		
	DUX X-light	DUL Light	DUM Med.	DUH Heavy	X-light	Light	Med.	Heavy	X-Light	Light	Med.	Heavy	X-light to Light	Light to Med.	Med. to Heavy
	N lbs.				N/μm 10 ⁹ lbs./in.				N/μm 10 ⁶ lbs./in.				μm in.		
3MMV9100HX	20	45	135	265	28.53	36.54	55.09	72.65	60.85	76.89	110.03	137.02	2.54	7.62	8.13
	5	10	30	60	0.163	0.209	0.315	0.415	0.348	0.440	0.629	0.783	0.00010	0.00030	0.00032
3MMV9101HX	20	45	135	265	29.84	38.09	56.98	74.58	64.50	82.01	117.87	147.20	2.54	7.62	8.13
	5	10	30	60	0.171	0.218	0.326	0.426	0.369	0.469	0.674	0.842	0.00010	0.00030	0.00032
3MMV9102HX	20	45	135	265	33.62	42.87	63.87	83.30	72.48	92.56	133.40	166.80	2.54	6.60	7.11
	5	10	30	60	0.192	0.245	0.365	0.476	0.414	0.529	0.763	0.954	0.00010	0.00026	0.00028
3MMV9103HX	20	45	135	265	35.01	44.56	66.06	85.70	75.19	97.38	141.07	176.82	2.03	6.60	7.11
	5	10	30	60	0.200	0.255	0.378	0.490	0.430	0.557	0.807	1.011	0.00008	0.00026	0.00028
3MMV9104HX	45	90	265	535	46.14	58.91	88.06	115.19	101.49	129.20	185.92	232.09	3.56	9.65	10.67
	10	20	60	120	0.264	0.337	0.504	0.659	0.580	0.739	1.063	1.327	0.00014	0.00038	0.00042
3MMV9105HX	45	90	265	535	49.51	63.14	94.13	122.81	105.90	135.11	194.66	243.29	3.05	9.14	9.65
	10	20	60	120	0.283	0.361	0.538	0.702	0.606	0.773	1.113	1.391	0.00012	0.00036	0.00038
3MMV9106HX	65	135	400	800	60.38	76.97	114.73	149.66	131.07	167.38	241.19	301.70	4.06	11.18	12.19
	15	30	90	180	0.345	0.440	0.656	0.856	0.749	0.957	1.379	1.725	0.00016	0.00044	0.00048
3MMV9107HX	65	135	400	800	66.30	84.46	125.56	163.34	143.33	183.99	265.67	332.66	3.56	10.16	11.18
	15	30	90	180	0.379	0.483	0.718	0.934	0.820	1.052	1.519	1.902	0.00014	0.00040	0.00044
3MMV9108HX	65	135	400	800	69.19	88.08	130.79	169.95	149.12	191.87	277.57	347.53	3.56	9.65	10.67
	15	30	90	180	0.396	0.504	0.748	0.972	0.853	1.097	1.587	1.987	0.00014	0.00038	0.00042
3MMV9109HX	90	175	535	1065	76.94	97.94	145.46	189.07	167.50	215.65	312.02	390.73	4.06	11.68	12.70
	20	40	120	240	0.440	0.560	0.832	1.081	0.958	1.233	1.784	2.234	0.00016	0.00046	0.00050
3MMV9110HX	90	175	535	1065	80.28	102.16	151.53	196.76	174.06	225.10	325.84	408.22	4.06	11.18	12.19
	20	40	120	240	0.459	0.584	0.866	1.125	0.995	1.287	1.863	2.334	0.00016	0.00044	0.00048
3MMV9111HX	110	225	665	1335	107.69	137.19	204.11	265.67	233.14	298.73	431.13	539.57	3.56	10.16	11.18
	25	50	150	300	0.616	0.784	1.167	1.519	1.333	1.708	2.465	3.085	0.00014	0.00040	0.00044
3MMV9112HX	110	225	665	1335	110.61	140.88	209.36	272.49	239.09	306.77	443.20	554.78	3.56	10.16	11.18
	25	50	150	300	0.632	0.806	1.197	1.558	1.367	1.754	2.534	3.172	0.00014	0.00040	0.00044
3MMV9113HX	135	265	800	1600	120.89	153.96	228.94	297.68	262.52	337.21	487.10	609.70	4.06	11.18	12.19
	30	60	180	360	0.691	0.880	1.309	1.702	1.501	1.928	2.785	3.486	0.00016	0.00044	0.00048
3MMV9114HX	155	310	935	1870	132.07	168.17	249.76	324.79	282.99	363.79	525.75	658.32	4.06	11.68	13.21
	35	70	210	420	0.755	0.962	1.428	1.857	1.618	2.080	3.006	3.764	0.00016	0.00046	0.00052
3MMV9115HX	155	310	935	1870	133.90	170.48	253.26	329.16	291.73	375.51	542.89	679.84	4.06	11.68	12.70
	35	70	210	420	0.766	0.975	1.448	1.882	1.668	2.147	3.104	3.887	0.00016	0.00046	0.00050
3MMV9116HX	200	400	1200	2400	150.08	190.99	283.69	368.34	323.91	417.49	603.93	756.44	4.57	13.21	14.73
	45	90	270	540	0.858	1.092	1.622	2.106	1.852	2.387	3.453	4.325	0.00018	0.00052	0.00058
3MMV9117HX	225	445	1335	2670	159.70	203.41	302.23	393.18	345.78	444.25	641.88	803.49	5.08	13.72	15.24
	50	100	300	600	0.913	1.163	1.728	2.248	1.977	2.540	3.670	4.594	0.00020	0.00054	0.00060
3MMV9118HX	225	445	1335	2670	167.66	213.38	316.74	411.36	361.69	466.28	674.76	845.12	4.57	13.21	14.73
	50	100	300	600	0.959	1.220	1.811	2.352	2.068	2.666	3.858	4.832	0.00018	0.00052	0.00058
3MMV9119HX	265	535	1600	3200	177.87	226.32	335.98	436.20	381.46	492.17	712.19	892.16	5.08	15.24	16.76
	60	120	360	720	1.017	1.294	1.921	2.494	2.181	2.814	4.072	5.101	0.00020	0.00060	0.00066
3MMV9120HX	265	535	1600	3200	182.42	232.09	344.03	446.34	390.03	504.41	730.56	915.43	5.08	14.73	16.26
	60	120	360	720	1.043	1.327	1.967	2.552	2.230	2.884	4.177	5.234	0.00020	0.00058	0.00064
3MMV9121HX	265	535	1600	3200	186.79	237.51	352.07	456.49	398.25	516.48	748.57	938.34	5.08	14.22	15.75
	60	120	360	720	1.068	1.358	2.013	2.610	2.277	2.953	4.280	5.365	0.00020	0.00056	0.00062
3MMV9122HX	290	575	1735	3470	200.96	255.53	378.83	491.29	428.85	555.48	805.06	1009.00	5.08	14.22	15.75
	65	130	390	780	1.149	1.461	2.166	2.809	2.452	3.176	4.603	5.769	0.00020	0.00056	0.00062
3MMV9124HX	355	710	2135	4270	217.93	277.22	411.02	533.10	468.56	606.90	879.22	1101.70	5.59	16.26	17.78
	80	160	480	960	1.246	1.585	2.350	3.048	2.679	3.470	5.027	6.299	0.00022	0.00064	0.00070

⁽¹⁾ For DB or DF arrangements only. For other mounting arrangements, contact your Timken representative.

**EXTRA-LIGHT 2MMV9100HX
ISO 10 SERIES**

SPEED CAPABILITY DATA

Bearing Number	Grease Capacity ⁽¹⁾				Operating Speeds ⁽⁴⁾ (DB Mounting) ⁽⁵⁾					
	Low Speed ⁽²⁾		High Speed ⁽³⁾		Grease			Oil		
	25%	40%	15%	20%	DUL	DUM	DUH	DUL	DUM	DUH
	grams		grams		RPM			RPM		
2MMV9100HX	0.30	0.40	0.20	0.20	70400	52800	35200	119700	89800	59800
2MMV9101HX	0.30	0.50	0.20	0.20	63100	47300	31600	107300	80400	53700
2MMV9102HX	0.40	0.70	0.30	0.30	51400	38600	25700	87400	65600	43700
2MMV9103HX	0.60	0.90	0.30	0.40	47100	35300	23600	80100	60000	40100
2MMV9104HX	1.00	1.60	0.60	0.80	39100	29300	19600	66500	49800	33300
2MMV9105HX	1.20	1.90	0.70	0.90	33400	25100	16700	56800	42700	28400
2MMV9106HX	1.70	2.70	1.00	1.30	27900	20900	14000	47400	35500	23800
2MMV9107HX	2.10	3.40	1.30	1.70	23800	17900	11900	40500	30400	20200
2MMV9108HX	2.70	4.30	1.50	2.10	21000	15700	10500	35700	26700	17900
2MMV9109HX	3.50	5.60	2.10	2.80	19100	14300	9600	32500	24300	16300
2MMV9110HX	3.90	6.20	2.30	3.10	17400	13100	8700	29600	22300	14800
2MMV9111HX	4.60	7.30	2.50	3.30	15000	11200	7500	25500	19000	12800
2MMV9112HX	4.90	7.90	2.70	3.60	13900	10400	7000	23600	17700	11900
2MMV9113HX	5.50	8.80	3.10	4.10	13100	9800	6600	22300	16700	11200
2MMV9114HX	7.30	11.70	4.10	5.40	12000	9000	6000	20400	15300	10200
2MMV9115HX	7.70	12.40	4.30	5.70	11400	8500	5700	19400	14500	9700
2MMV9116HX	10.30	16.50	5.80	7.70	10600	7900	5300	18000	13400	9000
2MMV9117HX	10.80	17.30	6.10	8.10	10100	7600	5000	17200	12900	8500
2MMV9118HX	13.20	21.00	7.20	9.70	9400	7000	4700	16000	11900	8000
2MMV9119HX	14.60	23.40	8.30	11.10	9000	6800	4500	15300	11600	7700
2MMV9120HX	15.20	24.40	8.60	11.50	8600	6500	4300	14600	11100	7300
2MMV9121HX	18.30	29.30	10.20	13.60	8100	6100	4000	13800	10400	6800
2MMV9122HX	21.50	34.30	11.80	15.70	7600	5700	3800	12900	9700	6500
2MMV9124HX	24.40	39.10	13.70	18.30	7100	5300	3600	12100	9000	6100

⁽¹⁾ Fill weights based on specific gravity of 0.99.

⁽²⁾ Low speed <500000 dN.

⁽³⁾ High speed ≥ 500000 dN.

⁽⁴⁾ For ceramic ball complements, use 120 percent of speeds shown.

⁽⁵⁾ For other mounting arrangement configurations, refer to the engineering section on permissible speed calculation methods.

EXTRA-LIGHT 3MMV9100HX
ISO 10 SERIES

SPEED CAPABILITY DATA

Bearing Number	Grease Capacity ⁽¹⁾				Operating Speeds ⁽⁴⁾ (DB Mounting) ⁽⁵⁾					
	Low Speed ⁽²⁾		High Speed ⁽³⁾		Grease			Oil		
	25%	40%	15%	20%	DUL	DUM	DUH	DUL	DUM	DUH
	grams		grams		RPM			RPM		
3MMV9100HX	0.30	0.40	0.20	0.20	61760	46320	30880	104220	81060	53850
3MMV9101HX	0.30	0.50	0.20	0.20	56800	42600	28400	95850	74550	49525
3MMV9102HX	0.40	0.70	0.30	0.30	46320	34740	23160	78165	60795	40385
3MMV9103HX	0.60	0.90	0.30	0.40	42400	31800	21200	71550	55650	36970
3MMV9104HX	1.00	1.60	0.60	0.80	35200	26400	17600	59400	46200	30690
3MMV9105HX	1.20	1.90	0.70	0.90	29280	21960	14640	49410	38430	25530
3MMV9106HX	1.70	2.70	1.00	1.30	24160	18120	12080	40770	31710	21065
3MMV9107HX	2.10	3.40	1.30	1.70	21440	16080	10720	36180	28140	18690
3MMV9108HX	2.70	4.30	1.50	2.10	18880	14160	9440	31860	24780	16460
3MMV9109HX	3.50	5.60	2.10	2.80	17200	12900	8600	29025	22575	15000
3MMV9110HX	3.90	6.20	2.30	3.10	15680	11760	7840	26460	20580	13675
3MMV9111HX	4.60	7.30	2.50	3.30	13520	10140	6760	22815	17745	11788
3MMV9112HX	4.90	7.90	2.70	3.60	12560	9420	6280	21195	16485	10950
3MMV9113HX	5.50	8.80	3.10	4.10	11840	8880	5920	19980	15540	10325
3MMV9114HX	7.30	11.70	4.10	5.40	10800	8100	5400	18225	14175	9415
3MMV9115HX	7.70	12.40	4.30	5.70	10160	7620	5080	17145	13335	8860
3MMV9116HX	10.30	16.50	5.80	7.70	9520	7140	4760	16065	12495	8300
3MMV9117HX	10.80	17.30	6.10	8.10	9040	6780	4520	15255	11865	7880
3MMV9118HX	13.20	21.00	7.20	9.70	8400	6300	4200	14175	11025	7325
3MMV9119HX	14.60	23.40	8.30	11.10	8160	6120	4080	13770	10710	7115
3MMV9120HX	15.20	24.40	8.60	11.50	7760	5820	3880	13095	10185	6770
3MMV9121HX	18.30	29.30	10.20	13.60	7280	5460	3640	12285	9555	6350
3MMV9122HX	21.50	34.30	11.80	15.70	6850	5135	3425	11560	8990	5970
3MMV9124HX	24.40	39.10	13.70	18.30	6425	4820	3210	10840	8430	5600

⁽¹⁾ Fill weights based on specific gravity of 0.99.

⁽²⁾ Low speed <500000 dN.

⁽³⁾ High speed ≥ 500000 dN.

⁽⁴⁾ For ceramic ball complements, use 120 percent of speeds shown.

⁽⁵⁾ For other mounting arrangement configurations, refer to the engineering section on permissible speed calculation methods.

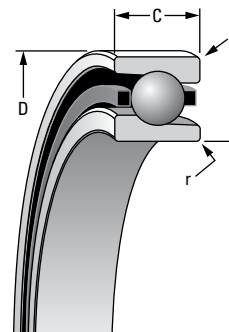


EXTRA-LIGHT ISO 10 SERIES
2(3)MMV99100WN

SUPER PRECISION MM

Running accuracy and performance meet ABEC 9 (ISO P2) levels.

Other features conform to ABEC 7 (ISO P4) requirements.



Bearing Number 2MM or 3MM	d Bore	D O.D.	C Width ⁽¹⁾	Ball Qty. x Dia.	Bearing Wt.	(2MM) LOAD RATINGS						(3MM) LOAD RATINGS					
						Steel Ball			Ceramic Ball			Steel Ball			Ceramic Ball		
						C ₀ Static	C _e Dynamic	Speed Rating ^(N_g)	C ₀ Static	C _e Dynamic	Speed Rating ^(N_g)	C ₀ Static	C _e Dynamic	Speed Rating ^(N_g)	C ₀ Static	C _e Dynamic	Speed Rating ^(N_g)
mm/in.		mm/in.	kg/lbs.	N/lbs.		RPM	N/lbs.		RPM	N/lbs.		RPM	N/lbs.		RPM		
99101WN	12	28	8	9 x 4.76	0.019	1740	4540	75800	1550	4540	90960	1670	4360	68200	1490	4360	81840
	0.4724	1.1024	0.3150	9 x 3/16	0.04	390	1020	75800	360	1020	90960	380	980	68200	340	980	81840
99102WN	15	32	9	11 x 4.76	0.028	2240	5220	64300	1990	5220	77160	2140	5000	57900	1900	5000	69480
	0.5906	1.2598	0.3543	11 x 3/16	0.06	500	1170	64300	450	1170	77160	480	1120	57900	430	1120	69480
99103WN	17	35	10	13 x 4.76	0.038	2510	5530	56900	2230	5530	68280	2400	5280	51200	2140	5280	61440
	0.6693	1.3780	0.3937	13 x 3/16	0.08	560	1240	56900	500	1240	68280	540	1190	51200	480	1190	61440
99104WN	20	42	12	11 x 6.35	0.064	4690	9760	43800	4180	9760	52560	4470	9310	39400	3980	9310	47280
	0.7874	1.6535	0.4724	11 x 1/4	0.14	1050	2190	43800	940	2190	52560	1000	2090	39400	890	2090	47280
99105WN	25	47	12	13 x 6.35	0.074	5800	10900	36500	5160	10900	43800	5510	10300	32900	4900	10300	39480
	0.9843	1.8504	0.4724	13 x 1/4	0.16	1300	2450	36500	1160	2450	43800	1240	2330	32900	1100	2330	39480
99106WN	30	55	13	16 x 6.35	0.116	7460	12300	29500	6640	12300	35400	7060	11600	26600	6280	11600	31920
	1.1811	2.1654	0.5118	16 x 1/4	0.25	1680	2770	29500	1490	2770	35400	1590	2620	26600	1410	2620	31920
99107WN	35	62	14	21 x 5.56	0.167	7840	11100	25300	6980	11100	30360	7440	10500	22800	6620	10500	27360
	1.3780	2.4409	0.5512	21 x 7/32	0.37	1760	2510	25300	1570	2510	30360	1670	2360	22800	1490	2360	27360
99108WN	40	68	15	24 x 5.56	0.207	9150	11900	22000	8140	11900	26400	8590	11200	19800	7650	11200	23760
	1.5748	2.6772	0.5906	24 x 7/32	0.46	2060	2670	22000	1830	2670	26400	1930	2510	19800	1720	2510	23760
99109WN	45	75	16	23 x 6.35	0.259	11400	14800	20200	10200	14800	24240	10700	14000	18200	9560	14000	21840
	1.7717	2.9528	0.6299	23 x 1/4	0.57	2570	3340	20200	2280	3340	24240	2410	3140	18200	2150	3140	21840
99110WN	50	80	16	25 x 6.35	0.281	12500	15400	18500	11100	15400	22200	11700	14500	16700	10400	14500	20040
	1.9685	3.1496	0.6299	25 x 1/4	0.62	2810	3470	18500	2500	3470	22200	2630	3260	16700	2340	3260	20040
99111WN	55	90	18	25 x 7.14	0.417	15800	19100	16600	14100	19100	19920	14800	18000	14900	13200	18000	17880
	2.1654	3.5433	0.7087	25 x 9/32	0.92	3550	4290	16600	3160	4290	19920	3330	4040	14900	2960	4040	17880
99112WN	60	95	18	26 x 7.14	0.445	16400	19300	15400	14600	19300	18480	15300	18200	13900	13600	18200	16680
	2.3622	3.7402	0.7087	26 x 9/32	0.98	3700	4340	15400	3290	4340	18480	3440	4080	13900	3060	4080	16680
99113WN	65	100	18	28 x 7.14	0.474	17600	20000	14400	15700	20000	17280	16400	18800	13000	14600	18800	15600
	2.5591	3.9370	0.7087	28 x 9/32	1.05	3960	4500	14400	3520	4500	17280	3680	4230	13000	3280	4230	15600
99114WN	70	110	20	28 x 7.94	0.665	21700	24300	13200	19300	24300	15840	20300	22900	11900	18000	22900	14280
	2.7559	4.3307	0.7874	28 x 5/16	1.47	4890	5450	13200	4350	5540	15840	4569	5140	11900	4060	5140	14280
99115WN	75	115	20	30 x 7.94	0.699	23100	25000	12300	20600	25000	14760	21600	23500	11100	19200	23500	13320
	2.9528	4.5276	0.7874	30 x 5/16	1.54	5200	5620	12300	4630	5620	14760	4850	5290	11100	4320	5290	13320
99116WN	80	125	22	29 x 8.73	0.944	27200	29300	11600	24200	29300	13920	25300	27500	10400	22500	27500	12480
	3.1496	4.9213	0.8661	29 x 11/32	2.08	6110	6580	11600	5440	6580	13920	5690	6190	10400	5070	6190	12480
99117WN	85	130	22	31 x 8.73	0.991	28900	30200	11000	25700	30200	13200	26900	28400	9900	23900	28400	11880
	3.3465	5.1181	0.8661	31 x 11/32	2.18	6490	6780	11000	5770	6780	13200	6040	6380	9900	5380	6380	11880
99118WN	90	140	24	28 x 10.32	1.266	36100	39000	10400	32700	39000	12480	34400	36800	9400	30600	36800	11280
	3.5433	5.5118	0.9449	28 x 13/32	2.79	8270	8780	10400	7360	8780	13480	7720	8280	9400	6870	8280	11280
99119WN	95	145	24	29 x 10.32	1.303	37900	39600	9900	33800	39600	11880	35400	37300	8900	31500	37300	10680
	3.7402	5.7087	0.9449	29 x 13/32	2.87	8530	8890	9900	7590	8890	11880	7970	8390	8900	7090	8390	10680

^(N_g) For a single, grease-lubricated, spring-preloaded bearing. This value to be used in permissible operating speed (Sp) calculation.

⁽¹⁾ Width tolerance of preloaded bearing set +0.000/-0.254 mm (+0.0000/-0.0100 in.).

⁽²⁾ ABMA STD 20 (r_{as} max).

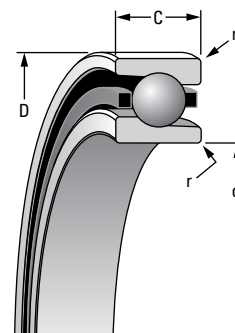
WN CONSTRUCTION

- Incorporates low shoulder on non-thrust side of both inner and outer rings.
- Balls separated by one-piece cage piloted against a ground thrust shoulder land of the outer ring.

r Rad. ⁽²⁾	Suggested Shoulder Diameters				Shaft Diameter		Mounting Fits		FIXED				FLOATING			
									Housing Bore (Stationary)		Mounting Fits		Housing Bore (Stationary)		Mounting Fits	
	Max.	Min.	Max.	Min.	Max.	Min.	Loose	Tight	Max.	Min.	Tight	Loose	Max.	Min.	Loose	Loose
mm/in.	mm/in.		mm/in.		mm/in.		mm/in.		mm/in.		mm/in.		mm/in.		mm/in.	
0.3	15.6	15.4	24.6	24.4	12.000	11.995	0.005	0.004	28.005	28.000	0.000	0.010	28.010	28.005	0.015	0.005
0.012	0.62	0.61	0.99	0.98	0.47240	0.47220	0.00020	0.00015	1.10260	1.10240	0.00000	0.00040	1.10280	1.10260	0.00060	0.00020
0.3	19.1	18.9	28.1	27.9	15.000	14.995	0.005	0.004	32.005	32.000	0.000	0.011	32.010	32.005	0.016	0.005
0.012	0.76	0.75	1.13	1.12	0.59060	0.59040	0.00020	0.00015	1.26000	1.25980	0.00000	0.00045	1.26020	1.26000	0.00070	0.00020
0.3	21.6	21.4	30.6	30.4	17.000	16.995	0.005	0.004	35.006	35.000	0.000	0.012	35.010	35.005	0.016	0.005
0.012	0.86	0.85	1.23	1.22	0.66930	0.66910	0.00020	0.00015	1.37830	1.37800	0.00000	0.00050	1.37840	1.37820	0.00070	0.00020
0.6	25.1	24.9	37.2	37.0	20.000	19.995	0.005	0.005	42.006	42.000	0.000	0.012	42.010	42.005	0.016	0.005
0.024	0.99	0.98	1.49	1.48	0.78740	0.78720	0.00020	0.00020	1.65380	1.65350	0.00000	0.00050	1.65390	1.65370	0.00070	0.00020
0.6	30.1	29.9	42.2	42.0	25.000	24.995	0.005	0.005	47.006	47.000	0.000	0.012	47.012	47.007	0.018	0.007
0.024	1.19	1.18	1.69	1.68	0.98430	0.98410	0.00020	0.00020	1.85070	1.85040	0.00000	0.00050	1.85090	1.85070	0.00080	0.00030
1.0	36.6	36.4	48.7	48.5	30.000	29.995	0.005	0.005	55.008	55.000	0.000	0.015	55.012	55.007	0.019	0.007
0.039	1.44	1.43	1.94	1.93	1.18110	1.18090	0.00020	0.00020	2.16570	2.16540	0.00000	0.00060	2.16590	2.16570	0.00080	0.00030
1.0	43.3	43.1	53.9	53.7	35.000	34.995	0.005	0.006	62.008	62.000	0.000	0.015	62.012	62.007	0.019	0.007
0.039	1.71	1.70	2.15	2.14	1.37800	1.37780	0.00020	0.00025	2.44120	2.44090	0.00000	0.00060	2.44140	2.44120	0.00080	0.00030
1.0	48.8	48.6	59.4	59.2	40.000	39.995	0.005	0.006	68.008	68.000	0.000	0.015	68.012	68.007	0.019	0.007
0.039	1.93	1.92	2.36	2.35	1.57480	1.57460	0.00020	0.00025	2.67750	2.67720	0.00000	0.00060	2.67770	2.67750	0.00080	0.00030
1.0	54.1	53.9	66.2	66.0	45.000	44.995	0.005	0.006	75.008	75.000	0.000	0.015	75.014	75.009	0.022	0.009
0.039	2.13	2.12	2.63	2.62	1.77170	1.77150	0.00020	0.00025	2.95310	2.95280	0.00000	0.00060	2.95330	2.95310	0.00080	0.00030
1.0	59.1	58.9	71.2	71.0	50.000	49.995	0.005	0.006	80.008	80.000	0.000	0.015	80.012	80.008	0.020	0.008
0.039	2.33	2.32	2.83	2.82	1.96850	1.96830	0.00020	0.00025	3.14990	3.14960	0.00000	0.00060	3.15010	3.14990	0.00080	0.00030
1.0	65.8	65.6	79.4	79.2	55.000	54.995	0.005	0.007	90.008	90.000	0.000	0.016	90.015	90.007	0.023	0.007
0.039	2.59	2.58	3.16	3.15	2.16540	2.16520	0.00020	0.00030	3.54360	3.54330	0.00000	0.00060	3.54390	3.54360	0.00090	0.00030
1.0	70.8	70.6	84.4	84.2	60.000	59.995	0.005	0.007	95.008	95.000	0.000	0.016	95.016	95.009	0.024	0.009
0.039	2.79	2.78	3.35	3.34	2.36220	2.36200	0.00020	0.00030	3.74050	3.74020	0.00000	0.00060	3.74080	3.74050	0.00090	0.00030
1.0	75.8	75.6	89.4	89.2	65.000	64.995	0.005	0.007	100.008	100.000	0.000	0.016	100.016	100.009	0.024	0.009
0.039	2.99	2.98	3.55	3.54	2.55910	2.55890	0.00020	0.00030	3.93730	3.93700	0.00000	0.00060	3.93770	3.93740	0.00100	0.00040
1.0	82.5	82.3	97.7	97.5	70.000	69.995	0.005	0.007	110.008	110.000	0.000	0.016	110.018	110.010	0.025	0.010
0.039	3.25	3.24	3.88	3.87	2.75590	2.75570	0.00020	0.00030	4.33100	4.33070	0.00000	0.00060	4.33140	4.33110	0.00100	0.00040
1.0	87.5	87.3	102.7	102.5	75.005	74.995	0.005	0.012	115.008	115.000	0.000	0.016	115.019	115.011	0.026	0.010
0.039	3.45	3.44	4.07	4.06	2.95300	2.95260	0.00020	0.00050	4.52790	4.52760	0.00000	0.00060	4.52830	4.52800	0.00100	0.00040
1.0	94.2	94.0	111.0	110.8	80.005	79.995	0.005	0.012	125.008	125.000	0.000	0.017	125.021	125.011	0.030	0.011
0.039	3.71	3.70	4.40	4.39	3.14980	3.14940	0.00020	0.00050	4.92160	4.92130	0.00000	0.00070	4.92210	4.92170	0.00120	0.00040
1.0	99.2	99.0	116.0	115.8	85.005	84.995	0.005	0.012	130.009	130.000	0.000	0.018	130.020	130.010	0.029	0.010
0.039	3.91	3.90	4.60	4.59	3.34670	3.34630	0.00020	0.00050	5.11850	5.11810	0.00000	0.00070	5.11890	5.11850	0.00110	0.00040
1.5	105.1	104.9	125.1	124.9	90.005	89.995	0.005	0.013	140.009	140.000	0.000	0.018	140.020	140.010	0.029	0.010
0.059	4.14	4.13	4.95	4.94	3.54350	3.54310	0.00020	0.00050	5.51220	5.51180	0.00000	0.00070	5.51260	5.51220	0.00110	0.00040
1.5	110.1	109.9	130.1	129.9	95.005	94.995	0.005	0.013	145.009	145.000	0.000	0.018	145.021	145.011	0.030	0.011
0.059	4.34	4.33	5.15	5.14	3.74040	3.74000	0.00020	0.00050	5.70910	5.70870	0.00000	0.00070	5.70950	5.70910	0.00110	0.00040

Continued on next page.

EXTRA-LIGHT ISO 10 SERIES
2(3)MMV99100WN – continued



SUPER PRECISION MM

Running accuracy and performance meet ABEC 9 (ISO P2) levels.
 Other features conform to ABEC 7 (ISO P4) requirements.

Bearing Number 2MM or 3MM	d Bore	D O.D.	C Width ⁽¹⁾	Ball Qty. x Dia.	Bearing Wt.	(2MM) LOAD RATINGS						(3MM) LOAD RATINGS					
						Steel Ball			Ceramic Ball			Steel Ball			Ceramic Ball		
						C ₀ Static	C _e Dynamic	Speed Rating ^(N_g)	C ₀ Static	C _e Dynamic	Speed Rating ^(N_g)	C ₀ Static	C _e Dynamic	Speed Rating ^(N_g)	C ₀ Static	C _e Dynamic	Speed Rating ^(N_g)
	mm/in.	mm/in.	mm/in.	mm/in.	kg/lbs.	N/lbs.	RPM	N/lbs.	RPM	N/lbs.	RPM	N/lbs.	RPM	N/lbs.	RPM		
99120WN	100 3.9370	150 5.9055	24 0.9449	31 x 10.32 31 x 13/32	1.374 3.03	40400 9070	40900 9190	9400 9400	35900 8080	40900 9190	11280 11280	37700 8480	38500 8660	8500 8500	33600 7540	38500 8660	10200 10200
99121WN	105 4.1339	160 6.2992	26 1.0236	30 x 11.11 30 x 7/16	1.729 3.81	45400 10200	45900 10300	8900 8900	40400 9080	45900 10300	10680 10680	42400 9540	43400 9750	8000 8000	37800 8490	43400 9750	9600 9600
99122WN	110 4.3307	170 6.6929	28 1.1024	30 x 11.91 30 x 15/32	2.188 4.82	52100 11700	52200 11700	8500 8500	46400 10400	52200 11700	10200 10200	48800 11000	49300 11100	7700 7700	43400 9760	49300 11100	8880 8880
99124WN	120 4.7244	180 7.0866	28 1.1024	32 x 11.91 32 x 15/32	2.343 5.17	55200 12400	53500 12000	7900 7900	49200 11100	53500 12000	9480 9480	51700 11600	50600 11400	7100 7100	46000 10300	50600 11400	8520 8520
99126WN	130 5.1181	200 7.8740	33 1.2992	32 x 13.49 32 x 17/32	3.563 7.85	71200 16000	67500 15200	7100 7100	63400 14300	67500 15200	8520 8520	66600 15000	63700 14300	6400 6400	59200 13300	63700 14300	7680 7680
99128WN	140 5.5118	210 8.2677	33 1.2992	34 x 13.49 34 x 17/32	3.776 8.32	75200 16900	69300 15600	6600 6600	67000 15100	69300 15600	7920 7920	70300 15800	65300 14700	5900 5900	62600 14100	65300 14700	7080 7080
99130WN	150 5.9055	225 8.8583	35 1.3780	34 x 15.08 34 x 19/32	4.509 9.94	91500 20600	83800 18800	6200 6200	81400 18300	83800 18800	7440 7440	85600 19300	79100 17800	5600 5600	76200 17100	79100 17800	6720 6720

^(N_g) For a single, grease-lubricated, spring-preloaded bearing. This value to be used in permissible operating speed (Sp) calculation.

⁽¹⁾ Width tolerance of preloaded bearing set +0.000/-0.254 mm (+0.0000/-0.0100 in.).

⁽²⁾ ABMA STD 20 (r_{as} max).

WN CONSTRUCTION

- Incorporates low shoulder on non-thrust side of both inner and outer rings.
- Balls separated by one-piece cage piloted against a ground thrust shoulder land of the outer ring.

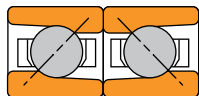
r Rad. ⁽²⁾	Suggested Shoulder Diameters				Shaft Diameter		Mounting Fits		FIXED				FLOATING			
	Shaft		Housing		Max.	Min.	Loose	Tight	Housing Bore (Stationary)		Mounting Fits		Housing Bore (Stationary)		Mounting Fits	
	Max.	Min.	Max.	Min.					Max.	Min.	Tight	Loose	Max.	Min.	Loose	Loose
mm/in.	mm/in.		mm/in.		mm/in.		mm/in.		mm/in.		mm/in.		mm/in.		mm/in.	
1.5 0.059	115.1 4.54	114.9 4.53	135.1 5.35	134.9 5.34	100.005 3.93720	99.995 3.93680	0.005 0.00020	0.013 0.00050	150.009 5.90590	150.000 5.90550	0.000 0.00000	0.018 0.00070	150.023 5.90640	150.012 5.90600	0.032 0.00120	0.012 0.00050
2.0 0.079	121.8 4.80	121.6 4.79	143.4 5.67	143.2 5.66	105.005 4.13410	104.995 4.13370	0.005 0.00020	0.013 0.00050	160.009 6.29960	160.000 6.29920	0.000 0.00000	0.022 0.00080	160.022 6.30010	160.012 6.29970	0.033 0.00130	0.012 0.00050
2.0 0.079	128.5 5.06	128.3 5.05	151.7 6.00	151.5 5.99	110.005 4.33090	109.995 4.33050	0.005 0.00020	0.013 0.00050	170.010 6.69330	170.000 6.69290	0.000 0.00000	0.020 0.00080	170.022 6.69380	170.012 6.69340	0.032 0.00130	0.012 0.00050
2.0 0.079	138.5 5.46	138.3 5.45	161.7 6.39	161.5 6.38	120.005 4.72460	119.995 4.72420	0.005 0.00020	0.013 0.00050	180.010 7.08700	180.000 7.08660	0.000 0.00000	0.020 0.00080	180.022 7.08750	180.012 7.08710	0.032 0.00130	0.012 0.00050
2.0 0.079	151.9 5.98	151.7 5.97	178.3 7.05	178.1 7.04	130.005 5.11830	129.995 5.11790	0.005 0.00020	0.015 0.00060	200.011 7.87450	200.000 7.87400	0.000 0.00000	0.022 0.00090	200.025 7.87500	200.015 7.87460	0.036 0.00150	0.015 0.00060
2.0 0.079	161.9 6.38	161.7 6.37	188.3 7.44	188.1 7.43	140.005 5.51200	139.995 5.51160	0.005 0.00020	0.015 0.00060	210.011 8.26820	210.000 8.26770	0.000 0.00000	0.022 0.00090	210.025 8.26870	210.015 8.26830	0.036 0.00150	0.015 0.00060
2.0 0.079	172.8 6.81	172.6 6.80	202.4 8.00	202.2 7.99	150.005 5.90570	149.995 5.90530	0.005 0.00020	0.015 0.00060	225.011 8.85880	225.000 8.85830	0.000 0.00000	0.022 0.00090	225.025 8.85930	225.015 8.85890	0.036 0.00150	0.015 0.00060



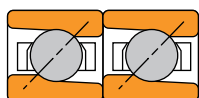
**EXTRA-LIGHT
2MMV99100WN
ISO 10 SERIES**

**DUPLEX
PERFORMANCE DATA**

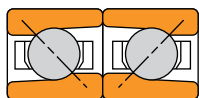
MOUNTING ARRANGEMENTS



**Back-to-Back
DB**



**Tandem
DT**



**Face-to-Face
DF**

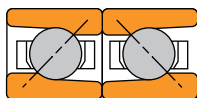
Bearing Number	Preload				Axial Stiffness ⁽¹⁾				Radial Stiffness ⁽¹⁾				Spacer Offsets ⁽¹⁾		
	DUX X-light	DUL Light	DUM Med.	DUH Heavy	X-light	Light	Med.	Heavy	X-light	Light	Med.	Heavy	X-light to Light	Light to Med.	Med. to Heavy
	N lbs.				N/μm 10 ⁶ lbs./in.				N/μm 10 ⁶ lbs./in.				μm in.		
2MMV99101WN	—	20	40	90	—	13.47	17.84	24.14	—	85.08	107.19	134.02	—	5.59	8.38
	—	5	10	20	—	0.077	0.102	0.138	—	0.486	0.612	0.765	—	0.00022	0.00033
2MMV99102WN	—	20	40	90	—	15.22	20.11	27.11	—	89.72	113.86	139.92	—	5.08	7.62
	—	5	10	20	—	0.087	0.115	0.155	—	0.513	0.651	0.800	—	0.00020	0.00030
2MMV99103WN	—	20	40	90	—	16.97	22.21	29.73	—	99.69	127.15	156.71	—	4.57	6.86
	—	5	10	20	—	0.097	0.127	0.170	—	0.570	0.727	0.896	—	0.00018	0.00027
2MMV99104WN	20	40	90	180	17.14	22.39	29.91	40.75	105.95	135.97	171.45	214.48	4.57	6.86	10.16
	5	10	20	40	0.098	0.128	0.171	0.233	0.605	0.776	0.979	1.225	0.00018	0.00027	0.00040
2MMV99105WN	20	70	130	270	21.51	29.21	39.18	53.87	116.89	174.26	219.05	273.41	7.32	7.87	11.43
	5	15	30	60	0.123	0.167	0.224	0.308	0.667	0.995	1.251	1.561	0.00029	0.00031	0.00045
2MMV99106WN	20	70	130	270	24.49	33.06	44.07	60.17	131.40	199.92	251.98	315.13	6.44	6.86	10.16
	5	15	30	60	0.140	0.189	0.252	0.344	0.750	1.142	1.439	1.800	0.00025	0.00027	0.00040
2MMV99107WN	40	90	180	360	33.41	44.07	59.12	81.15	196.70	249.95	314.01	391.80	4.57	6.86	10.16
	10	20	40	80	0.191	0.252	0.338	0.464	1.123	1.427	1.793	2.237	0.00018	0.00027	0.00040
2MMV99108WN	70	110	220	440	39.00	52.12	70.13	96.72	214.10	294.35	369.42	460.55	6.00	7.37	10.67
	15	25	50	100	0.223	0.298	0.401	0.553	1.223	1.681	2.110	2.630	0.00024	0.00029	0.00042
2MMV99109WN	70	130	270	530	41.45	54.74	73.81	101.79	253.28	321.31	403.31	502.83	5.59	8.38	12.19
	15	30	60	120	0.237	0.313	0.422	0.582	1.446	1.835	2.303	2.871	0.00022	0.00033	0.00048
2MMV99110WN	70	130	270	530	43.55	57.54	77.31	106.34	267.19	339.63	426.72	532.43	5.33	7.87	11.68
	15	30	60	120	0.249	0.329	0.442	0.608	1.526	1.939	2.437	3.040	0.00021	0.00031	0.00046
2MMV99111WN	90	180	360	710	51.07	67.16	90.25	124.35	303.58	385.56	484.27	604.09	6.10	9.14	13.21
	20	40	80	160	0.292	0.384	0.516	0.711	1.734	2.202	2.765	3.450	0.00024	0.00036	0.00052
2MMV99112WN	90	180	360	710	52.30	68.74	92.35	126.80	311.29	395.75	497.28	620.55	5.84	8.89	12.95
	20	40	80	160	0.299	0.393	0.528	0.725	1.778	2.260	2.840	3.544	0.00023	0.00035	0.00051
2MMV99113WN	110	220	440	890	59.64	78.71	106.16	146.74	353.56	447.95	561.95	700.29	6.35	9.65	13.97
	25	50	100	200	0.341	0.450	0.607	0.839	2.019	2.558	3.209	3.999	0.00025	0.00038	0.00055
2MMV99114WN	110	220	440	890	62.26	81.68	109.14	149.36	361.67	460.75	579.51	723.72	6.10	9.40	13.72
	25	50	100	200	0.356	0.467	0.624	0.854	2.065	2.631	3.309	4.133	0.00024	0.00037	0.00054
2MMV99115WN	130	270	530	1070	69.61	91.65	122.95	168.95	403.77	512.83	644.16	803.61	6.60	9.91	14.73
	30	60	120	240	0.398	0.524	0.703	0.966	2.306	2.928	3.678	4.589	0.00026	0.00039	0.00058
2MMV99116WN	160	310	620	1250	0.17	95.67	128.55	177.00	432.62	549.28	689.78	860.34	7.37	11.18	11.18
	35	70	140	280	0.001	0.547	0.735	1.012	2.470	3.137	3.939	4.913	0.00029	0.00044	0.00044
2MMV99117WN	180	360	710	1420	79.58	105.11	141.67	195.36	467.02	592.44	743.74	927.44	7.62	11.43	16.76
	40	80	160	320	0.455	0.601	0.810	1.117	2.667	3.383	4.247	5.296	0.00030	0.00045	0.00066
2MMV99118WN	200	400	800	1600	80.63	106.16	142.54	196.06	479.96	610.45	767.27	957.71	8.64	12.95	18.80
	45	90	180	360	0.461	0.607	0.815	1.121	2.741	3.486	4.381	5.469	0.00034	0.00051	0.00074
2MMV99119WN	200	400	800	1600	82.38	108.44	145.34	199.74	490.79	624.83	785.67	980.99	8.38	12.70	12.70
	45	90	180	360	0.471	0.620	0.831	1.142	2.803	3.568	4.487	5.602	0.00033	0.00050	0.00050
2MMV99120WN	220	440	890	1780	89.37	117.71	158.11	217.58	532.07	676.67	850.46	1061.51	8.64	12.95	19.05
	50	100	200	400	0.511	0.673	0.904	1.244	3.038	3.864	4.856	6.062	0.00034	0.00051	0.00075
2MMV99121WN	240	490	980	1960	94.10	123.83	165.81	229.99	548.16	697.66	877.16	1102.96	8.89	13.46	20.57
	55	110	220	440	0.538	0.708	0.948	1.315	3.130	3.984	5.009	6.298	0.00035	0.00053	0.00081
2MMV99122WN	270	530	1070	2140	99.87	131.00	175.07	244.34	574.35	732.23	921.28	1165.87	9.14	13.97	22.10
	60	120	240	480	0.571	0.749	1.001	1.397	3.280	4.181	5.261	6.658	0.00036	0.00055	0.00087
2MMV99124WN	310	620	1250	2490	110.19	144.99	194.31	264.45	633.03	804.99	1011.74	1255.72	9.65	14.73	20.83
	70	140	280	560	0.630	0.829	1.111	1.512	3.615	4.597	5.777	7.171	0.00038	0.00058	0.00082
2MMV99126WN	400	800	1600	3200	121.56	160.21	215.30	292.43	726.36	923.10	1159.78	1434.38	11.43	17.02	23.88
	90	180	360	720	0.695	0.916	1.231	1.672	4.148	5.271	6.623	8.191	0.00045	0.00067	0.00094
2MMV99128WN	420	850	1690	3380	128.73	169.65	228.07	311.85	769.93	978.63	1229.64	1528.04	11.18	17.02	24.38
	95	190	380	760	0.736	0.970	1.304	1.783	4.397	5.588	7.022	8.726	0.00044	0.00067	0.00096
2MMV99130WN	440	890	1780	3560	135.20	177.35	236.99	323.74	787.69	1005.74	1266.14	1582.33	11.43	17.02	25.40
	100	200	400	800	0.773	1.014	1.355	1.851	4.498	5.743	7.230	9.036	0.00045	0.00067	0.00100

⁽¹⁾ For DB or DF arrangements only. For other mounting arrangements, contact your Timken representative.

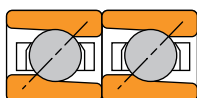
EXTRA-LIGHT
3MMV99100WN
ISO 10 SERIES

DUPLEX
PERFORMANCE DATA

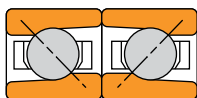
MOUNTING ARRANGEMENTS



Back-to-Back
DB



Tandem
DT



Face-to-Face
DF

Bearing Number	Preload				Axial Stiffness ⁽¹⁾				Radial Stiffness ⁽¹⁾				Spacer Offsets ⁽¹⁾		
	DUX X-light	DUL Light	DUM Med.	DUH Heavy	X-light	Light	Med.	Heavy	X-light	Light	Med.	Heavy	X-light to Light	Light to Med.	Med. to Heavy
	N lbs.				N/μm 10 ⁶ lbs./in.				N/μm 10 ⁶ lbs./in.				μm in.		
3MMV99101WN	—	40	90	180	—	35.85	46.00	59.99	63.81	81.02	101.87	127.31	—	4.32	6.60
	—	10	20	40	—	0.205	0.263	0.343	0.364	0.463	0.582	0.727	—	0.00017	0.00026
3MMV99102WN	—	40	90	180	—	40.75	52.30	67.86	72.53	92.55	116.62	145.99	—	3.81	5.84
	—	10	20	40	—	0.233	0.299	0.388	0.414	0.529	0.666	0.834	—	0.00015	0.00023
3MMV99103WN	—	40	90	180	—	45.30	58.07	75.21	76.60	98.03	123.65	154.90	—	3.30	5.33
	—	10	20	40	—	0.259	0.332	0.430	0.437	0.560	0.706	0.885	—	0.00013	0.00021
3MMV99104WN	40	90	180	360	47.92	61.39	79.23	103.37	100.04	127.28	160.19	200.35	3.30	5.08	7.87
	10	20	40	80	0.274	0.351	0.453	0.591	0.571	0.727	0.915	1.144	0.00013	0.00020	0.00031
3MMV99105WN	70	130	270	530	61.74	79.05	102.49	134.32	128.71	162.96	204.62	255.42	3.81	5.84	8.89
	15	30	60	120	0.353	0.452	0.586	0.768	0.735	0.931	1.168	1.459	0.00015	0.00023	0.00035
3MMV99106WN	70	130	270	530	70.48	90.25	116.66	152.16	147.17	187.11	235.41	294.36	3.30	5.08	7.87
	15	30	60	120	0.403	0.516	0.667	0.870	0.840	1.068	1.344	1.681	0.00013	0.00020	0.00031
3MMV99107WN	90	180	360	710	90.07	115.61	149.89	196.76	186.19	235.47	295.48	368.61	3.56	5.33	8.13
	20	40	80	160	0.515	0.661	0.857	1.125	1.063	1.345	1.687	2.105	0.00014	0.00021	0.00032
3MMV99108WN	110	220	440	890	106.34	136.60	177.17	233.14	219.49	277.23	347.59	433.29	3.56	5.59	8.64
	25	50	100	200	0.608	0.781	1.013	1.333	1.253	1.583	1.985	2.474	0.00014	0.00022	0.00034
3MMV99109WN	130	270	530	1070	114.03	146.39	189.94	249.76	237.67	300.35	376.71	469.74	4.06	6.35	9.65
	30	60	120	240	0.652	0.837	1.086	1.428	1.357	1.715	2.151	2.682	0.00016	0.00025	0.00038
3MMV99110WN	130	270	530	1070	120.33	154.44	200.09	262.52	250.96	317.55	398.58	497.37	3.81	6.10	9.14
	30	60	120	240	0.688	0.883	1.144	1.501	1.433	1.813	2.276	2.840	0.00015	0.00024	0.00036
3MMV99111WN	180	360	710	1420	137.12	176.12	228.42	300.13	288.20	364.36	457.11	570.13	4.57	7.11	10.67
	40	80	160	320	0.784	1.007	1.306	1.716	1.646	2.081	2.610	3.256	0.00018	0.00028	0.00042
3MMV99112WN	180	360	710	1420	140.62	180.50	234.02	307.30	295.67	374.03	469.41	585.66	4.32	6.86	10.41
	40	80	160	320	0.804	1.032	1.338	1.757	1.688	2.136	2.681	3.344	0.00017	0.00027	0.00041
3MMV99113WN	220	440	890	1780	159.68	205.33	266.72	351.55	335.25	423.19	530.40	660.91	4.83	7.62	11.43
	50	100	200	400	0.913	1.174	1.525	2.010	1.914	2.417	3.029	3.774	0.00019	0.00030	0.00045
3MMV99114WN	220	440	890	1780	163.53	210.05	271.97	356.80	346.94	439.31	551.63	688.59	4.83	7.37	11.18
	50	100	200	400	0.935	1.201	1.555	2.040	1.981	2.509	3.150	3.932	0.00019	0.00029	0.00044
3MMV99115WN	270	530	1070	2220	182.42	234.54	304.33	406.99	386.68	488.76	613.09	774.44	5.08	7.87	12.95
	60	120	240	500	1.043	1.341	1.740	2.327	2.208	2.791	3.501	4.422	0.00020	0.00031	0.00051
3MMV99116WN	310	620	1250	2450	193.96	249.23	323.22	422.03	411.47	520.10	652.41	809.01	5.59	8.64	12.95
	70	140	280	550	1.109	1.425	1.848	2.413	2.350	2.970	3.726	4.620	0.00022	0.00034	0.00051
3MMV99117WN	360	710	1420	2670	212.33	273.02	354.52	454.91	446.52	563.93	707.04	863.65	5.84	9.14	12.19
	80	160	320	600	1.214	1.561	2.027	2.601	2.550	3.220	4.038	4.932	0.00023	0.00036	0.00048
3MMV99118WN	400	800	1600	3110	216.18	277.74	360.29	468.21	462.96	585.58	734.84	908.65	6.35	9.91	14.48
	90	180	360	700	1.236	1.588	2.060	2.677	2.644	3.344	4.196	5.189	0.00025	0.00039	0.00057
3MMV99119WN	400	800	1600	3110	221.25	284.04	368.16	478.00	473.66	599.46	752.49	930.74	6.35	9.91	14.22
	90	180	360	700	1.265	1.624	2.105	2.733	2.705	3.423	4.297	5.315	0.00025	0.00039	0.00056
3MMV99120WN	440	890	1780	3560	239.79	308.00	399.47	525.05	513.19	649.09	814.50	1016.10	6.35	9.91	15.24
	100	200	400	800	1.371	1.761	2.284	3.002	2.931	3.707	4.651	5.802	0.00025	0.00039	0.00060
3MMV99121WN	490	980	2000	4000	246.61	316.74	414.34	544.99	531.63	672.61	850.32	1060.75	6.86	11.18	16.51
	110	220	450	900	1.410	1.811	2.369	3.116	3.036	3.841	4.856	6.057	0.00027	0.00044	0.00065
3MMV99122WN	530	1070	2220	4450	259.55	333.18	438.47	576.30	560.03	709.13	902.24	1125.82	7.11	11.94	17.53
	120	240	500	1000	1.484	1.905	2.507	3.295	3.198	4.049	5.152	6.429	0.00028	0.00047	0.00069
3MMV99124WN	620	1250	2450	4890	285.79	367.29	473.28	622.47	616.32	779.28	972.01	1212.56	7.62	11.43	17.78
	140	280	550	1100	1.634	2.100	2.706	3.559	3.519	4.450	5.551	6.924	0.00030	0.00045	0.00070
3MMV99126WN	800	1600	3110	6230	323.91	416.44	534.49	702.75	699.72	884.69	1099.85	1372.12	8.64	12.70	20.07
	180	360	700	1400	1.852	2.381	3.056	4.018	3.996	5.052	6.281	7.835	0.00034	0.00050	0.00079
3MMV99128WN	850	1690	3340	6670	343.33	441.27	569.82	749.27	741.75	937.93	1171.75	1461.71	8.64	12.95	20.07
	190	380	750	1500	1.963	2.523	3.258	4.284	4.236	5.356	6.691	8.347	0.00034	0.00051	0.00079
3MMV99130WN	890	1780	3560	7120	352.25	451.94	585.39	767.81	766.68	971.75	1220.76	1524.48	8.89	13.72	21.08
	200	400	800	1600	2.014	2.584	3.347	4.390	4.378	5.549	6.971	8.705	0.00035	0.00054	0.00083

⁽¹⁾ For DB or DF arrangements only. For other mounting arrangements, contact your Timken representative.

**EXTRA-LIGHT 2MMV99100WN
ISO 10 SERIES**

SPEED CAPABILITY DATA

Bearing Number	Grease Capacity ⁽¹⁾				Operating Speeds ⁽⁴⁾ (DB Mounting) ⁽⁵⁾					
	Low Speed ⁽²⁾		High Speed ⁽³⁾		Grease			Oil		
	25%	40%	15%	20%	DUL	DUM	DUH	DUL	DUM	DUH
	grams		grams		RPM			RPM		
2MMV99101WN	0.30	0.50	0.20	0.27	68200	60600	45500	116000	103000	77400
2MMV99102WN	0.40	0.60	0.24	0.32	57900	51400	38600	98400	98400	65600
2MMV99103WN	0.50	0.70	0.31	0.41	51200	45500	34100	87100	87100	58000
2MMV99104WN	0.90	1.40	0.58	0.77	39400	35000	26300	67000	67000	44700
2MMV99105WN	1.00	1.60	0.67	0.9	32900	29200	21900	55800	55800	37200
2MMV99106WN	1.30	2.10	0.87	1.17	26600	23600	17700	45100	45100	30100
2MMV99107WN	1.40	2.20	0.91	1.22	22800	20200	15200	38700	38700	25800
2MMV99108WN	1.70	2.70	1.14	1.52	19800	17600	13200	33700	33700	22400
2MMV99109WN	2.20	3.50	1.47	1.96	18200	16200	12100	30900	30900	20600
2MMV99110WN	2.40	3.80	1.58	2.11	16700	14800	11100	28300	28300	18900
2MMV99111WN	3.40	5.40	2.20	3.00	14900	13300	10000	25400	25400	17000
2MMV99112WN	3.60	5.80	2.40	3.20	13900	12300	9200	23600	23600	15600
2MMV99113WN	3.80	6.10	2.60	3.40	13000	11500	8600	22000	22000	14600
2MMV99114WN	5.10	8.20	3.40	4.60	11900	10600	7900	20200	20200	13400
2MMV99115WN	5.50	8.80	3.70	4.90	11100	9800	7400	18800	18800	12600
2MMV99116WN	7.10	11.30	4.70	6.30	10400	9300	7000	17700	17700	11900
2MMV99117WN	7.40	11.80	4.90	6.60	9900	8800	6600	16800	16800	11200
2MMV99118WN	9.70	15.60	6.50	8.70	9400	8300	6200	15900	15900	10500
2MMV99119WN	13.30	21.30	7.10	9.50	8900	7900	5900	15100	15100	10000
2MMV99120WN	10.60	17.00	7.40	9.90	8500	7500	5600	14400	14400	9500
2MMV99121WN	17.10	27.40	9.10	12.20	8000	7100	5300	13600	13600	9000
2MMV99122WN	16.00	25.60	10.70	14.20	7700	6800	5100	13000	13000	8700
2MMV99124WN	17.10	27.40	11.40	15.30	7100	6300	4700	12100	12100	8000
2MMV99126WN	25.80	41.30	17.20	23.00	6400	5700	4300	10900	10900	7300
2MMV99128WN	27.50	43.90	18.30	24.40	5900	5300	4000	10100	10100	6800
2MMV99130WN	43.90	70.30	29.30	39.10	5600	5000	3700	9500	9500	6300

⁽¹⁾ Fill weights based on specific gravity of 0.99.

⁽²⁾ Low speed <500000 dN.

⁽³⁾ High speed ≥ 500000 dN.

⁽⁴⁾ For ceramic ball complements, use 120 percent of speeds shown.

⁽⁵⁾ For other mounting arrangement configurations, refer to the engineering section on permissible speed calculation methods.

EXTRA-LIGHT 3MMV99100WN
ISO 10 SERIES

SPEED CAPABILITY DATA

Bearing Number	Grease Capacity ⁽¹⁾				Operating Speeds ⁽⁴⁾ (DB Mounting) ⁽⁵⁾					
	Low Speed ⁽²⁾		High Speed ⁽³⁾		Grease			Oil		
	25%	40%	15%	20%	DUL	DUM	DUH	DUL	DUM	DUH
	grams		grams		RPM			RPM		
3MMV99101WN	0.30	0.50	0.20	0.30	58000	47700	34100	86900	71600	51100
3MMV99102WN	0.40	0.60	0.20	0.30	49000	40500	28900	73800	60800	43400
3MMV99103WN	0.50	0.70	0.30	0.40	43500	35800	25600	65300	53800	38400
3MMV99104WN	0.90	1.40	0.60	0.80	33500	27600	19700	50200	41400	29500
3MMV99105WN	1.00	1.60	0.70	0.90	27900	23000	16400	41800	34400	24600
3MMV99106WN	1.30	2.10	0.90	1.20	22500	18500	13200	33800	27800	19900
3MMV99107WN	1.40	2.20	0.90	1.20	19300	15900	11300	28900	23800	17000
3MMV99108WN	1.70	2.70	1.10	1.50	16800	13900	9900	25200	20800	14800
3MMV99109WN	2.20	3.50	1.50	2.00	15500	12700	9100	23200	19100	13600
3MMV99110WN	2.40	3.80	1.60	2.10	14200	11700	8300	21300	17500	12500
3MMV99111WN	3.40	5.40	2.20	3.00	12700	10400	7400	19000	15600	11200
3MMV99112WN	3.60	5.80	2.40	3.20	11800	9700	6900	17700	14600	10400
3MMV99113WN	3.80	6.10	2.60	3.40	11000	9100	6500	16600	13600	9700
3MMV99114WN	5.10	8.20	3.40	4.60	10100	8300	5900	15200	12500	8900
3MMV99115WN	5.50	8.80	3.70	4.90	9400	7800	5500	14100	11700	8300
3MMV99116WN	7.10	11.30	4.70	6.30	8800	7300	5200	13300	10900	7800
3MMV99117WN	7.40	11.80	4.90	6.60	8400	6900	4900	12600	10400	7400
3MMV99118WN	9.70	15.60	6.50	8.70	7900	6500	4700	11900	9800	7000
3MMV99119WN	13.30	21.30	7.10	9.50	7600	6200	4500	11400	9400	6700
3MMV99120WN	10.60	17.00	7.40	9.90	7200	5900	4200	10800	8900	6300
3MMV99121WN	17.10	27.40	9.10	12.20	6800	5600	4000	10300	8500	6000
3MMV99122WN	16.00	25.60	10.70	14.20	6500	5300	3800	9700	8000	5700
3MMV99124WN	17.10	27.40	11.40	15.30	6000	4900	3500	9000	7400	5300
3MMV99126WN	25.80	41.30	17.20	23.00	5400	4500	3200	8100	6700	4800
3MMV99128WN	27.50	43.90	18.30	24.40	5100	4200	3000	7600	6300	4500
3MMV99130WN	43.90	70.30	29.30	39.10	4800	3900	2800	7200	5900	4200

⁽¹⁾ Fill weights based on specific gravity of 0.99.

⁽²⁾ Low speed <500000 dN.

⁽³⁾ High speed ≥ 500000 dN.

⁽⁴⁾ For ceramic ball complements, use 120 percent of speeds shown.

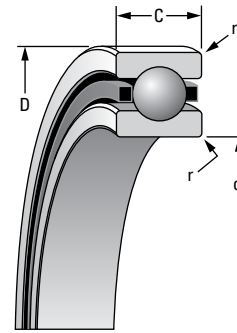
⁽⁵⁾ For other mounting arrangement configurations, refer to the engineering section on permissible speed calculation methods.



**ULTRA-LIGHT ISO 10 SERIES
MM9100K**

SUPER PRECISION MM

Running accuracy and performance meet ABEC 9 (ISO P2) levels.
Other features conform to ABEC 7 (ISO P4) requirements.



Bearing Number	d Bore	D O.D.	C Width ⁽¹⁾	Ball Qty. x Dia.	Bearing Wt.	LOAD RATINGS						
						Steel Ball			Ceramic Ball			r Rad. ⁽²⁾
						C ₀ Static	C _e Dynamic	Speed Rating ^(Ng)	C ₀ Static	C _e Dynamic	Speed Rating ^(Ng)	
mm/in.	mm/in.	kg/lbs.	N/lbs.	RPM	N/lbs.	RPM	mm/in.					
MM9101K	12	28	8	8 x 4.76	0.020	2400	5670	52800	2130	5670	63400	0.3
	0.4724	1.1024	0.3150	8 x 3/16	0.04	540	1280	52800	480	1280	63400	0.012
MM9103K	17	35	10	10 x 4.76	0.038	3300	6660	39600	2890	6660	47500	0.3
	0.6693	1.3780	0.3937	10 x 3/16	0.08	735	1500	39600	650	1500	47500	0.012
MM9104K	20	42	12	8 x 6.35	0.064	4400	9620	34000	3980	9620	40800	0.6
	0.7874	1.6535	0.4724	8 x 1/4	0.14	1000	2160	34000	890	2160	40800	0.024
MM9105K	25	47	12	10 x 6.35	0.074	5900	11200	28300	5210	11200	34000	0.6
	0.9843	1.8504	0.4724	10 x 1/4	0.16	1320	2510	28300	1170	2510	34000	0.024
MM9106K	30	55	13	11 x 7.14	0.109	8300	14700	23300	7390	14700	28000	1.0
	1.1811	2.1654	0.5118	11 x 9/32	0.24	1860	3300	23300	1660	3300	28000	0.039
MM9107K	35	62	14	11 x 7.94	0.144	10300	17700	20700	9150	17700	24800	1.0
	1.3780	2.4409	0.5512	11 x 5/16	0.32	2320	3980	20700	2060	3980	24800	0.039
MM9108K	40	68	15	12 x 7.94	0.180	11600	18600	18200	10300	18600	21800	1.0
	1.5748	2.6772	0.5906	12 x 5/16	0.40	2600	4180	18200	2310	4180	21800	0.039
MM9109K	45	75	16	13 x 8.73	0.230	15100	23300	16300	13500	23300	19600	1.0
	1.7717	2.9528	0.6299	13 x 11/32	0.51	3400	5230	16300	3030	5230	19600	0.039
MM9110K	50	80	16	14 x 8.73	0.248	16700	24200	14900	14700	24200	17900	1.0
	1.9685	3.1496	0.6299	14 x 11/32	0.55	3750	5440	14900	3310	5440	17900	0.039
MM9111K	55	90	18	13 x 10.32	0.362	21400	31400	13500	18900	31400	16200	1.0
	2.1654	3.5433	0.7087	13 x 13/32	0.80	4800	7050	13500	4250	7050	16200	0.039
MM9112K	60	95	18	14 x 10.32	0.430	23200	32600	12500	20600	32600	15000	1.0
	2.3622	3.7402	0.7087	14 x 13/32	0.95	5210	7340	12500	4630	7340	15000	0.039
MM9113K	65	100	18	15 x 10.32	0.450	25200	33900	11600	22400	33900	13900	1.0
	2.5591	3.9370	0.7087	15 x 13/32	0.99	5650	7610	11600	5030	7610	13900	0.039
MM9114K	70	110	20	14 x 11.91	0.620	30900	42200	10700	27500	42200	12800	1.0
	2.7559	4.3307	0.7874	14 x 15/32	1.37	6940	9490	10700	6180	9490	12800	0.039
MM9115K	75	115	20	15 x 11.91	0.606	33400	43800	10100	29800	43800	12100	1.0
	2.9528	4.5276	0.7874	15 x 15/32	1.34	7500	9850	10100	6700	9850	12100	0.039
MM9116K	80	125	22	14 x 13.49	0.804	40000	52800	9420	35300	52800	11300	1.0
	3.1496	4.9213	0.8661	14 x 17/32	1.77	9000	11900	9420	7940	11900	11300	0.039
MM9117K	85	130	22	15 x 13.49	0.845	42900	54900	8900	38300	54900	10700	1.0
	3.3465	5.1181	0.8661	15 x 17/32	1.86	9650	12300	8900	8600	12300	10700	0.039
MM9118K	90	140	24	14 x 15.08	1.092	49800	64500	8390	44100	64500	10100	1.5
	3.5433	5.5118	0.9449	14 x 19/32	2.41	11200	14500	8390	9920	14500	10100	0.059
MM9120K	100	150	24	15 x 15.08	1.208	54300	66700	7630	48200	66700	9160	1.5
	3.9370	5.9055	0.9449	15 x 19/32	2.66	12200	15000	7630	10800	15000	9160	0.059
MM9122K	110	170	28	14 x 17.46	1.882	66700	83400	6840	59900	83400	8210	2.0
	4.3307	6.6929	1.1024	14 x 11/16	4.15	15000	18700	6840	13500	18700	8210	0.079
MM9124K	120	180	28	15 x 17.46	2.019	72500	86300	6320	65000	86300	7580	2.0
	4.7244	7.0866	1.1024	15 x 11/16	4.45	16300	19400	6320	14600	19400	7580	0.079
MM9126K	130	200	33	14 x 20.64	3.041	94300	112600	5810	83600	112600	6975	2.0
	5.1181	7.8740	1.2992	14 x 13/16	6.70	21200	25300	5810	18800	25300	6975	0.079

^(Ng) For a single, grease-lubricated, spring-preloaded bearing. This value to be used in permissible operating speed (Sp) calculation.

⁽¹⁾ Width tolerance of preloaded bearing set +0.000/-0.254 mm (+0.0000/-0.0100 in.).

⁽²⁾ ABMA STD 20 (r_{as} max).

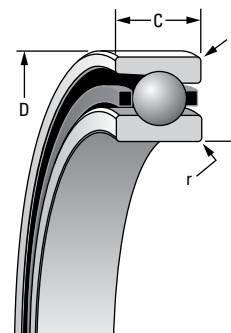
DEEP-GROOVE (CONRAD) CONSTRUCTION

- Incorporates high shoulder on both inner and outer rings.
- Balls separated by two-piece and piloted cage.

Suggested Shoulder Diameters				Shaft Diameter		Mounting Fits		FIXED				FLOATING			
								Housing Bore (Stationary)		Mounting Fits		Housing Bore (Stationary)		Mounting Fits	
Max.	Min.	Max.	Min.	Max.	Min.	Loose	Tight	Max.	Min.	Tight	Loose	Max.	Min.	Loose	Loose
mm/in.		mm/in.		mm/in.		mm/in.		mm/in.		mm/in.		mm/in.		mm/in.	
16.1	15.9	25.5	25.3	12.000	11.995	0.005	0.004	28.005	28.000	0.000	0.010	28.010	28.005	0.015	0.005
0.64	0.63	1.01	1.00	0.47240	0.47220	0.00020	0.00015	1.10260	1.10240	0.00000	0.00040	1.10280	1.10260	0.00060	0.00020
21.7	21.5	31.1	30.9	17.000	16.995	0.005	0.004	35.006	35.000	0.000	0.012	35.010	35.005	0.016	0.005
0.86	0.85	1.23	1.22	0.66930	0.66910	0.00020	0.00015	1.37830	1.37800	0.00000	0.00050	1.37840	1.37820	0.00070	0.00020
25.0	24.8	37.7	37.5	20.000	19.995	0.005	0.005	42.006	42.000	0.000	0.012	42.010	42.005	0.016	0.005
0.99	0.98	1.49	1.48	0.78740	0.78720	0.00020	0.00020	1.65380	1.65350	0.00000	0.00050	1.65390	1.65370	0.00070	0.00020
30.1	29.9	42.6	42.3	25.000	24.995	0.005	0.005	47.006	47.000	0.000	0.012	47.012	47.007	0.018	0.007
1.19	1.18	1.68	1.67	0.98430	0.98410	0.00020	0.00020	1.85070	1.85040	0.00000	0.00050	1.85090	1.85070	0.00080	0.00030
36.2	35.9	50.7	50.4	30.000	29.995	0.005	0.005	55.008	55.000	0.000	0.015	55.012	55.007	0.019	0.007
1.43	1.42	2.00	1.99	1.18110	1.18090	0.00020	0.00020	2.16570	2.16540	0.00000	0.00060	2.16590	2.16570	0.00080	0.00030
41.2	40.6	56.6	56.1	35.000	34.995	0.005	0.006	62.008	62.000	0.000	0.015	62.012	62.007	0.019	0.007
1.62	1.60	2.23	2.21	1.37800	1.37780	0.00020	0.00025	2.44120	2.44090	0.00000	0.00060	2.44140	2.44120	0.00080	0.00030
46.2	45.7	62.2	61.7	40.000	39.995	0.005	0.006	68.008	68.000	0.000	0.015	68.012	68.007	0.019	0.007
1.82	1.80	2.45	2.43	1.57480	1.57460	0.00020	0.00025	2.67750	2.67720	0.00000	0.00060	2.67770	2.67750	0.00080	0.00030
51.8	51.3	69.3	68.8	45.000	44.995	0.005	0.006	75.008	75.000	0.000	0.015	75.014	75.009	0.022	0.009
2.04	2.02	2.73	2.71	1.77170	1.77150	0.00020	0.00025	2.95310	2.95280	0.00000	0.00060	2.95330	2.95310	0.00080	0.00030
56.6	56.1	74.2	73.7	50.000	49.995	0.005	0.006	80.008	80.000	0.000	0.015	80.012	80.008	0.020	0.008
2.23	2.21	2.92	2.90	1.96850	1.96830	0.00020	0.00025	3.14990	3.14960	0.00000	0.00060	3.15010	3.14990	0.00080	0.00030
62.7	62.2	83.3	82.8	55.000	54.995	0.005	0.007	90.008	90.000	0.000	0.016	90.015	90.007	0.023	0.007
2.47	2.45	3.28	3.26	2.16540	2.16520	0.00020	0.00030	3.54360	3.54330	0.00000	0.00060	3.54390	3.54360	0.00090	0.00030
67.8	67.3	88.1	87.6	60.000	59.995	0.005	0.007	95.008	95.000	0.000	0.016	95.016	95.009	0.024	0.009
2.67	2.65	3.47	3.45	2.36220	2.36200	0.00020	0.00030	3.74050	3.74020	0.00000	0.00060	3.74080	3.74050	0.00090	0.00030
72.6	72.1	93.2	92.7	65.000	64.995	0.005	0.007	100.008	100.000	0.000	0.016	100.018	100.010	0.025	0.010
2.86	2.84	3.67	3.65	2.55910	2.55890	0.00020	0.00030	3.93730	3.93700	0.00000	0.00060	3.93770	3.93740	0.00100	0.00040
78.2	77.7	102.4	101.9	70.000	69.995	0.005	0.007	110.008	110.000	0.000	0.016	110.018	110.010	0.025	0.010
3.08	3.06	4.03	4.01	2.75590	2.75570	0.00020	0.00030	4.33100	4.33070	0.00000	0.00060	4.33140	4.33110	0.00100	0.00040
83.4	82.7	107.3	106.6	75.005	74.995	0.005	0.012	115.008	115.000	0.000	0.016	115.019	115.011	0.026	0.010
3.29	3.26	4.23	4.20	2.95300	2.95260	0.00020	0.00050	4.52790	4.52760	0.00000	0.00060	4.52830	4.52800	0.00100	0.00040
89.3	88.5	116.5	115.7	80.005	79.995	0.005	0.012	125.008	125.000	0.000	0.017	125.021	125.011	0.030	0.011
3.52	3.49	4.59	4.56	3.14980	3.14940	0.00020	0.00050	4.92160	4.92130	0.00000	0.00070	4.92210	4.92170	0.00120	0.00040
94.9	94.1	122.1	121.3	85.005	84.995	0.005	0.012	130.009	130.000	0.000	0.018	130.020	130.010	0.029	0.010
3.74	3.71	4.81	4.78	3.34670	3.34630	0.00020	0.00050	5.11850	5.11810	0.00000	0.00070	5.11890	5.11850	0.00110	0.00040
100.5	99.7	130.9	130.2	90.005	89.995	0.005	0.013	140.009	140.000	0.000	0.018	140.020	140.010	0.029	0.010
3.96	3.93	5.16	5.13	3.54350	3.54310	0.00020	0.00050	5.51220	5.51180	0.00000	0.00070	5.51260	5.51220	0.00110	0.00040
110.6	109.9	140.8	140.1	100.005	99.995	0.005	0.013	150.009	150.000	0.000	0.018	150.023	150.012	0.032	0.012
4.36	4.33	5.55	5.52	3.93720	3.93680	0.00020	0.00050	5.90590	5.90550	0.00000	0.00070	5.90640	5.90600	0.00120	0.00050
123.1	122.3	158.4	157.6	110.005	109.995	0.005	0.013	170.010	170.000	0.000	0.020	170.022	170.012	0.032	0.012
4.85	4.82	6.24	6.21	4.33090	4.33050	0.00020	0.00050	6.69330	6.69290	0.00000	0.00080	6.69380	6.69340	0.00130	0.00050
133.2	132.5	168.3	167.5	120.005	119.995	0.005	0.013	180.010	180.000	0.000	0.020	180.022	180.012	0.032	0.012
5.25	5.22	6.63	6.60	4.72460	4.72420	0.00020	0.00050	7.08700	7.08660	0.00000	0.00080	7.08750	7.08710	0.00130	0.00050
144.9	144.2	186.6	185.8	130.005	129.995	0.005	0.015	200.011	200.000	0.000	0.022	200.025	200.015	0.036	0.015
5.71	5.68	7.35	7.32	5.11830	5.11790	0.00020	0.00060	7.87450	7.87400	0.00000	0.00090	7.87500	7.87460	0.00150	0.00060



LIGHT ISO 02 SERIES
2(3)MM200WI



SUPER PRECISION MM

Running accuracy and performance meet ABEC 9 (ISO P2) levels.
Other features conform to ABEC 7 (ISO P4) requirements.

Bearing Number 2MM or 3MM	d Bore	D O.D.	C Width ⁽¹⁾	Ball Qty. x Dia.	Bearing Wt. kg/lbs.	(2MM) LOAD RATINGS						(3MM) LOAD RATINGS					
						Steel Ball			Ceramic Ball			Steel Ball			Ceramic Ball		
						C ₀ Static	C _e Dynamic	Speed Rating ^(N_g)	C ₀ Static	C _e Dynamic	Speed Rating ^(N_g)	C ₀ Static	C _e Dynamic	Speed Rating ^(N_g)	C ₀ Static	C _e Dynamic	Speed Rating ^(N_g)
mm/in.			mm/in.	kg/lbs.	N/lbs.		RPM	N/lbs.		RPM	N/lbs.		RPM	N/lbs.		RPM	
200WI	10 0.3937	30 1.1811	9 0.3543	8 x 5.56 8 x 7/32	0.030 0.07	2900 660	7100 1600	62800 62800	2610 590	7100 1600	75400 75400	2800 640	6900 1550	56500 56500	2540 570	6900 1550	67800 67800
201WI	12 0.4724	32 1.2598	10 0.3937	9 x 5.95 9 x 15/64	0.036 0.08	3800 860	8760 1970	56700 56700	3410 770	8760 1970	68000 68000	3700 830	8500 1910	51000 51000	3320 750	8500 1910	61200 61200
202WI	15 0.5906	35 1.3780	11 0.4331	10 x 5.95 10 x 15/64	0.044 0.10	4500 1010	9580 2200	47800 47800	4010 900	9580 2200	57400 57400	4400 980	9250 2080	43000 43000	3880 870	9250 2080	51600 51600
203WI	17 0.6693	40 1.5748	12 0.4724	10 x 6.75 10 x 17/64	0.064 0.14	5900 1320	12000 2750	41900 41900	5170 1160	12000 2750	50300 50300	5600 1270	11600 2600	37700 37700	5000 1120	11600 2600	45200 45200
204WI	20 0.7874	47 1.8504	14 0.5512	10 x 7.94 10 x 5/16	0.103 0.23	8100 1810	16100 3620	35700 35700	7160 1610	16100 3620	42800 42800	7700 1730	15500 3490	32100 32100	6900 1550	15500 3490	38500 38500
205WI	25 0.9843	52 2.0472	15 0.5906	12 x 7.94 12 x 5/16	0.127 0.28	10200 2320	18400 4130	29800 29800	9110 2050	18400 4130	35800 35800	9800 2200	17600 3950	26800 26800	8690 1950	17600 3950	32200 32100
206WI	30 1.1811	62 2.4409	16 0.6299	12 x 9.53 12 x 3/8	0.195 0.43	14700 3310	25500 5740	25100 25100	13100 2940	25500 5740	30100 30100	14000 3150	24400 5490	22600 22600	12500 2810	24400 5490	27100 27100
207WI	35 1.3780	72 2.8346	17 0.6693	12 x 11.11 12 x 7/16	0.282 0.62	20000 4490	33700 7580	21600 21600	17800 4000	33700 7580	25900 25900	19100 4300	32200 7240	19400 19400	17100 3820	32200 7240	23300 23300
208WI	40 1.5748	80 3.1496	18 0.7087	11 x 12.70 11 x 1/2	0.352 0.78	23800 5340	40400 9070	19300 19300	21100 4750	40400 9070	23100 23200	22700 5100	38700 8690	17400 17400	20200 4550	38700 8690	20900 20900
209WI	45 1.7717	85 3.3465	19 0.7480	13 x 12.70 13 x 1/2	0.408 0.90	28800 6470	45200 10200	17500 17500	25600 5760	45200 10200	21000 21000	27600 6200	43100 9700	15800 15800	24500 5500	43100 9700	19000 19000
210WI	50 1.9685	90 3.5433	20 0.7874	14 x 12.70 14 x 1/2	0.457 1.01	31700 7130	47400 10700	16000 16000	28200 6340	47400 10700	19200 19200	30200 6800	45200 10200	14400 14400	26900 6050	45200 10200	17300 17300
211WI	55 2.1654	100 3.9370	21 0.8268	14 x 14.29 14 x 9/16	0.608 1.34	40000 9000	58700 13200	14500 14500	35500 7980	58700 13200	17400 17400	38500 8650	55900 12600	13100 13100	34000 7640	55900 12600	15700 15700
212WI	60 2.3622	110 4.3307	22 0.8661	14 x 15.88 14 x 5/8	0.787 1.74	48900 11000	71000 16000	13200 13200	43600 9810	71000 16000	15800 15800	47100 10600	67700 15200	11900 11900	41800 9400	67700 15200	14300 14300
213WI	65 2.5591	120 4.7244	23 0.9055	14 x 16.67 14 x 21/32	0.998 2.20	54700 12300	77400 17400	12100 12100	48700 11000	77400 17400	14300 14500	52500 11800	73700 16600	10900 10900	46500 10400	73700 16600	13100 13100
214WI	70 2.7559	125 4.9213	24 0.9449	14 x 17.46 14 x 11/16	1.074 2.37	60000 13400	84200 18900	11400 11400	53600 12100	84200 18900	13700 13700	57400 12900	80200 18000	10300 10300	51100 11500	80200 18000	12400 12400
215WI	75 2.9528	130 5.1181	25 0.9843	15 x 17.46 15 x 11/16	1.174 2.59	64900 14600	87900 19800	10800 10800	58200 13100	87900 19800	13000 13000	62300 14000	83700 18800	9700 9700	55600 12500	83700 18800	11600 11600
216WI	80 3.1496	140 5.5118	26 1.0236	15 x 19.05 15 x 3/4	1.448 3.19	77000 17300	102900 23100	10100 10100	69000 15500	102900 23100	12100 12100	73800 16600	98000 22000	9100 9100	65800 14800	98000 22000	10900 10900

^(N_g) For a single, grease-lubricated, spring-preloaded bearing. This value to be used in permissible operating speed (Sp) calculation.

⁽¹⁾ Width tolerance of preloaded bearing set +0.000/-0.254 mm (+0.0000/-0.0100 in.).

⁽²⁾ ABMA STD 20 (r_{as} max).

WI CONSTRUCTION

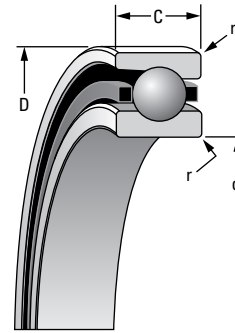
- Incorporates low shoulder on non-thrust side of outer rings.
- Balls separated by one-piece cage piloted against a ground thrust shoulder land of the outer ring.

r Rad. ⁽²⁾	Suggested Shoulder Diameters				Shaft Diameter		Mounting Fits		FIXED				FLOATING			
	Shaft		Housing		Max.	Min.	Loose	Tight	Housing Bore (Stationary)		Mounting Fits		Housing Bore (Stationary)		Mounting Fits	
	Max.	Min.	Max.	Min.					Max.	Min.	Tight	Loose	Max.	Min.	Loose	Loose
mm/in.	mm/in.		mm/in.		mm/in.		mm/in.		mm/in.		mm/in.		mm/in.		mm/in.	
0.6	15.1	14.9	26.0	25.8	10.000	9.995	0.005	0.004	30.005	30.000	0.000	0.010	30.010	30.005	0.015	0.005
0.024	0.60	0.59	1.03	1.02	0.39370	0.39350	0.00020	0.00015	1.18130	1.18110	0.00000	0.00040	1.18150	1.18130	0.00060	0.00020
0.6	16.6	16.4	28.1	27.8	12.000	11.995	0.005	0.004	32.005	32.000	0.000	0.011	32.010	32.005	0.016	0.005
0.024	0.66	0.65	1.11	1.10	0.47240	0.47220	0.00020	0.00015	1.26000	1.25980	0.00000	0.00045	1.26020	1.26000	0.00070	0.00020
0.6	19.2	18.9	31.1	30.9	15.000	14.995	0.005	0.004	35.006	35.000	0.000	0.012	35.010	35.005	0.016	0.005
0.024	0.76	0.75	1.23	1.22	0.59060	0.59040	0.00020	0.00015	1.37830	1.37800	0.00000	0.00050	1.37840	1.37820	0.00070	0.00020
0.6	21.7	21.5	35.7	35.4	17.000	16.995	0.005	0.004	40.006	40.000	0.000	0.012	40.010	40.005	0.016	0.005
0.024	0.86	0.85	1.41	1.40	0.66930	0.66910	0.00020	0.00015	1.57510	1.57480	0.00000	0.00050	1.57520	1.57500	0.00070	0.00020
1.0	26.0	25.8	41.5	41.3	20.000	19.995	0.005	0.005	47.006	47.000	0.000	0.012	47.012	47.007	0.018	0.007
0.039	1.03	1.02	1.64	1.63	0.78740	0.78720	0.00020	0.00020	1.85070	1.85040	0.00000	0.00050	1.85090	1.85070	0.00080	0.00030
1.0	31.1	30.9	47.1	46.9	25.000	24.995	0.005	0.005	52.006	52.000	0.000	0.013	52.012	52.007	0.019	0.007
0.039	1.23	1.22	1.86	1.85	0.98430	0.98410	0.00020	0.00020	2.04750	2.04720	0.00000	0.00055	2.04770	2.04750	0.00080	0.00030
1.0	36.7	36.5	56.0	55.8	30.000	29.995	0.005	0.005	62.008	62.000	0.000	0.015	62.012	62.007	0.019	0.007
0.039	1.45	1.44	2.21	2.20	1.18110	1.18090	0.00020	0.00020	2.44120	2.44090	0.00000	0.00060	2.44140	2.44120	0.00080	0.00030
1.0	42.7	42.2	65.3	64.8	35.000	34.995	0.005	0.006	72.008	72.000	0.000	0.015	72.011	72.007	0.019	0.007
0.039	1.68	1.66	2.57	2.55	1.37800	1.37780	0.00020	0.00025	2.83490	2.83460	0.00000	0.00060	2.83510	2.83490	0.00080	0.00030
1.0	47.8	47.2	73.2	72.6	40.000	39.995	0.005	0.006	80.008	80.000	0.000	0.015	80.012	80.008	0.020	0.008
0.039	1.88	1.86	2.88	2.86	1.57480	1.57460	0.00020	0.00025	3.14990	3.14960	0.00000	0.00060	3.15010	3.14990	0.00080	0.00030
1.0	52.8	52.3	78.2	77.7	45.000	44.995	0.005	0.006	85.008	85.000	0.000	0.016	85.016	85.009	0.024	0.009
0.039	2.08	2.06	3.08	3.06	1.77170	1.77150	0.00020	0.00025	3.34680	3.34650	0.00000	0.00060	3.34710	3.34680	0.00090	0.00030
1.0	57.9	57.4	83.3	82.8	50.000	49.995	0.005	0.006	90.008	90.000	0.000	0.016	90.015	90.007	0.023	0.007
0.039	2.28	2.26	3.28	3.26	1.96850	1.96830	0.00020	0.00025	3.54360	3.54330	0.00000	0.00060	3.54390	3.54360	0.00090	0.00030
1.5	63.8	63.3	92.2	91.7	55.000	54.995	0.005	0.007	100.008	100.000	0.000	0.016	100.018	100.010	0.025	0.010
0.059	2.51	2.49	3.63	3.61	2.16540	2.16520	0.00020	0.00030	3.93730	3.93700	0.00000	0.00060	3.93770	3.93740	0.00100	0.00040
1.5	69.9	69.3	101.4	100.8	60.000	59.995	0.005	0.007	110.008	110.000	0.000	0.016	110.018	110.010	0.025	0.010
0.059	2.75	2.73	3.99	3.97	2.36220	2.36200	0.00020	0.00030	4.33100	4.33070	0.00000	0.00060	4.33140	4.33110	0.00100	0.00040
1.5	76.2	75.7	109.7	109.2	65.000	64.995	0.005	0.007	120.008	120.000	0.000	0.016	120.018	120.010	0.025	0.010
0.059	3.00	2.98	4.32	4.30	2.55910	2.55890	0.00020	0.00030	4.72470	4.72440	0.00000	0.00060	4.72510	4.72480	0.00100	0.00040
1.5	80.8	80.3	115.8	115.3	70.000	69.995	0.005	0.007	125.008	125.000	0.000	0.017	125.021	125.011	0.030	0.011
0.059	3.18	3.16	4.56	4.54	2.75590	2.75570	0.00020	0.00030	4.92160	4.92130	0.00000	0.00070	4.92210	4.92170	0.00120	0.00040
1.5	86.0	85.2	120.8	120.0	75.005	74.995	0.005	0.012	130.009	130.000	0.000	0.018	130.020	130.010	0.029	0.010
0.059	3.39	3.36	4.76	4.73	2.95300	2.95260	0.00020	0.00050	5.11850	5.11810	0.00000	0.00070	5.11890	5.11850	0.00110	0.00040
2.0	91.3	90.6	129.9	129.2	80.005	79.995	0.005	0.012	140.009	140.000	0.000	0.018	140.020	140.010	0.029	0.010
0.079	3.60	3.57	5.12	5.09	3.14980	3.14940	0.00020	0.00050	5.51220	5.51180	0.00000	0.00070	5.51260	5.51220	0.00110	0.00040

Continued on next page.

LIGHT ISO 02 SERIES

2(3)MM200WI – continued



SUPER PRECISION MM

Running accuracy and performance meet ABEC 9 (ISO P2) levels.

Other features conform to ABEC 7 (ISO P4) requirements.

Bearing Number 2MM or 3MM	d Bore	D O.D.	C Width ⁽¹⁾	Ball Qty. x Dia.	Bearing Wt.	(2MM) LOAD RATINGS						(3MM) LOAD RATINGS					
						Steel Ball			Ceramic Ball			Steel Ball			Ceramic Ball		
						C ₀ Static	C _e Dynamic	Speed Rating ^(N_g)	C ₀ Static	C _e Dynamic	Speed Rating ^(N_g)	C ₀ Static	C _e Dynamic	Speed Rating ^(N_g)	C ₀ Static	C _e Dynamic	Speed Rating ^(N_g)
mm/in.			mm/in.	kg/lbs.	N/lbs.	RPM	N/lbs.	RPM	N/lbs.	RPM	N/lbs.	RPM					
217WI	85 3.3465	150 5.9055	28 1.1024	15 x 20.64 15 x 13/16	1.817 4.01	90700 20400	118900 26700	9400 9400	80700 18200	118900 26700	11300 11300	85800 19300	113300 25500	8500 8500	76800 17300	113300 25500	10200 10200
218WI	90 3.5433	160 6.2992	30 1.1811	14 x 22.23 14 x 7/8	2.196 4.84	97900 22000	129900 29200	8900 8900	87100 19600	129900 29200	10700 10700	92500 20800	123700 27800	8000 8000	82900 18600	123700 27800	9600 9600
219WI	95 3.7402	170 6.6929	32 1.2598	14 x 23.81 14 x 15/16	2.669 5.88	111200 25000	147100 33100	8400 8400	99600 22400	147100 33100	10100 10100	106800 24000	140100 31500	7600 7600	94900 21300	140100 31500	9100 9100
220WI	100 3.9370	180 7.0866	34 1.3386	14 x 25.40 14 x 1	3.209 7.07	126800 28500	165200 37100	8000 8000	112900 25400	165200 37100	9600 9600	120100 27000	15500 35400	7200 7200	107800 24200	157500 35400	8600 8600
222WI	110 4.3307	200 7.8740	38 1.4961	14 x 28.58 14 x 1 1/8	4.486 9.89	160100 36000	194900 43800	7200 7200	142000 31900	194900 43800	8600 8600	153500 34500	185800 41800	6500 6500	135900 30600	185800 41800	7800 7800
224WI	120 4.7244	215 8.4646	40 1.5748	14 x 30.16 14 x 1 3/16	5.358 11.81	180100 40500	210100 47200	6700 6700	159600 35900	210100 47200	8000 8000	173500 39000	200500 45100	6000 6000	152400 34300	200500 45100	7200 7200
226WI	130 5.1181	230 9.0551	40 1.5748	17 x 30.16 17 x 1 3/16	6.468 14.26	222400 50000	238200 53500	6100 6100	197400 44400	238200 53500	7300 7300	211300 47500	226800 51000	5500 5500	188800 42500	226800 51000	6600 6600
230WI	150 5.9055	270 10.6299	45 1.7717	15 x 38.10 15 x 1 1/2	9.980 22.00	302500 68000	305200 68600	5300 5300	272100 61200	305200 68600	6400 6400	291300 65500	290900 65400	4800 4800	259900 58400	290900 65400	5800 5800

^(N_g) For a single, grease-lubricated, spring-preloaded bearing. This value to be used in permissible operating speed (Sp) calculation.

⁽¹⁾ Width tolerance of preloaded bearing set +0.000/-0.254 mm (+0.0000/-0.0100 in.).

⁽²⁾ ABMA STD 20 (r_{as} max).

WI CONSTRUCTION

- Incorporates low shoulder on non-thrust side of outer rings.
- Balls separated by one-piece cage piloted against a ground thrust shoulder land of the outer ring.

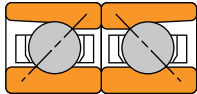
r Rad. ⁽²⁾	Suggested Shoulder Diameters				Shaft Diameter		Mounting Fits		FIXED				FLOATING			
	Shaft		Housing		Max.	Min.	Loose	Tight	Housing Bore (Stationary)		Mounting Fits		Housing Bore (Stationary)		Mounting Fits	
	Max.	Min.	Max.	Min.					Max.	Min.	Tight	Loose	Max.	Min.	Loose	Loose
mm/in.	mm/in.		mm/in.		mm/in.		mm/in.		mm/in.		mm/in.		mm/in.		mm/in.	
2.0 0.079	97.4 3.84	96.7 3.81	138.8 5.47	138.1 5.44	85.005 3.34670	84.995 3.34630	0.005 0.00020	0.012 0.00050	150.009 5.90590	150.000 5.90550	0.000 0.00000	0.018 0.00070	150.023 5.90640	150.012 5.90600	0.032 0.00120	0.012 0.00050
2.0 0.079	103.5 4.08	102.7 4.05	148.0 5.83	147.2 5.80	90.005 3.54350	89.995 3.54310	0.005 0.00020	0.013 0.00050	160.009 6.29960	160.000 6.29920	0.000 0.00000	0.022 0.00080	160.022 6.30010	160.012 6.29970	0.033 0.00130	0.012 0.00050
2.1 0.079	109.4 4.31	108.6 4.28	157.1 6.19	153.3 6.16	95.005 3.74040	94.995 3.74000	0.005 0.00020	0.013 0.00050	170.010 6.69330	170.000 6.69290	0.000 0.00000	0.020 0.00080	170.022 6.69380	170.012 6.69340	0.032 0.00130	0.012 0.00050
2.1 0.079	115.2 4.54	114.4 4.51	166.0 6.54	165.2 6.51	100.005 3.93720	99.995 3.93680	0.005 0.00020	0.013 0.00050	180.010 7.08700	180.000 7.08660	0.000 0.00000	0.020 0.00080	180.022 7.08750	180.012 7.08710	0.032 0.00130	0.012 0.00050
2.1 0.079	127.1 5.01	126.4 4.98	184.3 7.26	183.5 7.23	110.005 4.33090	109.995 4.33050	0.005 0.00020	0.013 0.00050	200.011 7.87450	200.000 7.87400	0.000 0.00000	0.022 0.00090	200.025 7.87500	200.015 7.87460	0.036 0.00150	0.015 0.00060
2.1 0.079	138.1 5.44	137.3 5.41	198.5 7.82	197.7 7.79	120.005 4.72460	119.995 4.72420	0.005 0.00020	0.013 0.00050	215.011 8.46510	215.000 8.46460	0.000 0.00000	0.022 0.00090	215.025 8.46560	215.015 8.46520	0.036 0.00150	0.015 0.00060
2.5 0.098	150.5 5.93	149.7 5.90	211.0 8.31	210.2 8.28	130.005 5.11830	129.995 5.11790	0.005 0.00020	0.015 0.00060	230.011 9.05560	230.000 9.05510	0.000 0.00000	0.022 0.00090	230.025 9.05610	230.015 9.05570	0.036 0.00150	0.015 0.00060
2.5 0.098	172.6 6.80	171.8 6.77	248.8 9.80	248.0 9.77	150.005 5.90570	149.995 5.90530	0.005 0.00020	0.015 0.00060	270.013 10.63040	270.000 10.62990	0.000 0.00000	0.026 0.00100	270.031 10.63120	270.018 10.63070	0.044 0.00180	0.018 0.00080



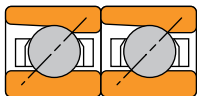
LIGHT
2MM200WI
ISO O2 SERIES

DUPLEX
PERFORMANCE DATA

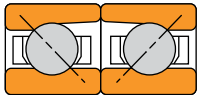
MOUNTING ARRANGEMENTS



**Back-to-Back
DB**



**Tandem
DT**



**Face-to-Face
DF**

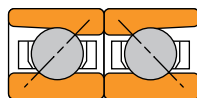
Bearing Number	Preload				Axial Stiffness ⁽¹⁾				Radial Stiffness ⁽¹⁾				Spacer Offsets ⁽¹⁾		
	DUX X-light	DUL Light	DUM Med.	DUH Heavy	X-light	Light	Med.	Heavy	X-light	Light	Med.	Heavy	X-light to Light	Light to Med.	Med. to Heavy
	N lbs.				N/ μ m 10 ⁶ lbs./in.				N/ μ m 10 ⁶ lbs./in.				μ m in.		
2MM200WI	—	20	90	160	—	18.54	33.06	42.85	—	85.88	136.07	162.13	—	10.41	7.11
	—	5	20	35	—	0.106	0.189	0.245	—	0.491	0.778	0.927	—	0.00041	0.00028
2MM201WI	—	20	90	160	—	19.24	34.11	44.07	—	96.02	153.56	183.30	—	9.91	6.86
	—	5	20	35	—	0.110	0.195	0.252	—	0.549	0.878	1.048	—	0.00039	0.00027
2MM202WI	—	20	90	180	—	20.64	36.20	49.67	—	102.67	164.93	205.51	—	9.40	8.38
	—	5	20	40	—	0.118	0.207	0.284	—	0.587	0.943	1.175	—	0.00037	0.00033
2MM203WI	—	40	130	330	—	25.54	41.10	63.84	—	137.12	197.46	263.05	—	10.67	15.24
	—	10	30	75	—	0.146	0.235	0.365	—	0.784	1.129	1.504	—	0.00042	0.00060
2MM204WI	—	70	180	360	—	30.08	46.17	64.36	—	168.43	232.97	289.81	—	11.68	12.95
	—	15	40	80	—	0.172	0.264	0.368	—	0.963	1.332	1.657	—	0.00046	0.00051
2MM205WI	—	90	220	400	—	37.60	56.49	74.86	—	209.53	283.16	340.88	—	11.43	10.92
	—	20	50	90	—	0.215	0.323	0.428	—	1.198	1.619	1.949	—	0.00045	0.00043
2MM206WI	—	90	220	560	—	38.30	56.49	87.10	—	222.47	303.10	405.77	—	11.18	18.54
	—	20	50	125	—	0.219	0.323	0.498	—	1.272	1.733	2.320	—	0.00044	0.00073
2MM207WI	—	130	400	780	—	47.22	75.91	104.42	—	269.35	388.10	478.70	—	17.27	16.76
	—	30	90	175	—	0.270	0.434	0.597	—	1.540	2.219	2.737	—	0.00068	0.00066
2MM208WI	—	130	440	890	—	45.30	75.73	105.46	—	261.65	392.65	489.20	—	20.57	19.56
	—	30	100	200	—	0.259	0.433	0.603	—	1.496	2.245	2.797	—	0.00081	0.00077
2MM209WI	110	180	560	1110	46.52	56.14	91.82	128.20	271.28	322.87	472.58	588.36	5.08	20.32	20.32
	25	40	125	250	0.266	0.321	0.525	0.733	1.549	1.846	2.702	3.364	0.00020	0.00080	0.00080
2MM210WI	130	220	560	1220	51.60	64.19	95.67	139.57	304.91	366.24	496.89	637.86	6.35	16.76	22.61
	30	50	125	275	0.295	0.367	0.547	0.798	1.741	2.094	2.841	3.647	0.00025	0.00066	0.00089
2MM211WI	160	220	780	1560	54.22	63.31	109.49	153.74	335.53	382.86	582.42	724.61	4.83	25.65	23.62
	35	50	175	350	0.310	0.362	0.626	0.879	1.916	2.189	3.330	4.143	0.00019	0.00101	0.00093
2MM212WI	180	330	890	1890	59.12	77.66	119.11	171.40	361.94	456.31	632.26	802.44	9.65	22.61	27.69
	40	75	200	425	0.338	0.444	0.681	0.980	2.067	2.609	3.615	4.588	0.00038	0.00089	0.00109
2MM213WI	200	440	1000	2110	62.61	88.32	126.28	181.20	383.60	511.76	668.64	846.52	13.46	20.83	28.96
	45	100	225	475	0.358	0.505	0.722	1.036	2.191	2.926	3.823	4.840	0.00053	0.00082	0.00114
2MM214WI	220	440	1110	2220	67.86	89.72	133.97	186.97	404.25	519.80	703.80	876.25	11.18	23.88	27.69
	50	100	250	500	0.388	0.513	0.766	1.069	2.308	2.972	4.024	5.010	0.00044	0.00094	0.00109
2MM215WI	240	560	1220	2450	72.93	102.49	145.34	203.06	437.79	586.96	760.64	946.38	14.48	21.59	28.19
	55	125	275	550	0.417	0.586	0.831	1.161	2.500	3.356	4.349	5.411	0.00057	0.00085	0.00111
2MM216WI	270	670	1450	2780	77.66	113.16	159.16	217.75	458.80	639.96	825.18	1014.59	17.02	22.86	28.45
	60	150	325	625	0.444	0.647	0.910	1.245	2.620	3.659	4.718	5.801	0.00067	0.00090	0.00112
2MM217WI	360	890	2000	4000	86.75	126.10	179.97	250.98	480.97	693.68	891.34	1109.60	20.07	28.96	37.08
	65	175	375	750	0.461	0.682	0.957	1.339	2.747	3.961	5.090	6.336	0.00075	0.00098	0.00131
2MM218WI	330	780	1780	3560	82.55	116.83	168.25	235.07	497.82	678.61	891.47	1109.92	18.03	27.94	35.31
	75	175	400	800	0.472	0.668	0.962	1.344	2.843	3.880	5.097	6.346	0.00071	0.00110	0.00139
2MM219WI	360	890	2000	4000	86.75	126.10	179.97	250.98	517.46	726.88	932.74	1183.02	20.07	28.96	37.08
	80	200	450	900	0.496	0.721	1.029	1.435	2.955	4.156	5.333	6.764	0.00079	0.00114	0.00146
2MM220WI	380	1110	2220	4450	88.85	137.65	187.14	261.30	531.57	795.80	1000.08	1245.99	25.91	27.43	39.62
	85	250	500	1000	0.508	0.787	1.070	1.494	3.036	4.550	5.718	7.124	0.00102	0.00108	0.00156
2MM222WI	440	1330	2670	5340	98.64	153.91	208.48	289.81	580.64	881.32	1108.17	1381.36	28.19	29.46	42.93
	100	300	600	1200	0.564	0.880	1.192	1.657	3.316	5.039	6.336	7.898	0.00111	0.00116	0.00169
2MM224WI	490	1470	2940	5870	102.84	158.81	215.65	300.13	610.16	926.97	1166.06	1453.59	29.46	31.24	45.47
	110	330	660	1320	0.588	0.908	1.233	1.716	3.484	5.300	6.667	8.311	0.00116	0.00123	0.00179
2MM226WI	560	1650	3290	6580	121.21	186.44	252.38	350.32	715.23	1089.45	1372.44	1712.80	27.94	29.97	43.69
	125	370	740	1480	0.693	1.066	1.443	2.003	4.084	6.229	7.847	9.793	0.00110	0.00118	0.00172
2MM230WI	690	1890	3780	7560	130.3	192.74	258.85	356.10	758.85	1136.85	1437.33	1797.97	29.46	33.53	49.28
	155	425	850	1700	0.745	1.102	1.480	2.036	4.333	6.500	8.218	10.280	0.00116	0.00132	0.00194

⁽¹⁾ For DB or DF arrangements only. For other mounting arrangements, contact your Timken representative.

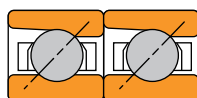
LIGHT
3MM200WI
ISO O2 SERIES

DUPLEX
PERFORMANCE DATA

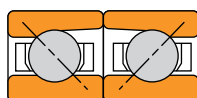
MOUNTING ARRANGEMENTS



Back-to-Back
DB



Tandem
DT



Face-to-Face
DF

Bearing Number	Preload				Axial Stiffness ⁽¹⁾			Radial Stiffness ⁽¹⁾			Spacer Offsets ⁽¹⁾		
	DUX X-light	DUL Light	DUM Med.	DUH Heavy	Light	Med.	Heavy	Light	Med.	Heavy	X-light to Light	Light to Med.	Med. to Heavy
	N lbs.				N/ μ m 10 ⁶ lbs./in.			N/ μ m 10 ⁶ lbs./in.			μ m in.		
3MM200WI	—	40	130	270	39.35	59.99	79.75	84.65	121.38	150.94	—	7.11	7.62
	—	10	30	60	0.225	0.343	0.456	0.484	0.694	0.863	—	0.00028	0.00030
3MM201WI	—	40	130	270	44.77	67.51	88.85	94.10	135.90	169.48	—	6.35	6.86
	—	10	30	60	0.256	0.386	0.508	0.538	0.777	0.969	—	0.00025	0.00027
3MM202WI	—	70	180	360	55.44	80.45	106.51	115.96	160.21	199.39	—	6.60	6.60
	—	15	40	80	0.317	0.460	0.609	0.663	0.916	1.140	—	0.00026	0.00026
3MM203WI	—	90	330	440	63.84	105.99	119.28	132.92	204.46	223.87	—	11.43	4.06
	—	20	75	100	0.365	0.606	0.682	0.760	1.169	1.280	—	0.00045	0.00016
3MM204WI	—	130	360	560	75.21	109.66	131.35	159.51	220.02	253.26	—	9.65	6.60
	—	30	80	125	0.430	0.627	0.751	0.912	1.258	1.448	—	0.00038	0.00026
3MM205WI	—	160	400	670	89.20	128.20	157.76	189.59	258.50	303.98	—	8.89	7.37
	—	35	90	150	0.510	0.733	0.902	1.084	1.478	1.738	—	0.00035	0.00029
3MM206WI	—	220	560	890	106.16	150.76	182.42	227.02	306.77	356.10	—	10.41	7.87
	—	50	125	200	0.607	0.862	1.043	1.298	1.754	2.036	—	0.00041	0.00031
3MM207WI	130	310	780	1330	126.45	179.62	223.52	267.42	360.99	428.33	6.86	12.19	12.19
	30	70	175	300	0.723	1.027	1.278	1.529	2.064	2.449	0.00027	0.00048	0.00048
3MM208WI	160	360	890	1330	132.57	187.84	220.90	275.64	372.71	423.96	7.11	13.21	8.64
	35	80	200	300	0.758	1.074	1.263	1.576	2.131	2.424	0.00028	0.00052	0.00034
3MM209WI	180	440	1110	1780	159.86	226.85	274.24	332.14	448.44	520.50	7.87	13.72	10.67
	40	100	250	400	0.914	1.297	1.568	1.899	2.564	2.976	0.00031	0.00054	0.00042
3MM210WI	200	490	1220	2000	173.68	246.43	300.65	360.12	486.22	568.25	7.62	13.97	11.43
	45	110	275	450	0.993	1.409	1.719	2.059	2.780	3.249	0.00030	0.00055	0.00045
3MM211WI	220	620	1560	2450	193.61	274.94	330.21	407.34	549.71	634.36	9.65	15.75	11.68
	50	140	350	550	1.107	1.572	1.888	2.329	3.143	3.627	0.00038	0.00062	0.00046
3MM212WI	240	760	1890	2890	213.73	303.63	360.47	450.02	607.43	695.05	11.18	17.53	11.94
	55	170	425	650	1.222	1.736	2.061	2.573	3.473	3.974	0.00044	0.00069	0.00047
3MM213WI	270	850	2110	3340	225.62	320.42	385.65	474.50	640.48	740.18	11.94	18.54	13.72
	60	190	475	750	1.290	1.832	2.205	2.713	3.662	4.232	0.00047	0.00073	0.00054
3MM214WI	290	890	2220	3560	231.39	328.46	397.37	492.87	665.67	772.53	12.19	19.05	14.73
	65	200	500	800	1.323	1.878	2.272	2.818	3.806	4.417	0.00048	0.00075	0.00058
3MM215WI	360	980	2450	3780	250.28	355.75	424.13	532.75	719.19	825.53	11.68	19.30	13.72
	80	220	550	850	1.431	2.034	2.425	3.046	4.112	4.720	0.00046	0.00076	0.00054
3MM216WI	400	1110	2780	4450	269.87	383.03	462.79	570.35	770.61	894.61	12.45	20.32	15.75
	90	250	625	1000	1.543	2.190	2.646	3.261	4.406	5.115	0.00049	0.00080	0.00062
3MM217WI	440	1200	3000	4890	280.36	397.37	483.42	600.43	812.41	949.18	12.45	21.08	17.02
	100	270	675	1100	1.603	2.272	2.764	3.433	4.645	5.427	0.00049	0.00083	0.00067
3MM218WI	490	1330	3110	5560	286.14	394.75	498.12	608.83	805.06	968.42	13.72	20.83	21.84
	110	300	700	1250	1.636	2.257	2.848	3.481	4.603	5.537	0.00054	0.00082	0.00086
3MM219WI	560	1560	3110	6230	310.27	402.97	531.00	655.70	824.65	1029.29	15.24	17.27	26.67
	125	350	700	1400	1.774	2.304	3.036	3.749	4.715	5.885	0.00060	0.00068	0.00105
3MM220WI	600	1730	3470	6940	328.29	426.41	561.60	694.18	873.45	1090.50	16.26	18.29	27.94
	135	390	780	1560	1.877	2.438	3.211	3.969	4.994	6.235	0.00064	0.00072	0.00110
3MM222WI	690	2050	4082	8180	359.94	466.81	613.90	762.39	960.03	1199.46	17.78	19.81	30.23
	155	460	920	1840	2.058	2.669	3.510	4.359	5.489	6.858	0.00070	0.00078	0.00119
3MM224WI	820	2250	4480	8980	377.78	490.07	643.98	805.76	1014.77	1267.85	17.53	20.57	31.50
	185	505	1010	2020	2.160	2.802	3.682	4.607	5.802	7.249	0.00069	0.00081	0.00124
3MM226WI	980	2560	5120	10230	448.09	580.49	761.86	954.08	1190.72	1503.97	16.51	19.81	30.48
	220	575	1150	2300	2.562	3.319	4.356	5.455	6.808	8.599	0.00065	0.00078	0.00120
3MM230WI	1290	3110	6230	12450	473.63	612.32	801.04	1009.87	1276.25	1598.24	17.53	22.86	35.05
	290	700	1400	2800	2.708	3.501	4.580	5.774	7.297	9.138	0.00069	0.0009	0.00138

⁽¹⁾ For DB or DF arrangements only. For other mounting arrangements, contact your Timken representative.

**LIGHT 2MM200WI
ISO 02 SERIES**

SPEED CAPABILITY DATA

Bearing Number	Grease Capacity ⁽¹⁾				Operating Speeds ⁽⁴⁾ (DB Mounting) ⁽⁵⁾					
	Low Speed ⁽²⁾		High Speed ⁽³⁾		Grease			Oil		
	25%	40%	15%	20%	DUL	DUM	DUH	DUL	DUM	DUH
	grams		grams		RPM			RPM		
2MM200WI	0.30	0.50	0.20	0.27	50200	37700	25100	85300	64100	42700
2MM201WI	0.40	0.60	0.25	0.33	45400	34000	22200	79100	57800	39400
2MM202WI	0.50	0.80	0.32	0.43	38200	28700	19100	66300	48800	33200
2MM203WI	0.70	1.10	0.45	0.59	33500	25100	16500	58100	42700	29100
2MM204WI	1.10	1.70	0.72	0.96	28600	21400	14300	48600	36400	24300
2MM205WI	1.30	2.10	0.88	1.18	23800	17900	11900	40500	30400	20200
2MM206WI	2.00	3.10	1.31	1.74	20000	15100	10000	34200	25600	17000
2MM207WI	2.70	4.40	1.82	2.43	17300	13,000	8600	29400	22000	14600
2MM208WI	3.70	6.00	2.49	3.32	15400	11600	7700	26200	19700	13100
2MM209WI	4.20	6.60	2.77	3.70	14000	10500	7000	22800	17900	11900
2MM210WI	4.80	7.60	3.20	4.30	12500	9600	6400	21800	16300	10900
2MM211WI	6.10	9.70	4.10	5.40	11600	8700	5800	19700	14800	9900
2MM212WI	7.50	12.00	5.00	6.70	10600	7920	5300	18000	13500	9000
2MM213WI	9.20	14.60	6.10	8.10	9700	7260	4800	16500	12300	8200
2MM214WI	10.60	16.90	7.00	9.40	9100	6840	4600	15500	11600	7800
2MM215WI	11.60	18.60	7.80	10.30	8600	6480	4300	14600	11020	7300
2MM216WI	13.70	22.00	9.20	12.20	8100	6060	4000	13800	10300	6800
2MM217WI	16.90	27.10	11.30	15.10	7500	5640	3800	12800	9590	6500
2MM218WI	21.50	34.40	14.40	19.10	7100	5340	3600	12100	9080	6100
2MM219WI	25.80	41.40	17.30	23.00	6700	5040	3400	11400	8570	5800
2MM220WI	30.70	49.10	20.50	27.30	6400	4800	3200	10900	8160	5400
2MM222WI	42.30	67.60	28.20	37.60	5800	4320	2900	9900	7340	4900
2MM224WI	51.40	82.30	34.30	45.80	5400	4020	2700	9200	6830	4600
2MM226WI	50.80	81.30	33.90	45.20	4900	3660	2400	8300	6220	4100
2MM230WI	82.40	131.90	55.00	73.40	4200	3180	2160	7100	5410	3600

⁽¹⁾ Fill weights based on specific gravity of 0.99.

⁽²⁾ Low speed <500000 dN.

⁽³⁾ High speed ≥ 500000 dN.

⁽⁴⁾ For ceramic ball complements, use 120 percent of speeds shown.

⁽⁵⁾ For other mounting arrangement configurations, refer to the engineering section on permissible speed calculation methods.

**LIGHT 3MM200WI
ISO 02 SERIES**

SPEED CAPABILITY DATA

Bearing Number	Grease Capacity ⁽¹⁾				Operating Speeds ⁽⁴⁾ (DB Mounting) ⁽⁵⁾					
	Low Speed ⁽²⁾		High Speed ⁽³⁾		Grease			Oil		
	25%	40%	15%	20%	DUL	DUM	DUH	DUL	DUM	DUH
	grams		grams		RPM			RPM		
3MM200WI	0.30	0.50	0.20	0.27	45180	33930	22590	76770	57690	38430
3MM201WI	0.40	0.60	0.25	0.33	40860	30600	19980	71190	52020	35460
3MM202WI	0.50	0.80	0.32	0.43	34380	25830	17190	59670	43920	29880
3MM203WI	0.70	1.10	0.45	0.59	30150	22590	14850	52290	38430	26190
3MM204WI	1.10	1.70	0.72	0.96	25740	19260	12870	43740	32760	21870
3MM205WI	1.30	2.10	0.88	1.18	21420	16110	10710	36450	27360	18180
3MM206WI	2.00	3.10	1.31	1.74	18000	13590	9000	30780	23040	15300
3MM207WI	2.70	4.40	1.82	2.43	15570	11700	7740	26460	19800	13140
3MM208WI	3.70	6.00	2.49	3.32	13860	10440	6930	23580	17730	11790
3MM209WI	4.20	6.60	2.77	3.70	12600	9450	6300	20520	16110	10710
3MM210WI	4.80	7.60	3.20	4.30	11250	8640	5760	19620	14670	9810
3MM211WI	6.10	9.70	4.10	5.40	10440	7830	5220	17730	13320	8910
3MM212WI	7.50	12.00	5.00	6.70	9540	7128	4770	16200	12150	8100
3MM213WI	9.20	14.60	6.10	8.10	8730	6534	4320	14850	11070	7380
3MM214WI	10.60	16.90	7.00	9.40	8190	6156	4140	13950	10440	7020
3MM215WI	11.60	18.60	7.80	10.30	7740	5832	3870	13140	9918	6570
3MM216WI	13.70	22.00	9.20	12.20	7290	5454	3600	12420	9270	6120
3MM217WI	16.90	27.10	11.30	15.10	6750	5076	3420	11520	8631	5850
3MM218WI	21.50	34.40	14.40	19.10	6390	4806	3240	10890	8172	5490
3MM219WI	25.80	41.40	17.30	23.00	6030	4536	3060	10260	7713	5220
3MM220WI	30.70	49.10	20.50	27.30	5760	4320	2880	9810	7344	4860
3MM222WI	42.30	67.60	28.20	37.60	5220	3888	2610	8910	6606	4410
3MM224WI	51.40	82.30	34.30	45.80	4860	3618	2430	8280	6147	4140
3MM226WI	50.80	81.30	33.90	45.20	4410	3294	2160	7470	5598	3690
3MM230WI	82.40	131.90	55.00	73.40	3780	2862	1944	6390	4869	3240

⁽¹⁾ Fill weights based on specific gravity of 0.99.

⁽²⁾ Low speed <500000 dN.

⁽³⁾ High speed ≥ 500000 dN.

⁽⁴⁾ For ceramic ball complements, use 120 percent of speeds shown.

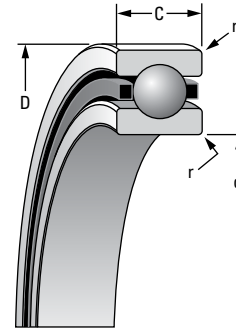
⁽⁵⁾ For other mounting arrangement configurations, refer to the engineering section on permissible speed calculation methods.



**LIGHT ISO 02 SERIES
MM200K**

SUPER PRECISION MM

Running accuracy and performance meet ABEC 9 (ISO P2) levels.
Other features conform to ABEC 7 (ISO P4) requirements.



Bearing Number	d Bore	D O.D.	C Width ⁽¹⁾	Ball Qty. x Dia.	Bearing Wt.	LOAD RATINGS						r Rad. ⁽²⁾
						Steel Ball			Ceramic Ball			
						C ₀ Static	C _e Dynamic	Speed Rating ^(N_g)	C ₀ Static	C _e Dynamic	Speed Rating ^(N_g)	
mm/in.		mm/in.	kg/lbs.	N/lbs.		RPM	N/lbs.		RPM	mm/in.		
MM201K	12	32	10	7 x 5.95	0.035	3000	7550	52200	2710	7550	62600	0.6
	0.4724	1.2598	0.3940	7 x 15/64	0.08	680	1700	52200	610	1700	62600	0.024
MM202K	15	35	11	8 x 5.95	0.043	3700	8450	44000	3290	8450	52800	0.6
	0.5906	1.3780	0.4331	8 x 15/64	0.09	830	1900	44000	740	1900	52800	0.024
MM203K	17	40	12	8 x 6.75	0.062	4700	10600	38500	4230	10600	46200	0.6
	0.6693	1.5748	0.4724	8 x 17/64	0.14	1060	2380	38500	950	2380	46200	0.024
MM204K	20	47	14	8 x 7.94	0.100	6500	14200	32800	5860	14200	39400	1.0
	0.7874	1.8504	0.5512	8 x 5/16	0.22	1460	3190	32800	1320	3190	39400	0.039
MM205K	25	52	15	9 x 7.94	0.122	7800	15500	27400	6980	15500	32900	1.0
	0.9843	2.0472	0.5906	9 x 5/16	0.27	1760	3490	27400	1570	3490	32900	0.039
MM206K	30	62	16	9 x 9.53	0.185	11300	21600	23000	10000	21600	27600	1.0
	1.1811	2.4409	0.6299	9 x 3/8	0.41	2550	4850	23000	2.25	4850	27600	0.039
MM207K	35	72	17	9 x 11.11	0.267	15300	28500	19800	13600	28500	23800	1.0
	1.3780	2.8346	0.6693	9 x 7/16	0.59	3450	6400	19800	3060	6400	23800	0.039
MM208K	40	80	18	9 x 12.70	0.337	20000	36200	17700	17700	36200	21200	1.0
	1.5748	3.1496	0.7087	9 x 1/2	0.74	4500	8130	17700	3970	8130	21200	0.039
MM209K	45	85	19	9 x 12.70	0.377	20200	36300	16000	18200	36300	19200	1.0
	1.7717	3.3465	0.7480	9 x 1/2	0.83	4550	8160	16000	4090	8160	19200	0.039
MM210K	50	90	20	10 x 12.70	0.425	23100	38900	14600	20600	38900	17500	1.0
	1.9685	3.5433	0.7874	10 x 1/2	0.94	5200	8740	14600	4640	8740	17500	0.039
MM211K	55	100	21	10 x 14.29	0.564	29100	48100	13300	26000	48100	16000	1.5
	2.1654	3.9370	0.8268	10 x 9/16	1.24	6550	10800	13300	5850	10800	16000	0.059
MM212K	60	110	22	10 x 15.88	0.727	36300	58200	12100	32000	58200	14500	1.5
	2.3622	4.3307	0.8661	10 x 5/8	1.60	8150	13100	12100	7190	13100	14500	0.059
MM213K	65	120	23	10 x 16.67	0.928	40000	63400	11100	35600	63400	13300	1.5
	2.5591	4.7244	0.9055	10 x 21/32	2.05	9000	14300	11100	8000	14300	13300	0.059
MM214K	70	125	24	10 x 17.46	0.994	43600	69000	10500	39200	69000	12600	1.5
	2.7559	4.9213	0.9449	10 x 11/16	2.19	9800	15500	10500	8800	15500	12600	0.059
MM215K	75	130	25	10 x 17.46	1.074	44500	68900	9900	39900	68900	11900	1.5
	2.9528	5.1181	0.9843	10 x 11/16	2.37	10000	15500	9900	8960	15500	11900	0.059
MM216K	80	140	26	10 x 19.05	1.317	53400	80600	9200	47200	80600	11000	2.0
	3.1496	5.5118	1.0236	10 x 3/4	2.90	12000	18100	9200	10600	18100	11000	0.079

^(N_g) For a single, grease-lubricated, spring-preloaded bearing. This value to be used in permissible operating speed (Sp) calculation.

⁽¹⁾ Width tolerance of preloaded bearing set +0.000/-0.254 mm (+0.0000/-0.0100 in.).

⁽²⁾ ABMA STD 20 (r_{as} max).

DEEP-GROOVE (CONRAD) CONSTRUCTION

- Incorporates high shoulder on both inner and outer rings.
- Balls separated by two-piece and piloted cage.

Suggested Shoulder Diameters				Shaft Diameter		Mounting Fits		FIXED				FLOATING			
Shaft		Housing		Max.	Min.	Loose	Tight	Housing Bore (Stationary)		Mounting Fits		Housing Bore (Stationary)		Mounting Fits	
Max.	Min.	Max.	Min.					Max.	Min.	Tight	Loose	Max.	Min.	Max.	Min.
mm/in.		mm/in.		mm/in.		mm/in.		mm/in.		mm/in.		mm/in.		mm/in.	
16.6	16.4	28.1	27.8	12.000	11.995	0.005	0.004	32.005	32.000	0.000	0.011	32.010	32.005	0.016	0.005
0.66	0.65	1.11	1.10	0.47240	0.47220	0.00020	0.00015	1.26000	1.25980	0.00000	0.00045	1.26020	1.26000	0.00070	0.00020
19.2	18.9	31.1	30.9	15.000	14.995	0.005	0.004	35.006	35.000	0.000	0.012	35.010	35.005	0.016	0.005
0.76	0.75	1.23	1.22	0.59060	0.59040	0.00020	0.00015	1.37830	1.37800	0.00000	0.00050	1.37840	1.37820	0.00070	0.00020
21.7	21.5	35.7	35.4	17.000	16.995	0.005	0.004	40.006	40.000	0.000	0.012	40.010	40.005	0.016	0.005
0.86	0.85	1.41	1.40	0.66930	0.66910	0.00020	0.00015	1.57510	1.57480	0.00000	0.00050	1.57520	1.57500	0.00070	0.00020
26.0	25.8	41.5	41.3	20.000	19.995	0.005	0.005	47.006	47.000	0.000	0.012	47.012	47.007	0.018	0.007
1.03	1.02	1.64	1.63	0.78740	0.78720	0.00020	0.00020	1.85070	1.85040	0.00000	0.00050	1.85090	1.85070	0.00080	0.00030
31.1	30.9	47.1	46.9	25.000	24.995	0.005	0.005	52.006	52.000	0.000	0.013	52.012	52.007	0.019	0.007
1.23	1.22	1.86	1.85	0.98430	0.98410	0.00020	0.00020	2.04750	2.04720	0.00000	0.00055	2.04770	2.04750	0.00080	0.00030
36.7	36.5	56.0	55.8	30.000	29.995	0.005	0.005	62.008	62.000	0.000	0.015	62.012	62.007	0.019	0.007
1.45	1.44	2.21	2.20	1.18110	1.18090	0.00020	0.00020	2.44120	2.44090	0.00000	0.00060	2.44140	2.44120	0.00080	0.00030
42.7	42.2	65.3	64.8	35.000	34.995	0.005	0.006	72.008	72.000	0.000	0.015	72.011	72.007	0.019	0.007
1.68	1.66	2.57	2.55	1.37800	1.37780	0.00020	0.00025	2.83490	2.83460	0.00000	0.00060	2.83510	2.83490	0.00080	0.00030
47.8	47.2	73.2	72.6	40.000	39.995	0.005	0.006	80.008	80.000	0.000	0.015	80.012	80.008	0.020	0.008
1.88	1.86	2.88	2.86	1.57480	1.57460	0.00020	0.00025	3.14990	3.14960	0.00000	0.00060	3.15010	3.14990	0.00080	0.00030
52.8	52.3	78.2	77.7	45.000	44.995	0.005	0.006	85.008	85.000	0.000	0.016	85.016	85.009	0.024	0.009
2.08	2.06	3.08	3.06	1.77170	1.77150	0.00020	0.00025	3.34680	3.34650	0.00000	0.00060	3.34710	3.34680	0.00090	0.00030
57.9	57.4	83.3	82.8	50.000	49.995	0.005	0.006	90.008	90.000	0.000	0.016	90.015	90.007	0.023	0.007
2.28	2.26	3.28	3.26	1.96850	1.96830	0.00020	0.00025	3.54360	3.54330	0.00000	0.00060	3.54390	3.54360	0.00090	0.00030
63.8	63.3	92.2	91.7	55.000	54.995	0.005	0.007	100.008	100.000	0.000	0.016	100.018	100.010	0.025	0.010
2.51	2.49	3.63	3.61	2.16540	2.16520	0.00020	0.00030	3.93730	3.93700	0.00000	0.00060	3.93770	3.93740	0.00100	0.00040
69.9	69.3	101.4	100.8	60.000	59.995	0.005	0.007	110.008	110.000	0.000	0.016	110.018	110.010	0.025	0.010
2.75	2.73	3.99	3.97	2.36220	2.36200	0.00020	0.00030	4.33100	4.33070	0.00000	0.00060	4.33140	4.33110	0.00100	0.00040
76.2	75.7	109.7	109.2	65.000	64.995	0.005	0.007	120.008	120.000	0.000	0.016	120.018	120.010	0.025	0.010
3.00	2.98	4.32	4.30	2.55910	2.55890	0.00020	0.00030	4.72470	4.72440	0.00000	0.00060	4.72510	4.72480	0.00100	0.00040
80.8	80.3	115.8	115.3	70.000	69.995	0.005	0.007	125.008	125.000	0.000	0.017	125.021	125.011	0.030	0.011
3.18	3.16	4.56	4.54	2.75590	2.75570	0.00020	0.00030	4.92160	4.92130	0.00000	0.00070	4.92210	4.92170	0.00120	0.00040
86.0	85.2	120.8	120.0	75.005	74.995	0.005	0.012	130.009	130.000	0.000	0.018	130.020	130.010	0.029	0.010
3.39	3.36	4.76	4.73	2.95300	2.95260	0.00020	0.00050	5.11850	5.11810	0.00000	0.00070	5.11890	5.11850	0.00110	0.00040
91.3	90.6	129.9	129.2	80.005	79.995	0.005	0.012	140.009	140.000	0.000	0.018	140.020	140.010	0.029	0.010
3.60	3.57	5.12	5.09	3.14980	3.14940	0.00020	0.00050	5.51220	5.51180	0.00000	0.00070	5.51260	5.51220	0.00110	0.00040

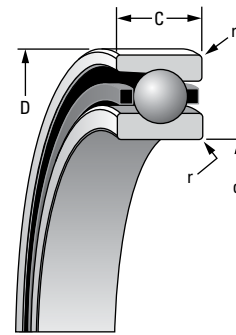


MEDIUM ISO 03 SERIES
2(3)MM300WI

SUPER PRECISION MM

Running accuracy and performance meet ABEC 9 (ISO P2) levels.

Other features conform to ABEC 7 (ISO P4) requirements.



Bearing Number 2MM or 3MM	d Bore	D O.D.	C Width ⁽¹⁾	Ball Qty. x Dia.	Bearing Wt.	(2MM) LOAD RATINGS						(3MM) LOAD RATINGS					
						Steel Ball			Ceramic Ball			Steel Ball			Ceramic Ball		
						C ₀ Static	C _e Dynamic	Speed Rating ^(N_g)	C ₀ Static	C _e Dynamic	Speed Rating ^(N_g)	C ₀ Static	C _e Dynamic	Speed Rating ^(N_g)	C ₀ Static	C _e Dynamic	Speed Rating ^(N_g)
	mm/in.	mm/in.	mm/in.	mm/in.	kg/lbs.	N/lbs.	RPM	N/lbs.	RPM	N/lbs.	RPM	N/lbs.	RPM	N/lbs.	RPM		
301WI	12 0.4724	37 1.4567	12 0.4724	8 x 7.14 8 x 9/32	0.061 0.13	4700 1060	11000 2450	47600 47600	4230 950	11000 2450	57100 57100	4600 1040	10900 2450	42800 42800	4060 920	10900 2450	51400 51400
302WI	15 0.5906	42 1.6535	13 0.5118	10 x 6.75 10 x 17/64	0.087 0.19	5810 1320	12000 2700	38100 38100	5170 1160	12900 2700	45700 45700	5600 1270	11600 2600	34300 34300	5000 1120	11600 2600	41200 41200
303WI	17 0.6693	47 1.8504	14 0.5512	7 x 9.53 7 x 3/8	0.104 0.23	7280 1630	16900 3790	36800 36800	6480 1460	16900 3790	44200 44100	7100 1600	16400 3690	33100 33100	6300 1420	16400 3690	39700 39700
304WI	20 0.7874	52 2.0472	15 0.5906	8 x 10.32 8 x 13/32	0.137 0.30	10000 2200	21500 4840	32200 32200	8900 2000	21500 4840	38600 38600	9650 2160	20900 4700	29000 29000	8590 1930	20900 4700	34800 34800
305WI	25 0.9843	62 2.4409	17 0.6693	9 x 11.91 9 x 15/32	0.221 0.49	15300 3450	30500 6850	26200 26200	13600 3060	30500 6850	31400 31400	14800 3350	29500 6630	23600 23600	13200 2970	29500 6630	28300 28300
306WI	30 1.1811	72 2.8346	19 0.7480	10 x 13.49 10 x 17/32	0.328 0.72	22200 4990	34120 9270	22100 22100	19800 4440	34120 9270	26500 26500	21500 4820	39900 8960	19900 19900	19100 4290	39900 8960	23900 23900
307WI	35 1.3780	80 3.1496	21 0.8268	10 x 14.29 10 x 9/16	0.443 0.98	25600 5700	46200 10400	19200 19200	22800 5130	46200 10400	23000 23000	24700 5600	44500 10000	17300 17300	22000 4940	44500 10000	20800 20800
308WI	40 1.5748	90 3.5433	23 0.9055	11 x 15.88 11 x 5/8	0.608 1.34	35000 7800	59700 13400	16900 16900	31200 7010	59700 13400	20300 20300	33800 7600	57500 12900	15200 15200	30100 6770	57500 12900	18200 18200
309WI	45 1.7717	100 3.9370	25 0.9843	10 x 17.46 10 x 11/16	0.809 1.78	38700 8650	66500 15000	15100 15100	34500 7750	66500 15000	18100 18100	37400 8500	64100 14400	13600 13600	33300 7480	64100 14400	16300 16300
310WI	50 1.9685	110 4.3307	27 1.0630	10 x 19.05 10 x 3/4	1.046 2.31	46200 10400	77900 17500	13600 13600	41200 9250	77900 17500	16300 16300	44700 10000	75100 16900	12200 12200	39800 8940	75100 16900	14600 14600
311WI	55 2.1654	120 4.7244	29 1.1417	10 x 20.64 10 x 13/16	1.332 2.94	54600 12200	90200 20300	12400 12400	48600 10900	90200 20300	14900 14900	52600 11800	86700 19500	11200 11200	46800 10500	86700 19500	13400 13400
312WI	60 2.3622	130 5.1181	31 1.2205	10 x 22.23 10 x 7/8	1.665 3.67	63500 14300	103100 23200	11400 11400	56600 12700	103100 23200	13700 13700	61000 13700	99100 22300	10300 10300	54400 12200	99100 22300	12400 12400
313WI	65 2.5591	140 5.5118	33 1.2992	11 x 23.81 11 x 15/16	2.101 4.63	80500 18000	124400 28000	10500 10500	71700 16100	124400 28000	12600 12600	77400 17300	119700 26900	9500 9500	68900 15500	119700 26900	11400 11400
314WI	70 2.7559	150 5.9055	35 1.3780	11 x 25.40 11 x 1	2.548 5.62	91900 20800	139900 31500	9800 9800	81800 18400	139900 31500	11800 11800	88300 20000	134500 30200	8800 8800	78500 17700	134500 30200	10600 10600
319WI	95 3.7402	200 7.8740	45 1.7717	10 x 34.93 10 x 1 3/8	5.587 12.32	155900 35100	204400 46000	7400 7400	138800 31200	204400 46000	8900 8900	150400 33800	196800 44200	6700 6700	133900 30100	196800 44200	8000 8000

^(N_g) For a single, grease-lubricated, spring-preloaded bearing. This value to be used in permissible operating speed (Sp) calculation.

⁽¹⁾ Width tolerance of preloaded bearing set +0.000/-0.254 mm (+0.0000/-0.0100 in.).

⁽²⁾ ABMA STD 20 (r_{as} max).

WI CONSTRUCTION

- Incorporates low shoulder on non-thrust side of outer rings.
- Balls separated by one-piece cage piloted against a ground thrust shoulder land of the outer ring.

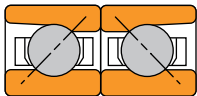
r Rad. ⁽²⁾	Suggested Shoulder Diameters				Shaft Diameter		Mounting Fits		FIXED				FLOATING			
	Shaft		Housing		Max.	Min.	Loose	Tight	Housing Bore (Stationary)		Mounting Fits		Housing Bore (Stationary)		Mounting Fits	
	Max.	Min.	Max.	Min.					Max.	Min.	Tight	Loose	Max.	Min.	Loose	Loose
mm/in.	mm/in.		mm/in.		mm/in.		mm/in.		mm/in.		mm/in.		mm/in.		mm/in.	
1.0	17.7	17.4	32.1	31.9	12.000	11.995	0.005	0.004	37.006	37.000	0.000	0.012	37.010	37.005	0.016	0.005
0.039	0.70	0.69	1.27	1.26	0.47240	0.47220	0.00020	0.00015	1.45700	1.45670	0.00000	0.00050	1.45710	1.45690	0.00070	0.00020
1.0	22.2	22.0	35.7	35.4	15.000	14.995	0.005	0.004	42.006	42.000	0.000	0.012	42.010	42.005	0.016	0.005
0.039	0.88	0.87	1.41	1.40	0.59060	0.59040	0.00020	0.00015	1.65380	1.65350	0.00000	0.00050	1.65390	1.65370	0.00070	0.00020
1.0	22.7	22.5	42.0	41.8	17.000	16.995	0.005	0.004	47.006	47.000	0.000	0.012	47.012	47.007	0.018	0.007
0.039	0.90	0.89	1.66	1.65	0.66930	0.66910	0.00020	0.00015	1.85070	1.85040	0.00000	0.00050	1.85090	1.85070	0.00080	0.00030
1.0	30.1	29.9	46.6	46.4	20.000	19.995	0.005	0.005	52.006	52.000	0.000	0.013	52.012	52.007	0.019	0.007
0.039	1.19	1.18	1.84	1.83	0.78740	0.78720	0.00020	0.00020	2.04750	2.04720	0.00000	0.00055	2.04770	2.04750	0.00080	0.00030
1.0	32.1	31.9	55.8	55.5	25.000	24.995	0.005	0.005	62.008	62.000	0.000	0.015	62.012	62.007	0.019	0.007
0.039	1.27	1.26	2.20	2.19	0.98430	0.98410	0.00020	0.00020	2.44120	2.44090	0.00000	0.00060	2.44140	2.44120	0.00080	0.00030
1.0	37.7	37.5	65.2	64.9	30.000	29.995	0.005	0.005	72.008	72.000	0.000	0.015	72.011	72.007	0.019	0.007
0.039	1.49	1.48	2.57	2.56	1.18110	1.18090	0.00020	0.00020	2.83490	2.83460	0.00000	0.00060	2.83510	2.83490	0.00080	0.00030
1.5	43.7	43.2	72.1	71.6	35.000	34.995	0.005	0.006	80.008	80.000	0.000	0.015	80.012	80.008	0.020	0.008
0.059	1.72	1.70	2.84	2.82	1.37800	1.37780	0.00020	0.00025	3.14990	3.14960	0.00000	0.00060	3.15010	3.14990	0.00080	0.00030
1.5	49.8	49.3	81.3	80.8	40.000	39.995	0.005	0.006	90.008	90.000	0.000	0.016	90.015	90.007	0.023	0.007
0.059	1.96	1.94	3.20	3.18	1.57480	1.57460	0.00020	0.00025	3.54360	3.54330	0.00000	0.00060	3.54390	3.54360	0.00090	0.00030
1.5	55.9	55.4	90.2	89.7	45.000	44.995	0.005	0.006	100.008	100.000	0.000	0.016	100.018	100.010	0.025	0.010
0.059	2.20	2.18	3.55	3.53	1.77170	1.77150	0.00020	0.00025	3.93730	3.93700	0.00000	0.00060	3.93770	3.93740	0.00100	0.00040
2.0	61.2	60.7	99.8	99.3	50.000	49.995	0.005	0.006	110.008	110.000	0.000	0.016	110.018	110.010	0.025	0.010
0.079	2.41	2.39	3.93	3.91	1.96850	1.96830	0.00020	0.00025	4.33100	4.33070	0.00000	0.00060	4.33140	4.33110	0.00100	0.00040
2.0	67.3	66.8	108.7	108.2	55.000	54.995	0.005	0.007	120.008	120.000	0.000	0.016	120.018	120.010	0.025	0.010
0.079	2.65	2.63	4.28	4.26	2.16540	2.16520	0.00020	0.00030	4.72470	4.72440	0.00000	0.00060	4.72510	4.72480	0.00100	0.00040
2.0	73.1	72.6	117.9	117.3	60.000	59.995	0.005	0.007	130.009	130.000	0.000	0.018	130.020	130.010	0.029	0.010
0.079	2.88	2.86	4.64	4.62	2.36220	2.36200	0.00020	0.00030	5.11850	5.11810	0.00000	0.00070	5.11890	5.11850	0.00110	0.00040
2.0	80.3	79.8	126.8	126.2	65.000	64.995	0.005	0.007	140.009	140.000	0.000	0.018	140.020	140.010	0.029	0.010
0.079	3.16	3.14	4.99	4.97	2.55910	2.55890	0.00020	0.00030	5.51220	5.51180	0.00000	0.00070	5.51260	5.51220	0.00110	0.00040
2.0	85.3	84.8	135.6	135.1	70.000	69.995	0.005	0.007	150.009	150.000	0.000	0.018	150.023	150.012	0.032	0.012
0.079	3.36	3.34	5.34	5.32	2.75590	2.75570	0.00020	0.00030	5.90590	5.90550	0.00000	0.00070	5.90640	5.90600	0.00120	0.00050
3.0	113.2	112.4	183.3	182.5	95.000	94.995	0.005	0.013	200.011	200.000	0.000	0.022	200.025	200.015	0.036	0.015
0.118	4.46	4.43	7.22	7.19	3.74016	3.73996	0.00020	0.00051	7.87402	7.87445	0.00000	0.00087	7.87500	7.87461	0.00142	0.00059



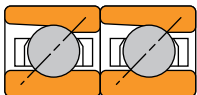
MEDIUM
2(3)MM300WI
ISO 03 SERIES

DUPLEX
PERFORMANCE DATA

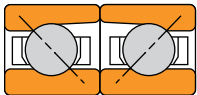
MOUNTING ARRANGEMENTS



**Back-to-Back
DB**



**Tandem
DT**



**Face-to-Face
DF**

Bearing Number	Preload				Axial Stiffness ⁽¹⁾				Radial Stiffness ⁽¹⁾				Spacer Offsets ⁽¹⁾		
	X-light	DUL Light	DUM Med.	DUH Heavy	X-light	Light	Med.	Heavy	X-light	Light	Med.	Heavy	X-light to Light	Light to Med.	Med. to Heavy
	N lbs.				N/μm 10 ⁶ lbs./in.				N/μm 10 ⁶ lbs./in.				μm in.		
2MM301WI	—	20	70	180	—	17.49	27.81	44.25	—	98.82	153.56	183.30	—	7.87	12.45
	—	5	15	40	—	0.100	0.159	0.253	—	0.565	0.878	1.048	—	0.00031	0.00049
2MM302WI	20	40	110	220	—	27.46	40.93	57.19	109.97	143.24	164.93	205.51	3.70	7.87	9.14
	5	10	25	50	—	0.157	0.234	0.327	0.628	0.819	0.943	1.175	0.00015	0.00031	0.00036
2MM303WI	40	70	160	310	—	26.58	38.83	54.57	127.92	147.44	197.46	263.05	3.63	10.92	13.46
	10	15	35	70	—	0.152	0.222	0.312	0.730	0.843	1.129	1.504	0.00014	0.00043	0.00053
2MM304WI	40	90	220	400	—	33.06	49.85	66.46	140.53	181.72	232.97	289.81	6.14	12.95	12.92
	10	20	50	90	—	0.189	0.285	0.380	0.803	1.039	1.332	1.657	0.00024	0.00051	0.00051
2MM305WI	90	160	330	620	—	46.17	65.24	88.50	203.85	247.83	318.78	387.86	6.42	12.70	14.99
	20	35	75	140	—	0.264	0.373	0.506	1.164	1.417	1.820	2.215	0.00025	0.00050	0.00059
2MM306WI	90	180	440	780	—	49.50	74.68	98.47	223.77	271.27	394.56	470.83	7.73	17.27	15.49
	20	40	100	175	—	0.283	0.427	0.563	1.278	1.551	2.253	2.689	0.00030	0.00068	0.00061
2MM307WI	110	220	560	1000	—	55.97	85.18	114.38	251.87	323.91	438.09	526.52	9.05	18.80	17.78
	25	50	125	225	—	0.320	0.487	0.654	1.438	1.852	2.502	3.007	0.00036	0.00074	0.00070
2MM308WI	130	290	670	1220	—	64.71	94.62	127.85	290.33	364.67	512.52	620.41	10.56	19.05	20.07
	30	65	150	275	—	0.370	0.541	0.731	1.658	2.085	2.927	3.543	0.00042	0.00075	0.00079
2MM309WI	180	330	780	1560	—	70.13	103.02	145.17	313.69	393.18	520.48	646.82	10.00	20.57	25.15
	40	75	175	350	—	0.401	0.589	0.830	1.791	2.248	2.972	3.694	0.00039	0.00081	0.00099
2MM310WI	220	440	1000	1780	—	81.15	117.36	156.01	347.72	445.06	580.34	694.99	12.52	22.35	22.86
	50	100	225	400	—	0.464	0.671	0.892	1.986	2.541	3.314	3.969	0.00049	0.00088	0.00090
2MM311WI	270	560	1110	2110	—	88.15	121.38	167.20	383.15	496.30	622.37	761.00	15.05	21.34	27.69
	60	125	250	475	—	0.504	0.694	0.956	2.188	2.834	3.554	4.346	0.00059	0.00084	0.00109
2MM312WI	270	560	1330	2450	—	89.72	133.80	180.85	387.61	506.89	675.70	816.95	14.75	27.94	28.19
	60	125	300	550	—	0.513	0.765	1.034	2.213	2.895	3.859	4.665	0.00058	0.00110	0.00111
2MM313WI	330	670	1670	3000	—	104.24	157.93	211.28	453.84	585.60	791.90	952.23	14.55	30.48	28.96
	75	150	375	675	—	0.596	0.903	1.208	2.592	3.344	4.522	5.438	0.00057	0.00120	0.00114
2MM314WI	400	780	1890	3450	—	110.89	166.33	224.22	498.33	633.95	848.58	1024.31	15.49	32.26	32.00
	90	175	425	775	—	0.634	0.951	1.282	2.846	3.620	4.846	5.849	0.00061	0.00127	0.00126
2MM319WI	670	1330	3110	6230	—	140.44	206.03	290.33	611.00	787.43	1041.02	1293.71	21.67	41.05	50.24
	150	300	700	1400	—	0.803	1.178	1.660	3.489	4.497	5.945	7.388	0.00085	0.00162	0.00198

3MM301WI	40	90	180	310	—	58.59	76.61	96.37	96.32	122.54	153.78	183.56	3.42	5.33	6.10
	10	20	40	70	—	0.335	0.438	0.551	0.550	0.700	0.878	1.048	0.00013	0.00021	0.00024
3MM302WI	40	90	180	360	—	66.46	86.75	115.08	108.95	139.15	174.90	217.90	2.99	4.57	7.11
	10	20	40	80	—	0.380	0.496	0.658	0.622	0.795	0.999	1.244	0.00012	0.00018	0.00028
3MM303WI	40	110	270	440	—	63.66	89.02	109.49	93.69	132.92	176.19	207.22	4.85	8.13	7.11
	10	25	60	100	—	0.364	0.509	0.626	0.535	0.760	1.006	1.183	0.00019	0.00032	0.00028
3MM304WI	90	160	360	620	—	79.23	108.96	136.77	136.71	159.51	220.02	261.18	3.70	8.38	8.64
	20	35	80	140	—	0.453	0.623	0.782	0.781	0.912	1.258	1.491	0.00015	0.00033	0.00034
3MM305WI	110	220	530	890	—	101.62	142.19	174.90	165.18	212.03	283.21	333.10	4.90	10.16	8.89
	25	50	120	200	—	0.581	0.813	1.000	0.943	1.211	1.617	1.902	0.00019	0.00040	0.00035
3MM306WI	135	270	670	1110	—	112.29	159.33	196.06	193.95	252.07	342.44	403.21	4.99	11.68	9.91
	30	60	150	250	—	0.642	0.911	1.121	1.108	1.439	1.955	2.303	0.00020	0.00046	0.00039
3MM307WI	180	360	850	1560	—	134.85	187.84	241.01	221.46	284.26	378.37	459.17	5.93	12.19	13.21
	40	80	190	350	—	0.771	1.074	1.378	1.265	1.623	2.161	2.622	0.00023	0.00048	0.00052
3MM308WI	220	440	1110	1780	—	150.41	214.08	259.20	261.11	336.84	456.64	530.40	6.22	14.48	11.18
	50	100	250	400	—	0.860	1.224	1.482	1.491	1.923	2.608	3.029	0.00025	0.00057	0.00044
3MM309WI	270	530	1330	2220	—	165.98	235.94	290.51	269.80	332.14	468.66	551.00	7.20	15.75	13.46
	60	120	300	500	—	0.949	1.349	1.661	1.541	1.899	2.676	3.146	0.00028	0.00062	0.00053
3MM310WI	310	620	1560	2670	—	178.75	254.13	316.57	293.47	360.12	510.36	605.40	7.83	17.27	15.49
	70	140	350	600	—	1.022	1.453	1.810	1.676	2.059	2.914	3.457	0.00031	0.00068	0.00061
3MM311WI	400	780	1780	3110	—	198.16	272.32	342.10	328.74	407.34	547.14	653.40	8.51	17.02	17.27
	90	175	400	700	—	1.133	1.557	1.956	1.877	2.329	3.124	3.731	0.00034	0.00067	0.00068
3MM312WI	450	890	2000	3560	—	213.38	291.21	367.81	347.62	450.02	582.53	699.31	9.35	17.53	18.80
	100	200	450	800	—	1.220	1.665	2.103	1.985	2.573	3.326	3.993	0.00037	0.00069	0.00074
3MM313WI	560	1110	2670	4450	—	249.23	348.93	429.55	409.70	525.26	701.21	824.51	10.03	20.83	18.29
	125	250	600	1000	—	1.425	1.995	2.456	2.340	2.999	4.004	4.708	0.00039	0.00082	0.00072
3MM314WI	620	1220	2890	5120	—	262.52	365.02	460.34	433.61	552.97	735.10	881.07	10.22	21.08	21.59
	140	275	650	1150	—	1.501	2.087	2.632	2.476	3.158	4.198	5.031	0.00040	0.00083	0.00085
3MM319WI	1070	2110	4890	8900	—	328.81	453.52	578.22	541.62	692.64	914.62	1105.79	14.24	28.19	30.99
	240	475	1100	2000	—	1.880	2.593	3.306	3.093	3.955	5.223	6.315	0.00056	0.00111	0.00122

⁽¹⁾ For DB or DF arrangements only. For other mounting arrangements, contact your Timken representative.

MEDIUM 2(3)MM300WI
ISO 03 SERIES

SPEED CAPABILITY DATA

Bearing Number	Grease Capacity ⁽¹⁾				Operating Speeds ⁽⁴⁾ (DB Mounting) ⁽⁵⁾					
	Low Speed ⁽²⁾		High Speed ⁽³⁾		Grease			Oil		
	25%	40%	15%	20%	DUL	DUM	DUH	DUL	DUM	DUH
	grams		grams		RPM			RPM		
2MM301WI	0.60	1.00	0.40	0.53	35700	28600	19000	60700	48600	32400
2MM302WI	0.70	1.20	0.49	0.65	28600	22900	15200	48600	38900	25900
2MM303WI	1.20	2.00	0.83	1.10	27600	22100	14700	46900	37500	25000
2MM304WI	1.50	2.50	1.03	1.38	24200	19300	12900	41100	32800	21900
2MM305WI	2.30	3.80	1.57	2.09	19700	15700	10500	33400	26700	17800
2MM306WI	3.50	5.60	2.35	3.14	16600	13300	8800	28200	22500	15000
2MM307WI	4.60	7.40	3.07	4.10	14400	11500	7700	24500	19600	13100
2MM308WI	6.40	10.20	4.25	5.66	12700	10100	6800	21500	17200	11500
2MM309WI	8.50	13.60	5.68	7.58	11300	9100	6000	19300	15400	10300
2MM310WI	11.10	17.80	7.40	9.90	10200	8200	5400	17300	13900	9200
2MM311WI	14.20	22.70	9.50	12.60	9300	7400	5000	15800	12600	8400
2MM312WI	17.70	28.30	11.80	15.80	8600	6800	4600	14500	11600	7800
2MM313WI	20.70	33.20	13.80	18.50	7900	6300	4200	13400	10700	7100
2MM314WI	25.20	40.30	16.80	22.40	7400	5900	3900	12500	10000	6700
2MM319WI	60.90	97.40	40.60	54.10	5600	4400	3000	9400	7500	5000
3MM301WI	0.60	1.00	0.40	0.53	32130	25740	17100	54630	43740	29160
3MM302WI	0.70	1.20	0.49	0.65	25740	20610	13680	43740	35010	23310
3MM303WI	1.20	2.00	0.83	1.10	24840	19890	13230	42210	33750	22500
3MM304WI	1.50	2.50	1.03	1.38	21780	17370	11610	36990	29520	19710
3MM305WI	2.30	3.80	1.57	2.09	17730	14130	9450	30060	24030	16020
3MM306WI	3.50	5.60	2.35	3.14	14940	11970	7920	25380	20250	13500
3MM307WI	4.60	7.40	3.07	4.10	12960	10350	6930	22050	17640	11790
3MM308WI	6.40	10.20	4.25	5.66	11430	9090	6120	19350	15480	10350
3MM309WI	8.50	13.60	5.68	7.58	10170	8190	5400	17370	13860	9270
3MM310WI	11.10	17.80	7.40	9.90	9180	7380	4860	15570	12510	8280
3MM311WI	14.20	22.70	9.50	12.60	8370	6660	4500	14220	11340	7560
3MM312WI	17.70	28.30	11.80	15.80	7740	6120	4140	13050	10440	7020
3MM313WI	20.70	33.20	13.80	18.50	7110	5670	3780	12060	9630	6390
3MM314WI	25.20	40.30	16.80	22.40	6660	5310	3510	11250	9000	6030
3MM319WI	60.90	97.40	40.60	54.10	5040	3960	2700	8460	6750	4500

⁽¹⁾ Fill weights based on specific gravity of 0.99.

⁽²⁾ Low speed <500000 dN.

⁽³⁾ High speed ≥ 500000 dN.

⁽⁴⁾ For ceramic ball complements, use 120 percent of speeds shown.

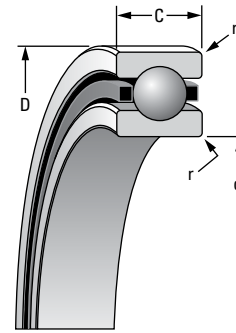
⁽⁵⁾ For other mounting arrangement configurations, refer to the engineering section on permissible speed calculation methods.



**MEDIUM ISO 03 SERIES
MM300K**

SUPER PRECISION MM

Running accuracy and performance meet ABEC 9 (ISO P2) levels.
Other features conform to ABEC 7 (ISO P4) requirements.



Bearing Number	d Bore	D O.D.	C Width ⁽¹⁾	Ball Qty. x Dia.	Bearing Wt.	LOAD RATINGS						r Rad. ⁽²⁾
						Steel Ball			Ceramic Ball			
						C ₀ Static	C _e Dynamic	Speed Rating ^(N_g)	C ₀ Static	C _e Dynamic	Speed Rating ^(N_g)	
mm/in.		mm/in.	kg/lbs.	N/lbs.		RPM	N/lbs.		RPM	mm/in.		
MM305K	25	62	17	7 x 11.9	0.222	12100	26200	26500	10800	26200	31800	1.0
	0.9843	2.4409	0.6693	7 x 15/32	0.49	2730	5890	26500	2430	5890	31800	0.039
MM306K	30	72	19	7 x 13.5	0.327	15800	33100	22300	14100	33100	26760	1.0
	1.1811	2.8346	0.7480	7 x 17/32	0.72	3560	7440	22300	3160	7440	26760	0.039
MM307K	35	80	21	7 x 14.3	0.431	18300	37100	19400	16300	37100	23280	1.5
	1.3780	3.1496	0.8268	7 x 9/16	0.95	4120	8340	19400	3670	8340	23280	0.059
MM308K	40	90	23	7 x 15.9	0.594	22800	45000	17100	20300	45000	20520	1.5
	1.5748	3.5433	0.9055	7 x 5/8	1.31	5120	10100	17100	4560	10100	20520	0.059
MM309K	45	100	25	8 x 17.5	0.807	31700	58500	15200	28200	58500	18240	1.5
	1.7717	3.9370	0.9843	8 x 11/16	1.78	7120	13200	15200	6340	13200	18240	0.059
MM310K	50	110	27	8 x 19.1	1.052	37900	68600	13800	33700	68600	16560	1.5
	1.9685	4.3307	1.0630	8 x 3/4	2.32	8510	15400	13800	7570	15400	16560	0.059
MM311K	55	120	29	8 x 20.6	1.329	44600	79300	12500	39700	79300	15000	2.0
	2.1654	4.7244	1.1417	8 x 13/16	2.93	10000	17800	12500	8920	17800	15000	0.079
MM312K	60	130	31	8 x 22.2	1.665	51800	90700	11500	46100	90700	13800	2.0
	2.3622	5.1181	1.2205	8 x 7/8	3.67	11700	20400	11500	10400	20400	13800	0.079
MM313K	65	140	33	8 x 23.8	2.046	59700	102700	10700	53100	102700	12840	2.0
	2.5591	5.5118	1.2992	8 x 15/16	4.51	13400	23100	10700	11900	23100	12840	0.079
MM314K	70	150	35	8 x 25.4	2.486	68000	115500	9900	60600	115500	11880	2.0
	2.7559	5.9055	1.3780	8 x 1	5.48	15300	26000	9900	13600	26000	11880	0.079

^(N_g) For a single, grease-lubricated, spring-preloaded bearing. This value to be used in permissible operating speed (Sp) calculation.

⁽¹⁾ Width tolerance of preloaded bearing set +0.000/-0.254 mm (+0.0000/-0.0100 in.).

⁽²⁾ ABMA STD 20 (r_{as} max).

DEEP-GROOVE (CONRAD) CONSTRUCTION

- Incorporates high shoulder on both inner and outer rings.
- Balls separated by two-piece and piloted cage.

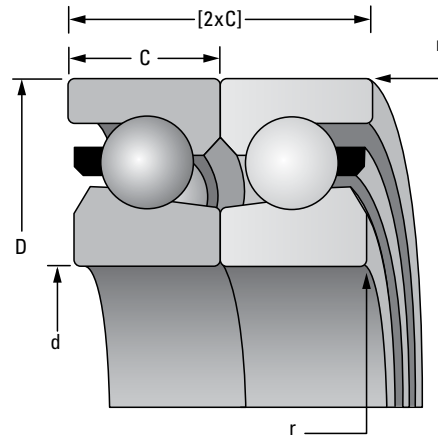
Suggested Shoulder Diameters				Shaft Diameter		Mounting Fits		FIXED				FLOATING			
Shaft		Housing		Max.	Min.	Loose	Tight	Housing Bore (Stationary)		Mounting Fits		Housing Bore (Stationary)		Mounting Fits	
Max.	Min.	Max.	Min.					Max.	Min.	Tight	Loose	Max.	Min.	Max.	Min.
mm/in.		mm/in.		mm/in.		mm/in.		mm/in.		mm/in.		mm/in.		mm/in.	
32.1	31.9	55.8	55.5	25.000	24.995	0.005	0.005	62.008	62.000	0.000	0.015	62.012	62.007	0.019	0.007
1.27	1.26	2.20	2.19	0.98430	0.98410	0.00020	0.00020	2.44120	2.44090	0.00000	0.00060	2.44140	2.44120	0.00080	0.00030
37.7	37.5	65.2	64.9	30.000	29.995	0.005	0.005	72.008	72.000	0.000	0.015	72.011	72.007	0.019	0.007
1.49	1.48	2.57	2.56	1.18110	1.18090	0.00020	0.00020	2.83490	2.83460	0.00000	0.00060	2.83510	2.83490	0.00080	0.00030
43.7	43.2	72.1	71.6	35.000	34.995	0.005	0.006	80.008	80.000	0.000	0.015	80.012	80.008	0.020	0.008
1.72	1.70	2.84	2.82	1.37800	1.37780	0.00020	0.00025	3.14990	3.14960	0.00000	0.00060	3.15010	3.14990	0.00080	0.00030
49.8	49.3	81.3	80.8	40.000	39.995	0.005	0.006	90.008	90.000	0.000	0.016	90.015	90.007	0.023	0.007
1.96	1.94	3.20	3.18	1.57480	1.57460	0.00020	0.00025	3.54360	3.54330	0.00000	0.00060	3.54390	3.54360	0.00090	0.00030
55.9	55.4	90.2	89.7	45.000	44.995	0.005	0.006	100.008	100.000	0.000	0.016	100.018	100.010	0.025	0.010
2.20	2.18	3.55	3.53	1.77170	1.77150	0.00020	0.00025	3.93730	3.93700	0.00000	0.00060	3.93770	3.93740	0.00100	0.00040
61.2	60.7	99.8	99.3	50.000	49.995	0.005	0.006	110.008	110.000	0.000	0.016	110.018	110.010	0.025	0.010
2.41	2.39	3.93	3.91	1.96850	1.96830	0.00020	0.00025	4.33100	4.33070	0.00000	0.00060	4.33140	4.33110	0.00100	0.00040
67.3	66.8	108.7	108.2	55.000	54.995	0.005	0.007	120.008	120.000	0.000	0.016	120.018	120.010	0.025	0.010
2.65	2.63	4.28	4.26	2.16540	2.16520	0.00020	0.00030	4.72470	4.72440	0.00000	0.00060	4.72510	4.72480	0.00100	0.00040
43.2	72.6	117.9	117.3	60.000	59.995	0.005	0.007	130.009	130.000	0.000	0.018	130.020	130.010	0.029	0.010
2.88	2.86	4.64	4.62	2.36220	2.36200	0.00020	0.00030	5.11850	5.11810	0.00000	0.00070	5.11890	5.11850	0.00110	0.00040
80.3	79.8	126.8	126.2	65.000	64.995	0.005	0.007	140.009	140.000	0.000	0.018	140.020	140.010	0.029	0.010
3.16	3.14	4.99	4.97	2.55910	2.55890	0.00020	0.00030	5.51220	5.51180	0.00000	0.00070	5.51260	5.51220	0.00110	0.00040
85.3	84.8	135.6	135.1	70.000	69.995	0.005	0.007	150.009	150.000	0.000	0.018	150.023	150.012	0.032	0.012
3.36	3.34	5.34	5.32	2.75590	2.75570	0.00020	0.00030	5.90590	5.90550	0.00000	0.00070	5.90640	5.90600	0.00120	0.00050



BALL SCREW SUPPORT SERIES

METRIC SERIES

- Designed for maximum axial rigidity, low drag torque and extreme control of lateral eccentricity.
- Manufactured to ABEC 9/ISO P2 axial tolerances.
- Non-separable angular-contact type design (60 degree contact angle).
- Manufactured to ABEC 7/ISO P4 radial and envelope tolerances.
- Maximum complement of balls.
- Supplied prelubricated with heavy-duty grease NLGI #2.
- Packaged in DB arrangement [can be mounted in duplexed pairs and in multiplexed sets in either Back-to-Back (DB), Face-to-Face (DF) or Tandem (DT) arrangements].



Bearing Number	d Bore	D O.D.	C Width ⁽¹⁾	Ball Qty. x Dia.	Wt. ⁽²⁾	r Rad. ⁽³⁾	Suggested Shoulder Diameters				Shaft Dia.		Housing Dia.	
							Shaft		Housing		Max.	Min.	Max.	Min.
							Max.	Min.	Max.	Min.	Max.	Min.	Max.	Min.
mm/in.														
MM12BS32	12 0.4724	32 1.2598	10 0.3937	11 x 4.8 11 x 3/16	0.040 0.09	0.8 0.031	17.630 0.6941	17.370 0.6839	26.630 1.0484	26.370 1.0382	11.996 0.4723	11.992 0.4721	32.006 1.2601	32.000 1.2598
MM15BS35	15 0.5906	35 1.3780	11 0.4331	13 x 4.8 13 x 3/16	0.050 0.11	0.8 0.031	20.630 0.8122	20.370 0.8020	29.630 1.1665	29.370 1.1563	14.996 0.5904	14.992 0.5902	35.006 1.3782	35.000 1.3780
MM17BS47	17 0.6693	47 1.8504	15 0.5906	12 x 7.9 12 x 5/32	0.130 0.29	0.8 0.031	23.130 0.9106	22.870 0.9004	41.630 1.6390	41.370 1.6287	16.996 0.6691	16.992 0.6690	47.006 1.8506	47.000 1.8504
MM20BS47	20 0.7874	47 1.8504	15 0.5906	12 x 7.9 12 x 5/32	0.120 0.26	0.8 0.031	26.130 1.0287	25.870 1.0185	41.630 1.6390	41.370 1.6287	19.995 0.7872	19.990 0.7870	47.006 1.8506	47.000 1.8504
MM25BS52	25 0.9843	52 2.0472	15 0.5906	13 x 7.9 13 x 5/32	0.140 0.37	0.8 0.031	31.630 1.2453	31.370 1.2350	43.630 1.7177	43.370 1.7075	24.995 0.9841	24.990 0.9839	52.007 2.0475	52.000 2.0472
MM25BS62	25 0.9843	62 2.4409	15 0.5906	17 x 7.9 17 x 5/32	0.230 0.51	0.8 0.031	35.130 1.3831	34.870 1.3728	56.130 2.2098	55.870 2.1996	24.995 0.9841	24.990 0.9839	62.007 2.4412	62.000 2.4409
MM30BS62	30 1.1811	62 2.4409	15 0.5906	17 x 7.9 17 x 5/32	0.210 0.46	0.8 0.031	40.130 1.5799	39.870 1.5697	56.130 2.2098	55.870 2.1996	29.995 1.1809	29.990 1.1807	62.007 2.4412	62.000 2.4409
MM30BS72	30 1.1811	72 2.8346	15 0.5906	18 x 8.7 18 x 11/32	0.320 0.71	0.8 0.031	40.130 1.5799	39.870 1.5697	56.130 2.2098	55.870 2.1996	29.995 1.1809	29.990 1.1807	72.007 2.8349	72.000 2.8346
MM35BS72	35 1.3780	72 2.8346	15 0.5906	18 x 8.7 18 x 11/32	0.290 0.64	0.8 0.031	42.130 1.6587	41.870 1.6484	64.130 2.5248	63.870 2.5146	34.994 1.3777	34.988 1.3775	72.007 2.8349	72.000 2.8346
MM35BS100	35 1.3780	100 3.9370	20 0.7874	18 x 12.7 18 x 1/2	0.860 1.90	0.8 0.031	42.130 1.6587	41.870 1.6484	90.130 3.5484	89.870 3.5382	34.994 1.3777	34.998 1.3775	100.007 3.9373	100.000 3.9370
MM40BS72	40 1.5748	72 2.8346	15 0.5906	18 x 8.7 18 x 11/32	0.250 0.55	0.8 0.031	47.130 1.8555	46.870 1.8453	64.130 2.5248	63.870 2.5146	39.994 1.5746	39.998 1.5743	72.007 2.8349	72.000 2.8346
MM40BS90	40 1.5748	90 3.5433	15 0.5906	24 x 8.7 24 x 11/32	0.490 1.08	0.8 0.031	47.130 1.8555	46.870 1.8453	82.130 3.2335	81.870 3.2232	39.994 1.5746	39.988 1.5743	90.008 3.5436	90.000 3.5433
MM40BS90-20	40 1.5748	90 3.5433	20 0.7874	24 x 8.7 24 x 11/32	0.660 1.46	0.8 0.031	47.130 1.8555	46.870 1.8453	82.130 3.2335	81.870 3.2232	39.994 1.5746	39.998 1.5743	90.008 3.5436	90.000 3.5433
MM40BS90-23	40 1.5748	90 3.5433	23 0.9055	24 x 8.7 24 x 11/32	0.750 1.65	0.8 0.031	47.130 1.8555	46.870 1.8453	82.130 3.2335	81.870 3.2232	39.994 1.5746	39.988 1.5743	90.008 3.5436	90.000 3.5433

⁽¹⁾ Width tolerance of preloaded bearing set +0.000/-0.254 mm (+0.0000/-0.0100 in.).

⁽²⁾ Single bearing.

⁽³⁾ ABMA STD 20 (r_{as} max).

Continued on next page.

Bearing Number	d Bore	D O.D.	C Width ⁽¹⁾	Ball Qty. x Dia.	Wt. ⁽²⁾	r Rad. ⁽³⁾	Suggested Shoulder Diameters				Shaft Dia.		Housing Dia.	
							Shaft		Housing		Max.	Min.	Max.	Min.
							Max.	Min.	Max.	Min.				
mm/in.		mm/in.		kg/lbs		mm/in.		mm/in.		mm/in.		mm/in.		
MM40BS100	40	100	22.5	18 x 12.7	0.820	0.8	47.130	46.870	90.130	89.870	39.994	39.988	100.007	100.000
	1.5748	3.9370	0.8858	18 x 1/2	1.81	0.031	1.8555	1.8453	3.5484	3.5382	1.5746	1.5743	3.9373	3.9370
MM45BS75	45	75	15	20 x 8.7	0.250	0.8	52.130	51.870	69.130	68.870	44.994	44.988	75.007	75.000
	1.7717	2.9528	0.5906	20 x 11/32	0.55	0.031	2.0524	2.0421	2.7217	2.7114	1.7714	1.7712	2.9530	2.9528
MM45BS100	45	100	22.5	18 x 12.7	0.760	0.8	54.130	53.870	90.130	89.870	44.994	44.988	100.008	100.000
	1.7717	3.9370	0.8858	18 x 1/2	1.68	0.031	2.1311	2.1209	3.5484	3.5382	1.7714	1.7712	3.9373	3.9370
MM50BS90	50	90	15	24 x 8.7	0.410	0.8	59.130	58.870	82.130	81.870	49.994	49.988	90.008	90.000
	1.9685	3.5433	0.5906	24 x 11/32	0.90	0.031	2.3280	2.3177	3.2335	3.2232	1.9683	1.9680	3.5436	3.5433
MM50BS100	50	100	22.5	18 x 12.7	0.710	0.8	59.130	58.870	90.130	89.870	49.994	49.988	100.008	100.000
	1.9685	3.9370	0.8858	18 x 1/2	1.57	0.031	2.3280	2.3177	3.5484	3.5382	1.9683	1.9680	3.9373	3.9370
MM55BS90	55	90	15	24 x 8.7	0.360	0.8	63.130	62.870	82.130	81.870	54.993	54.986	90.008	90.000
	2.1654	3.5433	0.5906	24 x 11/32	0.79	0.031	2.4854	2.4752	3.2335	3.2232	2.1651	2.1648	3.5436	3.5433
MM55BS120	55	120	22.5	21 x 12.7	1.140	1.0	65.130	64.870	110.130	109.870	54.993	54.986	120.008	120.000
	2.1654	4.7244	0.8858	21 x 1/2	2.51	0.039	2.5642	2.5539	4.3358	4.3256	2.1651	2.1648	4.7247	4.7244
MM60BS120	60	120	22.5	21 x 12.7	1.060	1.0	70.130	69.870	110.130	109.870	59.993	59.986	120.008	120.000
	2.3622	4.7244	0.8858	21 x 1/2	2.34	0.039	2.7610	2.7508	4.3358	4.3256	2.3619	2.3617	4.7247	4.7244
MM75BS110	75	110	15	30 x 8.7	0.460	0.8	84.130	83.870	102.130	101.870	74.993	74.986	110.008	110.000
	2.9528	4.3307	0.5906	30 x 11/32	1.01	0.031	3.3122	3.3020	4.0209	4.0106	2.9525	2.9522	4.3310	4.3307
MM100BS150	100	150	22.5	26 x 12.7	1.280	1.0	110.130	109.870	138.130	137.870	99.992	99.984	150.009	150.000
	3.9370	5.9055	0.8858	26 x 1/2	2.82	0.039	4.3358	4.3256	5.4382	5.4280	3.9367	3.9364	5.9059	5.9055

⁽¹⁾ Width tolerance of preloaded bearing set +0.000/-0.254 mm (+0.0000/-0.0100 in.).

⁽²⁾ Single bearing.

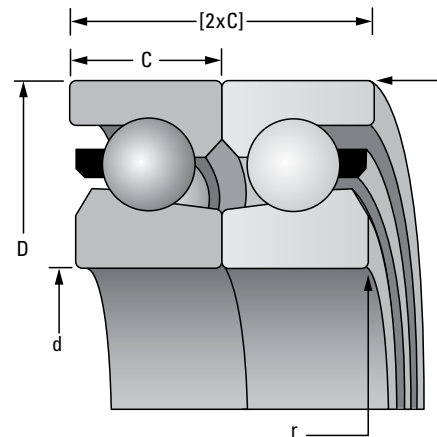
⁽³⁾ ABMA STD 20 (r_{as} max).



BALL SCREW SUPPORT SERIES

INCH SERIES

- Designed for maximum axial rigidity, low drag torque, and extreme control of lateral eccentricity.
- Manufactured to ABEC 9/ISO P2 axial tolerances.
- Nonseparable angular-contact type design (60° contact angle).
- Manufactured to ABEC 7/ISO P4 radial and envelope tolerances.
- Maximum complement of balls.
- Supplied prelubricated with heavy-duty grease NLGI #2.
- Packaged in DB arrangement [can be mounted in duplexed pairs and in multiplexed sets in either Back-to-Back (DB), Face-to-Face (DF) or Tandem (DT) arrangements].



Bearing Number	d Bore	D O.D.	C Width ⁽¹⁾	Ball Qty. x Dia.	Wt. ⁽²⁾	r Rad. ⁽³⁾	Suggested Shoulder Diameters				Shaft Dia.		Housing Dia.	
							Shaft		Housing		Max.	Min.	Max.	Min.
	mm/in.			mm/in.	kg/lbs	mm/in.	mm/in.		mm/in.		mm/in.			
MM9306WI2H	20	47	15.88	12 x 7.9	0.130	0.8	27.508	27.254	41.681	41.427	19.995	19.990	47.008	47.000
	0.7874	1.8504	0.6250	12 x 5/16	0.28	0.031	1.0830	1.0730	1.6410	1.6310	0.7872	0.7870	1.8507	1.8504
MM9308WI2H	23.8	62	15.88	17 x 7.9	0.250	0.8	33.553	33.299	55.347	55.093	23.833	23.828	62.006	61.999
	0.9385	2.4409	0.6250	17 x 5/16	0.56	0.031	1.3210	1.3110	2.1790	2.1690	0.9383	0.9381	2.4412	2.4409
MM9310WI2H	38.1	72	15.88	18 x 8.7	0.280	0.8	47.371	47.117	62.967	62.713	38.092	38.085	72.006	71.999
	1.5000	2.8346	0.6250	18 x 11/32	0.62	0.031	1.8650	1.8550	2.4790	2.4690	1.4997	1.4994	2.8349	2.8346
MM9311WI3H	44.5	76.2	15.88	20 x 8.7	0.290	0.8	52.248	51.994	67.869	67.615	44.468	44.460	76.208	76.200
	1.7510	3.0000	0.6250	20 x 11/32	0.63	0.031	2.0570	2.0470	2.6720	2.6620	1.7507	1.7504	3.0003	3.0000
MM9313WI5H	57.2	90	15.88	24 x 8.7	0.360	0.8	65.456	65.202	81.178	80.924	57.142	57.135	90.007	90.000
	2.2500	3.5433	0.6250	24 x 11/32	0.80	0.031	2.5770	2.5670	3.1960	3.1860	2.2497	2.2494	3.5436	3.5433
MM9316WI3H	76.2	110	15.88	30 x 8.7	0.470	0.8	85.852	85.598	101.600	101.346	76.192	76.185	110.007	110.000
	3.0000	4.3307	0.6250	30 x 11/32	1.04	0.031	3.3800	3.3700	4.0000	3.9900	2.9997	2.9994	4.3310	4.3307
MM9321WI3H	101.6	145	22.23	37 x 9.5	1.180	1.0	112.217	111.963	134.645	134.391	101.592	101.585	145.011	145.001
	4.0000	5.7087	0.8750	37 x 3/8	2.60	0.039	4.4180	4.4080	5.3010	5.2910	3.9997	3.9994	5.7091	5.7087
MM9326WI6H	127	180	22.23	35 x 12.7	1.750	1.0	143.993	143.739	167.919	167.665	126.992	126.985	180.010	180.000
	5.0000	7.0866	0.8750	35 x 1/2	3.85	0.039	5.6690	5.6590	6.6110	6.6010	4.9997	4.9994	7.0870	7.0866

⁽¹⁾ Width tolerance of preloaded bearing set +0.000/-0.254 mm (+0.0000/-0.0100 in.).

⁽²⁾ Single bearing.

⁽³⁾ ABMA STD 20 (r_{as} max.).

**BALL SCREW
SUPPORT SERIES**

**PERFORMANCE DATA
METRIC SERIES
DUH**

Bearing Number	T _L Static Limiting Thrust Capacity ⁽³⁾	C _{ae} Dynamic Axial Load Rating ⁽¹⁾⁽³⁾	Speed Rating	Axial Spring Constant ⁽³⁾	Drag Torque (Preloaded Set)	Preload ⁽²⁾⁽³⁾ (Heavy)
	N lbs.	N lbs.	RPM	N/μm 10⁶ lbs./in	N-m lbs.-in.	N lbs.
MM12BS32DUH	11400 2600	9500 2140	7300 7300	425 2.4	0.28 2.48	1000 200
MM15BS35DUH	13700 3100	10400 2340	6400 6400	490 2.8	0.30 2.65	1200 300
MM17BS47DUH	24900 5600	24900 5600	4700 4700	750 4.3	0.32 2.83	3110 700
MM20BS47DUH	24900 5600	24900 5600	4700 4700	750 4.3	0.32 2.83	3110 700
MM25BS52DUH	27100 6100	26000 5850	4300 4300	780 4.5	0.39 3.45	2700 600
MM25BS62DUH	35600 8000	29800 6700	3300 3300	1050 6.0	0.44 3.88	4450 1000
MM30BS62DUH	35600 8000	29800 6700	3300 3300	1050 6.0	0.44 3.88	4450 1000
MM30BS72DUH	45400 10200	36300 8160	2900 2900	1260 7.2	0.44 3.88	6230 1400
MM35BS72DUH	45400 10200	36300 8160	2900 2900	1260 7.2	0.44 3.88	6230 1400
MM40BS72DUH	45400 10200	36300 8160	2900 2900	1260 7.2	0.44 3.88	6230 1400
MM45BS75DUH	50700 11400	38500 8660	2700 2700	1380 7.9	0.56 4.96	6670 1500
MM40BS90DUH	60900 13700	41400 9310	2200 2200	1660 9.5	0.82 7.26	8010 1800
MM40BS90-20DUH	60900 13700	41400 9310	2200 2200	1660 9.5	0.82 7.26	8010 1800
MM40BS90-23DUH	60900 13700	41400 9310	2200 2200	1660 9.5	0.82 7.26	8010 1800
MM50BS90DUH	60900 13700	41400 9310	2200 2200	1660 9.5	0.82 7.26	8010 1800
MM55BS90DUH	60900 13700	41400 9310	2200 2200	1660 9.5	0.82 7.26	8010 1800
MM35BS100DUH	93400 21000	71200 16010	2000 2000	1750 10.0	1.02 9.03	12900 2900
MM40BS100DUH	93400 21000	71200 16010	2000 2000	1750 10.0	1.02 9.03	12900 2900
MM45BS100DUH	93400 21000	71200 16010	2000 2000	1750 10.0	1.02 9.03	12900 2900
MM50BS100DUH	93400 21000	71200 16010	2000 2000	1750 10.0	1.02 9.03	12900 2900
MM75BS110DUH	77000 17300	44500 10000	1700 1700	2080 11.9	1.00 8.85	9790 2200
MM55BS120DUH	133400 30000	75600 17000	1700 1700	2150 12.3	1.36 12.04	15570 3500
MM60BS120DUH	133400 30000	75600 17000	1700 1700	2150 12.3	1.36 12.04	15570 3500
MM100BS150DUH	200500 45100	80900 18200	1300 1300	3400 19.4	2.18 19.29	21350 4800

⁽¹⁾ Based on 1500 hours L₁₀ life and permissible speed.

⁽²⁾ Heavy preload is standard.

⁽³⁾ Data presented is for a single bearing in a DUH set.



**BALL SCREW
SUPPORT SERIES**

**PERFORMANCE DATA
METRIC SERIES
QUH**

Bearing Number	T _L Static Limiting Thrust Capacity ⁽³⁾	C _{ae} Dynamic Axial Load Rating ⁽¹⁾⁽³⁾	Speed Rating	Axial Spring Constant ⁽³⁾	Drag Torque (Preloaded Set)	Preload ⁽²⁾⁽³⁾ (Heavy)
	N lbs.	N lbs.	RPM	N/μm 10⁶ lbs./in	N-m lbs.-in.	N lbs.
MM12BS32QUH	22800 5100	15400 3500	5100 5100	850 4.9	0.56 4.96	2000 400
MM15BS35QUH	27400 6200	16850 3800	4500 4500	980 5.6	0.60 5.31	2400 500
MM17BS47QUH	49800 11200	40500 9100	3700 3700	1510 8.6	0.64 5.65	6230 1400
MM20BS47QUH	49800 11200	40500 9100	3700 3700	1510 8.6	0.64 5.65	6230 1400
MM25BS52QUH	54300 12200	42300 9500	3700 3700	1560 8.9	0.49 6.90	5400 1200
MM25BS62QUH	71200 16000	48500 10900	2700 2700	2100 12.0	0.88 7.78	8900 2000
MM30BS62QUH	71200 16000	48500 10900	2700 2700	2100 12.0	0.88 7.78	8900 2000
MM30BS72QUH	90700 20400	58700 13200	2100 2100	2520 14.4	0.88 7.78	12450 2800
MM35BS72QUH	90700 20400	58700 13200	2100 2100	2520 14.4	0.88 7.78	12450 2800
MM40BS72QUH	90700 20400	58700 13200	2100 2100	2520 14.4	0.88 7.78	12450 2800
MM45BS75QUH	101400 22800	62700 14100	1800 1800	2770 15.8	1.12 9.92	13340 3000
MM40BS90QUH	121900 27400	67200 15100	1700 1700	3330 19.0	1.64 14.51	16010 3600
MM50BS90QUH	121900 27400	67200 15100	1700 1700	3330 19.0	1.64 14.51	16010 3600
MM55BS90QUH	121900 27400	67200 15100	1700 1700	3330 19.0	1.64 14.51	16010 3600
MM35BS100QUH	186800 42000	115600 26000	1400 1400	3500 20.0	2.04 18.05	25800 5800
MM40BS100QUH	186800 42000	115600 26000	1400 1400	3500 20.0	2.04 18.05	25800 5800
MM45BS100QUH	186800 42000	115600 26000	1400 1400	3500 20.0	2.04 18.05	25800 5800
MM50BS100QUH	186800 42000	115600 26000	1400 1400	3500 20.0	2.04 18.05	25800 5800
MM75BS110QUH	153900 34600	72100 16200	1200 1200	4170 23.8	2.00 17.70	19570 4400
MM55BS120QUH	266900 60000	122800 27600	1200 1200	4310 24.6	2.72 24.08	31140 7000
MM60BS120QUH	266900 60000	122800 27600	1200 1200	4310 24.6	2.72 24.08	31140 7000
MM100BS150QUH	401000 90100	131500 29500	900 900	6790 38.8	4.36 38.59	42700 9600

⁽¹⁾ Based on 1500 hours L₁₀ life and permissible speed.

⁽²⁾ Heavy preload is standard.

⁽³⁾ Data presented is for two bearings in a QUH set mounted DB or DF.

**BALL SCREW
SUPPORT SERIES**

**PERFORMANCE DATA
INCH SERIES
DUH/QUH**

Bearing Number	T _L Static Limiting Thrust Capacity ⁽³⁾	C _{ae} Dynamic Axial Load Rating ⁽¹⁾⁽³⁾	Speed Rating	Axial Spring Constant ⁽³⁾	Drag Torque (Preloaded Set)	Preload ⁽²⁾⁽³⁾ (Heavy)
	N lbs.	N lbs.	RPM	N/μm 10 lbs./in	N-m lbs.-in.	N lbs.
MM9306WI2HDUH	24900	24900	4400	750	0.32	3110
	5600	5600	4400	4.3	2.83	700
MM9308WI2HDUH	35600	29800	3200	1050	0.44	4450
	8000	6700	3200	6.0	3.89	1000
MM9310WI2HDUH	45400	36300	2500	1260	0.44	6230
	10200	8150	2500	7.2	3.89	1400
MM9311WI3HDUH	50700	38500	2100	1380	0.56	6670
	11400	8650	2100	7.9	4.96	1500
MM9313WI5HDUH	60900	41400	2000	1660	0.82	8010
	13700	9300	2000	9.5	7.26	1800
MM9316WI3HDUH	77000	44500	1400	2080	1.00	9790
	17300	10000	1400	11.9	8.85	2200
MM9321WI3DUH	115700	57400	1000	3400	1.02	21350
	26000	12900	1000	19.4	9.01	4800
MM9326WI6HDUH	186800	94300	750	3630	1.26	26690
	42000	21200	750	20.7	11.10	6000
MM9306WI2HQUH	49800	40500	3700	1510	0.64	6230
	11200	9100	3700	8.6	5.66	1400
MM9308WI2HQUH	71200	48500	2700	2100	0.88	8900
	16000	10900	2700	12.0	7.78	2000
MM9310WI2HQUH	90700	58700	2100	2520	0.88	12450
	20400	13200	2100	14.4	7.78	2800
MM9311WI3HQUH	101400	62700	1800	2770	1.12	13340
	22800	14100	1800	15.8	9.92	3000
MM9313WI5HQUH	121900	67200	1700	3330	1.64	16010
	27400	15100	1700	19.0	14.52	3600
MM9316WI3HQUH	153900	72100	1200	4170	2.00	19570
	34600	16200	1200	23.8	17.70	4400
MM9321WI3QUH	231300	93400	900	6800	2.04	42700
	52000	21000	900	38.8	18.02	9600
MM9326WI6HQUH	373600	153000	600	7250	2.51	53380
	84000	34400	600	41.4	22.22	12000

⁽¹⁾ Based on 1500 hours L₁₀ life and permissible speed.

⁽²⁾ Heavy preload is standard.

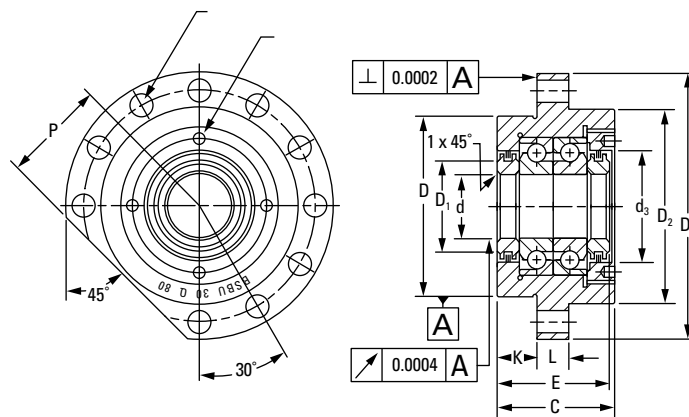
⁽³⁾ Data presented is for a single bearing in a DUH set and for two bearings in a QUH set mounted DB or DF.



**BALL SCREW SUPPORT BEARING
CARTRIDGE UNITS**

BSBU D – STANDARD AND HEAVY-DUTY BEARINGS

- Designed and developed to give the machine manufacturer a ready-made unit providing excellent stiffness and accuracy in ball screw applications.
- Units combine the features of MM-BS-DU (Duplex) ball screw support bearings with an accurately manufactured housing and laminar ring seals.
- Each unit is prepacked with a measured quantity of high quality bearing grease and requires no further lubrication.
- Units are supplied with the bearings in pairs mounted in the “DB” (“O”) arrangement.
- Other bearing arrangements can be accommodated if required. Please consult your Timken representative with details of your requirements or for suggested shaft and housing fits.
- For load and speed ratings, refer to bearing data on page 203.



STANDARD SERIES – DIMENSIONAL TOLERANCES ±0.13 mm (± 0.005 in.) UNLESS OTHERWISE STATED.

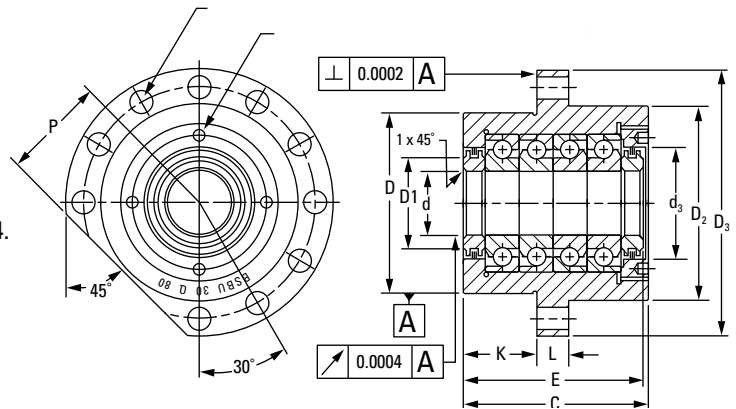
Shaft Dia.	Unit Number (Bearing Set)	C	d	d ₁	d ₂	d ₃	D	D ₁	D ₂	D ₃	E	F	K	L	N	P	Wt.
mm		mm in.	mm in.	mm in.	mm in.	mm in.	mm in.	mm in.	mm in.	mm in.	mm in.	mm in.	mm in.	mm in.	mm in.	mm in.	kg lbs.
17	BSBU17D60	47.0	17.000 16.996	4.3	6.6	36.0	60.000 59.987	26.0	64.0	90.0	44.26 43.24	42.5	32.0	13.0	76.0	32	1.1
	(MM17BS47DUH)	1.85	0.6693 0.6691	0.17	0.26	1.42	2.3622 2.3617	1.02	2.52	3.54	1.742 1.702	1.67	1.26	0.51	2.99	1.26	2.42
20	BSBU20D60	47.0	20.000 19.996	4.3	6.6	36.0	60.000 59.987	26.0	64.0	90.0	44.26 43.24	42.5	32.0	13.0	76.0	32	1.1
	(MM20BS47DUH)	1.85	0.7874 0.7872	0.17	0.26	1.42	2.3622 2.3617	1.02	2.52	3.54	1.742 1.702	1.67	1.26	0.51	2.99	1.26	2.42
25	BSBU25D80	52.0	25.000 24.996	4.3	9.2	50.0	80.000 79.987	40.0	88.0	120.0	50.26 49.24	59.5	32.0	15.0	102.0	44	2.3
	(MM25BS62DUH)	2.05	0.9842 0.9841	0.17	0.36	1.97	3.1496 3.1491	1.57	3.46	4.72	1.979 1.938	2.34	1.26	0.59	4.02	1.73	5.06
30	BSBU30D80	52.0	30.000 29.996	4.3	9.2	50.0	80.000 79.987	40.0	88.0	120.0	50.26 49.24	59.5	32.0	15.0	102.0	44	2.2
	(MM30BS62DUH)	2.05	1.1811 1.1809	0.17	0.36	1.97	3.1496 3.1491	1.57	3.46	4.72	1.979 1.938	2.34	1.26	0.59	4.02	1.73	4.84
35	BSBU35D90	52.0	35.000 34.995	4.3	9.2	60.0	90.000 89.985	46.0	98.0	130.0	50.26 49.24	66.5	32.0	15.0	113.0	49	3.2
	(MM35BS72DUH)	2.05	1.378 1.3778	0.17	0.36	2.36	3.5433 3.5427	1.81	3.86	5.12	1.979 1.938	2.62	1.26	0.59	4.45	1.93	7.04
40	BSBU40D90	52.0	40.000 39.995	4.3	9.2	60.0	90.000 89.985	46.0	98.0	130.0	50.26 49.24	66.5	32.0	15.0	113.0	49	3.1
	(MM40BS72DUH)	2.05	1.5748 1.5746	0.17	0.36	2.36	3.5433 3.5427	1.81	3.86	5.12	1.979 1.938	2.62	1.26	0.59	4.45	1.93	6.82

HEAVY-DUTY SERIES																	
35	BSBU35D124	66.0	35.000 34.995	5.3	11.4	76.0	124.000 123.982	66.0	128.0	165.0	64.26 63.24	90.0	43.5	17.0	146.0	64	6.3
	(MM35BS100DUH)	2.60	1.3780 1.3778	0.21	0.45	2.99	4.8819 4.8812	2.60	5.04	6.50	2.530 2.490	3.54	1.71	0.67	5.75	2.52	13.86
40	BSBU40D124	66.0	40.000 39.995	5.3	11.4	76.0	124.000 123.982	66.0	128.0	165.0	64.26 63.24	90.0	43.5	17.0	146.0	64	6.1
	(MM40BS100DUH)	2.60	1.5748 1.5746	0.21	0.45	2.99	4.8819 4.8812	2.60	5.04	6.50	2.530 2.490	3.54	1.71	0.67	5.75	2.52	13.42
45	BSBU45D124	66.0	45.000 44.995	5.3	11.4	76.0	124.000 123.982	66.0	128.0	165.0	64.26 63.24	90.0	43.5	17.0	146.0	64	6.0
	(MM45BS100DUH)	2.60	1.7716 1.7714	0.21	0.45	2.99	4.8819 4.8812	2.60	5.04	6.50	2.530 2.490	3.54	1.71	0.67	5.75	2.52	13.20
50	BSBU50D124	66.0	50.000 49.995	5.3	11.4	76.0	124.000 123.982	66.0	128.0	165.0	64.26 63.24	90.0	43.5	17.0	146.0	64	5.9
	(MM50BS100DUH)	2.60	1.9685 1.9683	0.21	0.45	2.99	4.8819 4.8812	2.60	5.04	6.50	2.530 2.490	3.54	1.71	0.67	5.75	2.52	12.89

BALL SCREW SUPPORT BEARING CARTRIDGE UNITS

BSBU Q – STANDARD AND HEAVY-DUTY BEARINGS

- Similar in design and features to the series BSBU D except MM-BS-QU Quadruplex bearings are used.
- Units are supplied with the bearings in quad sets mounted in the "DB" ("O") arrangement.
- Consult your Timken representative for suggested shaft fits.
- For load and speed ratings, refer to bearing data on page 204.



STANDARD SERIES – DIMENSIONAL TOLERANCES ±0.13 mm (± 0.005 in.) UNLESS OTHERWISE STATED.

Shaft Dia.	Unit Number (Bearing Set)	C	d	d ₁	d ₂	d ₃	D	D ₁	D ₂	D ₃	E	F	K	L	N	P	Wt.
mm		mm in.	mm in.	mm in.	mm in.	mm in.	mm in.	mm in.	mm in.	mm in.	mm in.	mm in.	mm in.	mm in.	mm in.	mm in.	kg lbs.
17	BSBU17Q60	77.0	17.000 16.996	4.3	6.6	36.0	60.000 59.987	26.0	64.0	90.0	74.26 72.74	42.5	32.0	13.0	76.0	32.0	1.7
	(MM17BS47QUH)	3.03	0.6693 0.6690	0.17	0.26	1.42	2.3622 2.3617	1.02	2.52	3.54	2.924 2.864	1.67	1.26	0.51	2.99	1.26	3.74
20	BSBU20Q60	77.0	20.000 19.996	4.3	6.6	36.0	60.000 59.987	26.0	64.0	90.0	74.26 72.74	42.5	32.0	13.0	76.0	32.0	1.7
	(MM20BS47QUH)	3.03	0.7874 0.7872	0.17	0.26	1.42	2.3622 2.3617	1.02	2.52	3.54	2.924 2.864	1.67	1.26	0.51	2.99	1.26	3.74
25	BSBU25Q80	82.0	25.000 24.996	4.3	9.2	50.0	80.000 79.987	40.0	88.0	120.0	80.26 78.74	59.5	32.0	15.0	102.0	44.0	3.5
	(MM25BS62QUH)	3.23	0.9842 0.9841	0.17	0.36	1.97	3.1496 3.1491	1.57	3.46	4.72	3.160 3.100	2.34	1.26	0.59	4.02	1.73	7.70
30	BSBU30Q80	82.0	30.000 29.996	4.3	9.2	50.0	80.000 79.987	40.0	88.0	120.0	80.26 78.74	59.5	32.0	15.0	102.0	44.0	3.4
	(MM30BS62QUH)	3.23	1.1811 1.1809	0.17	0.36	1.97	3.1496 3.1491	1.57	3.46	4.72	3.160 3.100	2.34	1.26	0.59	4.02	1.73	7.48
35	BSBU35Q90	82.0	35.000 34.995	4.3	9.2	60.0	90.000 89.985	46.0	98.0	130.0	80.26 78.74	66.5	32.0	15.0	113.0	49.0	4.6
	(MM35BS72QUH)	3.23	1.3780 1.3778	0.17	0.36	2.36	3.5433 3.5427	1.81	3.86	5.12	3.160 3.100	2.62	1.26	0.59	4.45	1.93	10.12
40	BSBU40Q90	82.0	40.000 39.995	4.3	9.2	60.0	90.000 89.985	46.0	98.0	130.0	80.26 78.74	66.5	32.0	15.0	113.0	49.0	4.5
	(MM40BS72QUH)	3.23	1.5748 1.5746	0.17	0.36	2.36	3.5433 3.5427	1.81	3.86	5.12	3.160 3.100	2.62	1.26	0.59	4.45	1.93	9.90

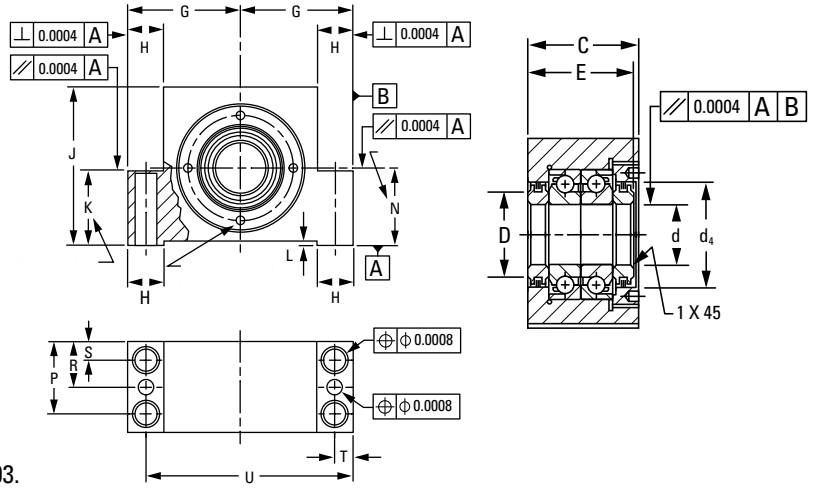
HEAVY-DUTY SERIES

35	BSBU35Q124	106.0	35.000 34.995	5.3	11.4	76.0	124.000 123.982	66.0	128.0	165.0	104.26 102.74	90.0	43.5	17.0	146.0	64.0	10.1
	(MM35BS100QUH)	4.17	1.3780 1.3778	0.21	0.45	2.99	4.8819 4.8812	2.60	5.04	6.50	4.105 4.045	3.54	1.71	0.67	5.75	2.52	22.22
40	BSBU40Q124	106.0	40.000 39.995	5.3	11.4	76.0	124.000 123.982	66.0	128.0	165.0	104.26 102.74	90.0	43.5	17.0	146.0	64.0	9.7
	(MM40BS100QUH)	4.17	1.5748 1.5746	0.21	0.45	2.99	4.8819 4.8812	2.60	5.04	6.50	4.105 4.045	3.54	1.71	0.67	5.75	2.52	21.34
45	BSBU45Q124	106.0	45.000 44.995	5.3	11.4	76.0	124.000 123.982	66.0	128.0	165.0	104.26 102.74	90.0	43.5	17.0	146.0	64.0	9.5
	(MM45BS100QUH)	4.17	1.7716 1.7714	0.21	0.45	2.99	4.8819 4.8812	2.60	5.04	6.50	4.105 4.045	3.54	1.71	0.67	5.75	2.52	20.90
50	BSBU50Q124	106.0	50.000 49.995	5.3	11.4	76.0	124.000 123.982	66.0	128.0	165.0	104.26 102.74	90.0	43.5	17.0	146.0	64.0	9.3
	(MM50BS100QUH)	4.17	1.9685 1.9683	0.21	0.45	2.99	4.8819 4.8812	2.60	5.04	6.50	4.105 4.045	3.54	1.71	0.67	5.75	2.52	20.46

**BALL SCREW SUPPORT BEARING
PILLOW BLOCK UNITS**

BSPB D – STANDARD AND HEAVY-DUTY BEARINGS

- Designed for ball screw applications.
- Incorporates similar features to the series BSBU D but is designed to bolt down onto a flat surface, parallel to the ball screw axis.
- In the standard unit, pilot holes for dowels are provided.
- Units are supplied with the bearings in duplex sets mounted in the "DB" ("O") arrangement.
- Units with finished holes for dowels can be supplied by special order if required.
- Consult your Timken representative for suggested shaft fits.
- For load and speed ratings, refer to bearing data on page 203.



STANDARD SERIES – DIMENSIONAL TOLERANCES ±0.13 mm (± 0.005 in.) UNLESS OTHERWISE STATED.

Shaft Dia.	Unit Number (Bearing Set)	C	d	d ₁	d ₂	d ₃	d ₄	D	E	F	G	H	J	K	L	N	P	R	S	T	U	Wt.
mm		mm in.	mm in.	mm in.	mm in.	mm in.	mm in.	mm in.	mm in.	mm in.	mm in.	mm in.	mm in.	mm in.	mm in.	mm in.	mm in.	mm in.	mm in.	mm in.	mm in.	kg lbs.
17	BSPB17D32	47.000 46.950	17.000 16.996	4.3	7.8	9.0	36.0	26.0	44.26 43.24	42.5	47.000 46.987	17	62	32.0	1.0	32.000 31.987	38.0	22.0	9.0	8.5	85.5	1.5
	(MM17BS47DUH)	1.850 1.848	0.6693 0.6691	0.17	0.31	0.35	1.42	1.02	1.742 1.702	1.67	1.8504 1.8499	0.67	2.44	1.26	0.04	1.2598 1.2593	1.50	0.87	0.35	0.33	3.37	3.30
20	BSPB20D32	47.000 46.950	20.000 19.996	4.3	7.8	9.0	36.0	26.0	44.26 43.24	42.5	47.000 46.987	17	62	32.0	1.0	32.000 31.987	38.0	22.0	9.0	8.5	85.5	1.5
	(MM20BS47DUH)	1.850 1.848	0.7874 0.7872	0.17	0.31	0.35	1.42	1.02	1.742 1.702	1.67	1.8504 1.8499	0.67	2.44	1.26	0.04	1.2598 1.2593	1.50	0.87	0.35	0.33	3.37	3.30
25	BSPB25D42	52.000 51.950	25.000 24.996	4.3	9.8	11.0	50.0	40.0	50.26 49.24	59.5	62.500 62.487	20	85	42.0	1.0	42.000 41.987	42.0	25.0	10.0	10.0	115.0	2.8
	(MM25BS62DUH)	2.047 2.045	0.9842 0.9841	0.17	0.39	0.43	1.97	1.57	1.979 1.938	2.34	2.4606 2.4601	0.79	3.35	1.65	0.04	1.6535 1.6530	1.65	0.98	0.39	0.39	4.53	6.16
30	BSPB30D42	52.000 51.920	30.000 29.996	4.3	9.8	11.0	50.0	40.0	50.26 49.24	59.5	62.500 62.487	20	85	42.0	1.0	42.000 41.987	42.0	25.0	10.0	10.0	115.0	2.7
	(MM30BS62DUH)	2.047 2.045	1.1811 1.1809	0.17	0.39	0.43	1.97	1.57	1.979 1.938	2.34	2.4606 2.4601	0.79	3.35	1.65	0.04	1.6535 1.6530	1.65	0.98	0.39	0.39	4.53	5.94
35	BSPB35D50	52.000 51.950	35.000 34.995	4.3	13.0	13.0	60.0	46.0	50.26 49.24	66.5	68.000 67.987	20.5	95	50	1.0	50.000 49.987	42.0	25.0	10.0	10.0	126.0	3.8
	(MM35BS72DUH)	2.047 2.045	1.3780 1.3778	0.17	0.51	0.51	2.36	1.81	1.979 1.938	2.62	2.6772 2.6767	0.81	3.74	1.97	0.04	1.9685 1.9680	1.65	0.98	0.39	0.39	4.96	8.36
40	BSPB40D50	52.000 51.950	40.000 39.995	4.3	13.0	13.0	60.0	46.0	50.26 49.24	66.5	68.000 67.987	20.5	95	50.0	1.0	50.000 49.987	42.0	25.0	10.0	10.0	126.0	3.7
	(MM40BS72DUH)	2.047 2.045	1.5748 1.5746	0.17	0.51	0.51	2.36	1.81	1.979 1.938	2.62	2.6772 2.6767	0.81	3.74	1.97	0.04	1.9685 1.9680	1.65	0.98	0.39	0.39	4.96	8.14

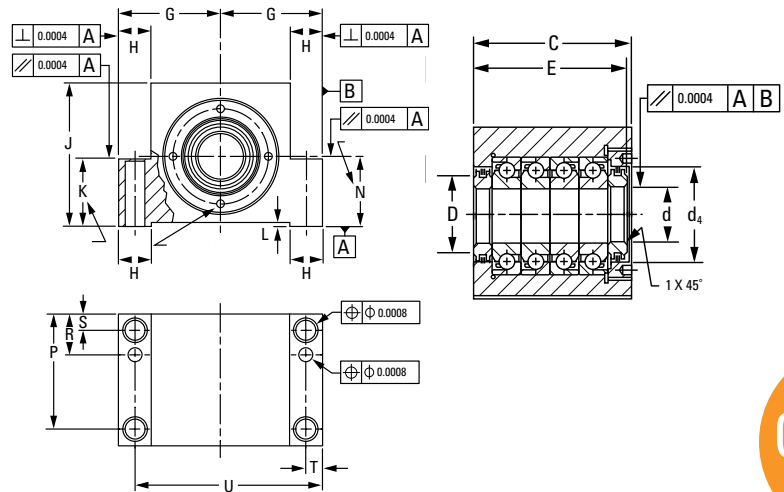
HEAVY-DUTY SERIES

35	BSPB35D65	66.000 65.950	35.000 34.995	5.3	11.8	18.0	76.0	66.0	64.26 63.24	90.0	95.000 94.987	30.0	130.0	65.0	1.0	65.000 64.987	53.0	32.0	13.0	15.0	175.0	9.7
	(MM35BS100DUH)	2.598 2.596	1.3780 1.3778	0.21	0.46	0.71	2.99	2.60	2.530 2.490	3.54	3.7402 3.7396	1.18	5.12	2.56	0.04	2.5590 2.5585	2.09	1.26	0.51	0.59	6.89	21.34
40	BSPB40D65	66.000 65.950	40.000 39.995	5.3	11.8	18.0	76.0	66.0	64.26 63.24	90.0	95.000 94.987	30.0	130.0	65.0	1.0	65.000 64.987	53.0	32.0	13.0	15.0	175.0	9.5
	(MM40BS100DUH)	2.598 2.596	1.5748 1.5746	0.21	0.46	0.71	2.99	2.60	2.530 2.490	3.54	3.7402 3.7396	1.18	5.12	2.56	0.04	2.5590 2.5585	2.09	1.26	0.51	0.59	6.89	20.90
45	BSPB45D65	66.000 65.950	45.000 44.995	5.3	11.8	18.0	76.0	66.0	64.26 63.24	90.0	95.000 94.987	30.0	130.0	65.0	1.0	65.000 64.987	53.0	32.0	13.0	15.0	175.0	9.3
	(MM45BS100DUH)	2.598 2.596	1.7716 1.7714	0.21	0.46	0.71	2.99	2.60	2.530 2.490	3.54	3.7402 3.7396	1.18	5.12	2.56	0.04	2.5590 2.5585	2.09	1.26	0.51	0.59	6.89	20.46
50	BSPB50D65	66.000 65.950	50.000 49.995	5.3	11.8	18.0	76.0	66.0	64.26 63.24	90.0	95.000 94.987	30.0	130.0	65.0	1.0	65.000 64.987	53.0	32.0	13.0	15.0	175.0	9.1
	(MM50BS100DUH)	2.598 2.596	1.9685 1.9683	0.21	0.46	0.71	2.99	2.60	2.530 2.490	3.54	3.7402 3.7396	1.18	5.12	2.56	0.04	2.5590 2.5585	2.09	1.26	0.51	0.59	6.89	20.02

BALL SCREW SUPPORT BEARING PILLOW BLOCK UNITS

BSPB Q – STANDARD AND HEAVY-DUTY BEARINGS

- Similar in design and features to the Series BSPB D, except MM-BS-QU Quadruplex bearings are used.
- Units are supplied with the bearings in quad sets mounted in the "DB" ("O") arrangement.
- Consult your Timken representative for suggested shaft fits.
- For load and speed ratings, refer to bearing data on page 204.



STANDARD SERIES – DIMENSIONAL TOLERANCES ±0.13 mm (± 0.005 in.) UNLESS OTHERWISE STATED.

Shaft Dia.	Unit Number (Bearing Set)	C	d	d ₁	d ₂	d ₃	d ₄	D	E	F	G	H	J	K	L	N	P	R	S	T	U	Wt.	
mm		mm in.	mm in.	mm in.	mm in.	mm in.	mm in.	mm in.	mm in.	mm in.	mm in.	mm in.	mm in.	mm in.	mm in.	mm in.	mm in.	mm in.	mm in.	mm in.	mm in.	mm in.	kg lbs.
17	BSPB17Q32	77.00 76.95	17.000 16.996	4.3	7.8	9.0	36.0	26.0	74.26 72.74	42.5	47.000 46.987	17	62	32.0	1.0	32.000 31.987	38.0	22.0	9.0	8.5	85.5	2.6	
	(MM17BS47QUH)	3.031 3.03	0.6693 0.6691	0.17	0.31	0.35	1.42	1.02	2.924 2.864	1.67	1.8504 1.8499	0.67	2.44	1.26	0.04	1.2598 1.2593	1.50	0.87	0.35	0.33	3.37	5.72	
20	BSPB20Q32	77.00 76.95	20.000 19.996	4.3	7.8	9.0	36.0	26.0	74.26 72.74	42.5	47.000 46.987	17	62	32.0	1.0	32.000 31.987	38.0	22.0	9.0	8.5	85.5	2.5	
	(MM20BS47QUH)	3.031 3.03	0.7874 0.7872	0.17	0.31	0.35	1.42	1.02	2.924 2.864	1.67	1.8504 1.8499	0.67	2.44	1.26	0.04	1.2598 1.2593	1.50	0.87	0.35	0.33	3.37	5.50	
25	BSPB25Q42	82.00 81.95	25.000 24.996	4.3	9.8	11.0	50.0	40.0	80.26 78.74	59.5	62.500 62.487	20	85	42.0	1.0	42.000 41.987	42.0	25.0	10.0	10.0	115.0	4.6	
	(MM25BS62QUH)	3.228 3.226	0.9842 0.9841	0.17	0.39	0.43	1.97	1.57	3.160 3.100	2.34	2.4606 2.4601	0.79	3.35	1.65	0.04	1.6535 1.6530	1.65	0.98	0.39	0.39	4.53	10.12	
30	BSPB30Q42	82.00 81.95	30.000 29.996	4.3	9.8	11.0	50.0	40.0	80.26 78.74	59.5	62.500 62.487	20	85	42.0	1.0	42.000 41.987	42.0	25.0	10.0	10.0	115.0	4.5	
	(MM30BS62QUH)	3.228 3.226	1.1811 1.1809	0.17	0.39	0.43	1.97	1.57	3.160 3.100	2.34	2.4606 2.4601	0.79	3.35	1.65	0.04	1.6535 1.6530	1.65	0.98	0.39	0.39	4.53	9.90	
35	BSPB35Q50	82.00 81.95	35.000 34.995	4.3	13.0	13.0	60.0	46.0	80.26 78.74	66.5	68.000 67.987	20.5	95	50	1.0	50.000 49.987	42.0	25.0	10.0	10.0	126.0	6.2	
	(MM35BS72QUH)	3.228 3.226	1.3780 1.3778	0.17	0.51	0.51	2.36	1.81	3.160 3.100	2.62	2.6772 2.6767	0.81	3.74	1.97	0.04	1.9685 1.9680	1.65	0.98	0.39	0.39	4.96	13.64	
40	BSPB40Q50	82.00 81.95	40.000 39.995	4.3	13.0	13.0	60.0	46.0	80.26 78.74	66.5	68.000 67.987	20.5	95	50.0	1.0	50.000 49.987	42.0	25.0	10.0	10.0	126.0	6.0	
	(MM40BS72QUH)	3.228 3.226	1.5748 1.5746	0.17	0.51	0.51	2.36	1.81	4.105 4.045	2.62	2.6772 2.6767	0.81	3.74	1.97	0.04	1.9685 1.9680	1.65	0.98	0.39	0.39	4.96	13.20	

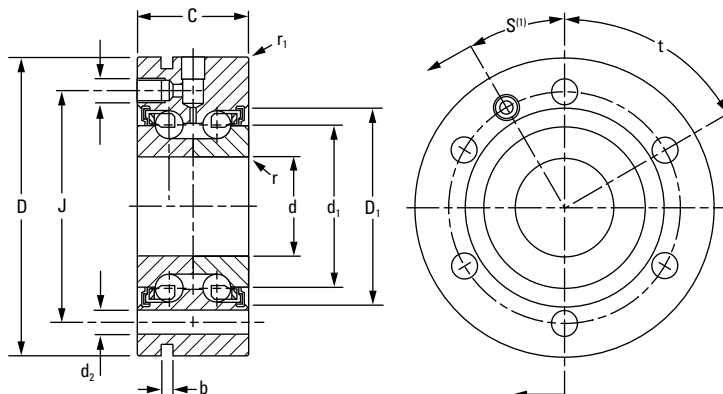
HEAVY-DUTY SERIES

35	BSPB35D65	106.00 105.95	35.000 34.995	5.3	11.8	18.0	76.0	66.0	104.26 102.74	90.0	95.000 94.987	30.0	130.0	65.0	1.0	65.000 64.987	53.0	32.0	13.0	15.0	175.0	15.9
	(MM35BS100QUH)	4.173 4.171	1.3780 1.3778	0.21	0.46	0.71	2.99	2.60	3.160 3.100	3.54	3.7402 3.7396	1.18	5.12	2.56	0.04	2.5590 2.5585	2.09	1.26	0.51	0.59	6.89	34.98
40	BSPB40Q65	106.00 105.95	40.000 39.995	5.3	11.8	18.0	76.0	66.0	104.26 102.74	90.0	95.000 94.987	30.0	130.0	65.0	1.0	65.000 64.987	53.0	32.0	13.0	15.0	175.0	15.7
	(MM40BS100QUH)	4.173 4.171	1.5748 1.5746	0.21	0.46	0.71	2.99	2.60	4.105 4.045	3.54	3.7402 3.7396	1.18	5.12	2.56	0.04	2.5590 2.5585	2.09	1.26	0.51	0.59	6.89	34.54
45	BSPB45Q65	106.00 105.95	45.000 44.995	5.3	11.8	18.0	76.0	66.0	104.26 102.74	90.0	95.000 94.987	30.0	130.0	65.0	1.0	65.000 64.987	53.0	32.0	13.0	15.0	175.0	15.4
	(MM45BS100QUH)	4.173 4.171	1.7716 1.7714	0.21	0.46	0.71	2.99	2.60	4.105 4.045	3.54	3.7402 3.7396	1.18	5.12	2.56	0.04	2.5590 2.5585	2.09	1.26	0.51	0.59	6.89	33.88
50	BSPB50Q65	106.00 105.95	50.000 49.995	5.3	11.8	18.0	76.0	66.0	104.26 102.74	90.0	95.000 94.987	30.0	130.0	65.0	1.0	65.000 64.987	53.0	32.0	13.0	15.0	175.0	15.1
	(MM50BS100QUH)	4.173 4.171	1.9685 1.9683	0.21	0.46	0.71	2.99	2.60	4.105 4.045	3.54	3.7402 3.7396	1.18	5.12	2.56	0.04	2.5590 2.5585	2.09	1.26	0.51	0.59	6.89	33.22

**BALL SCREW SUPPORT BEARINGS
SEALED, DOUBLE-ROW FLANGED STYLE**

MMF SERIES

- Specifically designed for ball screw applications.
- Integral double-row design supports axial and combined loads.
- Nominal contact angle 60 degrees for superior axial rigidity and accuracy.
- Low torque, integral contact seals.
- Easy and flexible installation without external clamping.
- Sealed duplex configuration standard with optional seals, shields, ceramic balls and quadruplex sets available.



MMF Series Flanged

Bearing Number	d Bore	D O.D.	C Width	Wt.	Capacity		Speed Rating	Radius		D ₁ Min.	d ₁ Max.
					C Dynamic	C _{0a} Static		r ₁ Outer	r Inner		
METRIC	mm +0/- (µm)		kg	mm		mm	mm	mm	mm	mm	
MMF512BS55PP DM	12 (3.8)	55 (7.6)	25 (254)	0.40	15300	18000	4700	0.6	0.3	33.1	25.0
MMF515BS60PP DM	15 (3.8)	60 (7.6)	25 (254)	0.47	16100	20200	4290	0.6	0.3	37.0	27.6
MMF517BS62PP DM	17 (3.8)	62 (7.6)	25 (254)	0.49	16800	22200	4000	0.6	0.3	37.8	28.4
MMF520BS68PP DM	20 (5.1)	68 (7.6)	28 (254)	0.64	21800	30600	3400	0.6	0.3	43.2	34.5
MMF525BS75PP DM	25 (5.1)	75 (7.6)	28 (254)	0.76	23200	36200	2900	0.6	0.3	49.5	40.6
MMF530BS80PP DM	30 (5.1)	80 (7.6)	28 (254)	0.84	24500	41500	2600	0.6	0.3	54.3	45.6
MMF540BS100PP DM	40 (6.4)	100 (7.6)	34 (254)	1.50	36300	65800	2070	0.6	0.3	68.7	57.5
MMF550BS115PP DM	50 (6.4)	115 (7.6)	34 (254)	1.37	40500	85900	1670	0.6	0.3	82.6	71.5
MMF550BS140PP DM	50 (6.4)	140 (8.9)	54 (254)	4.89	95400	164300	1460	0.6	0.6	99.6	81.1
MMF560BS145PP DM	60 (7.6)	145 (8.9)	45 (254)	4.28	71200	139700	1400	0.6	0.6	100.0	89.0

INCH	in. +0/- (x)		lbs.	in.		in.	in.	in.	in.	in.	
MMF512BS55PP DM	0.4724 (0.00015)	2.1654 (0.0003)	0.9843 (0.0100)	0.88	3450	4050	4700	0.024	0.012	1.304	0.905
MMF515BS60PP DM	0.5906 (0.00015)	2.3622 (0.0003)	0.9843 (0.0100)	1.04	3600	4550	4290	0.024	0.012	1.456	1.088
MMF517BS62PP DM	0.6693 (0.00015)	2.4409 (0.0003)	0.9843 (0.0100)	1.08	3775	5000	4000	0.024	0.012	1.49	1.117
MMF520BS68PP DM	0.7874 (0.0002)	2.6772 (0.0003)	1.1024 (0.0100)	1.42	4900	6875	3400	0.024	0.012	1.700	1.357
MMF525BS75PP DM	0.9843 (0.0002)	2.9528 (0.0003)	1.1024 (0.0100)	1.68	5200	8150	2900	0.024	0.012	1.943	1.599
MMF530BS80PP DM	1.1811 (0.0002)	3.1496 (0.0003)	1.1024 (0.0100)	1.86	5500	9350	2600	0.024	0.012	2.138	1.795
MMF540BS100PP DM	1.5748 (0.00025)	3.937 (0.0003)	1.3386 (0.0100)	3.41	8150	14800	2070	0.024	0.012	2.704	2.264
MMF550BS115PP DM	1.9685 (0.00025)	4.5276 (0.0003)	1.3386 (0.0100)	4.37	9100	19300	1670	0.024	0.012	3.25	2.815
MMF550BS140PP DM	1.9685 (0.00025)	5.5118 (0.00035)	2.126 (0.0100)	10.78	21500	36900	1460	0.024	0.024	3.919	3.192
MMF560BS145PP DM	2.3622 (0.0003)	5.7087 (0.00035)	1.7717 (0.0100)	9.43	16000	31400	1400	0.024	0.024	3.938	3.308

(1) Grease fitting spacing (S) is conditional to the quantity of bolt holes: 3 holes, S = 60°; 4 holes, S = 45°; 6 holes, S = 30°; 8 holes, S = 22.5°; 12 holes, S = 15°.



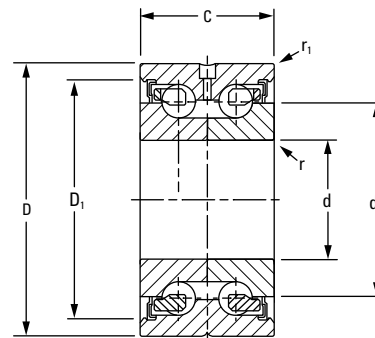
Suggested Shoulder Dia.		d ₂ Bolt Dia.	Holes	b Groove Width	J Bolt Circle Diameter	t Hole Spacing	Stiffness		Inertia Moment	Preload
Housing	Shaft						Axial	Radial		
mm	mm	mm	Qty.	mm	mm	Degrees	N/μm	N/μm	kg cm ²	N
32.0	19.0	6.5	3	3	42	120	380	60	0.062	645
34.5	21.5	6.5	3	3	46	120	400	65	0.076	670
36.5	23.5	6.5	3	3	48	120	450	72	0.097	780
42.5	27.5	6.5	4	3	53	90	650	103	0.212	1780
48.0	33.5	6.5	4	3	58	90	750	118	0.415	2000
53.5	38.5	6.5	6	3	63	60	860	135	0.6	2335
67.0	49.0	8.5	4	3	80	90	1000	160	1.728	2780
81.0	63.0	8.5	6	3	94	60	1250	200	4.288	3335
98.5	66.0	10.5	12	3	113	30	1400	220	20.94	6784
98.0	72.0	8.5	8	3	120	45	1300	210	10.184	4225

in.	in.	in.	Qty.	in.	in.	Degrees	10 ⁶ lb/in.	10 ⁶ lb/in.	lb in. ²	lbs.
1.26	0.748	0.256	3	0.118	1.654	120	2.17132	0.34284	0.021186466	145
1.358	0.846	0.256	3	0.118	1.811	120	2.2856	0.37141	0.025970506	150
1.437	0.925	0.256	3	0.118	1.89	120	2.5713	0.411408	0.033146567	175
1.673	1.083	0.256	4	0.118	2.087	90	3.7141	0.588542	0.072444044	400
1.890	1.319	0.256	4	0.118	2.283	90	4.2855	0.674252	0.141812634	450
2.106	1.516	0.256	6	0.118	2.48	60	4.91404	0.77139	0.205030314	525
2.638	1.929	0.335	4	0.118	3.15	90	5.714	0.91424	0.590487304	625
3.189	2.408	0.335	6	0.118	3.701	60	7.1425	1.1428	1.465283311	750
3.878	2.598	0.413	12	0.118	4.449	30	7.9996	1.25708	7.155557959	1525
3.858	2.835	0.335	8	0.118	4.724	45	7.4282	1.19994	3.480047863	950

**BALL SCREW SUPPORT BEARINGS
SEALED, DOUBLE-ROW
CARTRIDGE STYLE**

MMN SERIES

- Specifically designed for ball screw applications.
- Integral double-row design supports axial and combined loads.
- Nominal contact angle 60 degrees for superior axial rigidity and accuracy.
- Low torque, integral contact seals.
- Easy and flexible installation for both fixed and rotating nut designs.
- Sealed duplex configuration standard with optional seals, shields, ceramic balls and quadruplex sets available.



MMN Series

Bearing Number	d Bore	D O.D.	C Width	Wt. kg	Capacity		Speed Rating RPM	Radius		D1 Max. mm	d1 Min. mm	Suggested Shoulder Dia.		Stiffness		Inertia Moment kg cm ²	Preload N
					C Dynamic N	Coa Static N		r1 Outer mm	r Inner mm			Housing mm	Shaft mm	Axial N/μm	Radial N/μm		
METRIC	mm +/- (μm)			kg	N		RPM	mm		mm	mm	mm	mm	N/μm	N/μm	kg cm²	N
MMN512BS42PP DM	12 (3.8)	42 (6.4)	25 (254)	0.20	15300	18000	4700	0.6	0.3	25.0	33.1	32.0	19.0	380	60	0.062	645
MMN515BS45PP DM	15 (3.8)	45 (6.4)	25 (254)	0.23	16100	20200	4290	0.6	0.3	27.6	37.0	34.5	21.5	400	65	0.076	670
MMN517BS47PP DM	17 (3.8)	47 (6.4)	25 (254)	0.24	16800	22200	4000	0.6	0.3	28.4	37.8	36.5	23.5	450	72	0.097	780
MMN520BS52PP DM	20 (5.1)	52 (7.6)	28 (254)	0.32	21800	30600	3400	0.6	0.3	34.5	43.2	42.5	27.5	650	103	0.212	1780
MMN525BS57PP DM	25 (5.1)	57 (7.6)	28 (254)	0.35	23200	36200	2900	0.6	0.3	40.6	49.3	48.0	33.5	750	118	0.415	2000
MMN530BS62PP DM	30 (5.1)	62 (7.6)	28 (254)	0.40	24500	41500	2600	0.6	0.3	45.6	54.3	53.5	38.5	860	135	0.6	2335
MMN540BS75PPDM	40 (6.4)	75 (7.6)	34 (254)	0.64	36300	65800	2070	0.6	0.3	57.5	68.7	67.0	49.0	1000	160	1.728	2780
MMN550BS90PP DM	50 (6.4)	90 (7.6)	34 (254)	0.91	40500	85900	1670	0.6	0.3	71.5	82.6	81.0	63.0	1250	200	4.288	3335
MMN550BS110PP DM	50 (6.4)	110 (8.9)	54 (254)	2.42	95400	164300	1460	0.6	0.6	81.1	99.6	98.5	66.0	1400	220	20.94	6784
MMN560BS110PP DM	60 (7.6)	110 (8.9)	45 (254)	1.82	71200	139700	1400	0.6	0.6	84.0	100.0	98.0	72.0	1300	210	10.184	4225

C

Bearing Number	d Bore	D O.D.	C Width	Wt.	Capacity		Speed Rating	Radius		D ₁ Min.	d ₁ Max.	Suggested Shoulder Dia.		Stiffness		Inertia Moment	Preload
					C Dynamic	C _{0a} Static		r ₁ Outer	r Inner			Housing	Shaft	Axial	Radial		
INCH	in. +0/-(x)			lbs.	lbs.		RPM	in.	in.	in.	in.	in.	in.	10 ⁶ lb/in.	10 ⁶ lb/in.	lb in. ²	lbs.
MMN512BS42PP DM	0.4724 (0.00015)	1.6535 (0.00025)	0.9843 (0.0100)	0.44	3450	4050	4700	0.024	0.012	1.304	0.985	1.259	0.748	2.17132	0.34284	0.021186466	145
MMN515BS45PP DM	0.5906 (0.00015)	1.7717 (0.00025)	0.9843 (0.0100)	0.5	3600	4550	4290	0.024	0.012	1.456	1.088	1.358	0.846	2.2856	0.37141	0.025970506	150
MMN517BS47PP DM	0.6693 (0.00015)	1.8504 (0.00025)	0.9843 (0.0100)	0.54	3775	5000	4000	0.024	0.012	1.49	1.117	1.437	0.925	2.5713	0.411408	0.033146567	175
MMN520BS52PP DM	0.7874 (0.0002)	2.0472 (0.0003)	1.1024 (0.0100)	0.70	4900	6875	3400	0.024	0.012	1.700	1.357	1.673	1.083	3.7141	0.588542	0.072444044	400
MMN525BS57PP DM	0.9843 (0.0002)	2.2441 (0.0003)	1.1024 (0.0100)	0.78	5200	8150	2900	0.024	0.012	1.943	1.599	1.890	1.319	4.2855	0.674252	0.141812634	450
MMN530BS62PP DM	1.1811 (0.0002)	2.4409 (0.0003)	1.1024 (0.0100)	0.88	5500	9350	2600	0.024	0.012	2.138	1.795	2.106	1.516	4.91404	0.77139	0.205030314	525
MMN540BS75PPDM	1.5748 (0.00025)	2.9528 (0.0003)	1.3386 (0.0100)	1.42	8150	14800	2070	0.024	0.012	2.704	2.264	2.638	1.929	5.714	0.91424	0.590487304	625
MMN550BS90PP DM	1.9685 (0.00025)	3.5433 (0.0003)	1.3386 (0.0100)	2.02	9100	19300	1670	0.024	0.012	3.250	2.815	3.189	2.408	7.1425	1.1428	1.465283311	750
MMN550BS110PP DM	1.9685 (0.00025)	4.3307 (0.00035)	2.126 (0.0100)	5.34	21500	36900	1460	0.024	0.024	3.919	3.192	3.878	2.598	7.9996	1.25708	7.155557959	1525
MMN560BS110PP DM	2.3622 (0.0003)	4.3307 (0.00035)	1.7717 (0.0100)	4.02	16000	31400	1400	0.024	0.024	3.938	3.308	3.858	2.835	7.4282	1.19994	3.480047863	950



EX-CELL-O SPINDLE BEARINGS

- “EX” Series (Timken W1 construction) designed to meet Ex-Cell-O replacement requirements for inch nominal spindles with bore and O.D. tolerances nominal to plus.
- “XWO” Series (Timken W0 separable construction) designed to meet Ex-Cell-O replacement requirements for inch nominal spindles with bore and O.D. tolerances nominal to minus.
- Measurement of shafts and housings (or reconditioning of parts) should determine replacement bearing style.
- Shafts and housings should be checked (and reworked) to avoid improper shaft and housing fits.
- Preload selection should be based on operating speed and lubrication system of spindle.

MM-EX

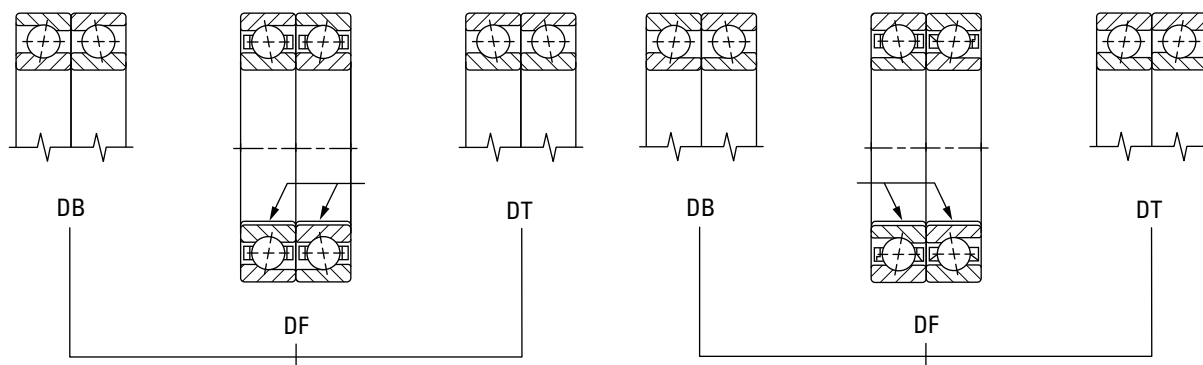
REPLACEMENT BEARINGS FOR EX-CELL-O SPINDLES

Bearing Number	Ex-Cell-O Part No.	Preload	Bore		O.D.		Width - Pair		Speed Rating Grease
			Max.	Min.	Max.	Min.	Max.	Min.	
			in.		in.		in.		
MM20EXCR DU FS223	20	0	0.3752	0.3750	1.1252	1.1250	0.6875	0.6775	65000
MM30EXCR DU FS223	30	0	0.6252	0.6250	1.5002	1.5000	1.0000	0.9900	35000
MM30EXCR DU 5	30	5	0.6252	0.6250	1.5002	1.5000	1.0000	0.9900	25000
MM50EXCR DU FS223	50	0	0.8127	0.8125	2.0002	2.0000	1.0000	0.9900	30000
(1) MM50EXCR DU 10	50	10	0.8127	0.8125	2.0002	2.0000	1.0000	0.9900	18000
MM50EXCR DU 50	50	50	0.8127	0.8125	2.0002	2.0000	1.0000	0.9900	5000
MM55EXCR DU 10	55	10	0.8127	0.8125	2.0002	2.0000	1.0000	0.9900	22000
MM57EXCR DU FS223	57	0	1.0627	1.0625	2.2502	2.2500	1.0000	0.9900	30000
MM57EXCR DU 10	57	10	1.0627	1.0625	2.2502	2.2500	1.0000	0.9900	15000
MM57EXCR DU 50	57	50	1.0627	1.0625	2.2502	2.2500	1.0000	0.9900	5000
MM67EXCR DU FS223	67	0	1.2502	1.2500	2.4377	2.4375	1.2500	1.2400	30000
MM67EXCR DU 10	67	10	1.2502	1.2500	2.4377	2.4375	1.2500	1.2400	12500
MM67EXCR DU 30	67	30	1.2502	1.2500	2.4377	2.4375	1.2500	1.2400	7500
MM67EXCR DU 75	67	75	1.2502	1.2500	2.4377	2.4375	1.2500	1.2400	4500
MM90EXCR DU 20	90	20	1.6252	1.6250	3.4377	3.4375	1.6250	1.6150	10000
MM90EXCR DU 100	90	100	1.6252	1.6250	3.4377	3.4375	1.6250	1.6150	4500
MM90EXCR DU 150	90	150	1.6252	1.6250	3.4377	3.4375	1.6250	1.6150	2700
MM90EXCR DU 250	90	250	1.6252	1.6250	3.4377	3.4375	1.6250	1.6150	900
(2) MM92EXCR DU 20	92	20	1.7502	1.7500	3.4377	3.4375	1.6250	1.6150	12000
(2) MM92EXCR DU 100	92	100	1.7502	1.7500	3.4377	3.4375	1.6250	1.6150	4500
(2) MM92EXCR DU 150	92	150	1.7502	1.7500	3.4377	3.4375	1.6250	1.6150	2700
(2) MM92EXCR DU 250	92	250	1.7502	1.7500	3.4377	3.4375	1.6250	1.6150	900
MM115EXCR DU 30	115	30	2.2502	2.2500	4.7502	4.7500	2.2500	2.2400	5000
MM115EXCR DU 250	115	250	2.2502	2.2500	4.7502	4.7500	2.2500	2.2400	3600
MM115EXCR DU 350	115	350	2.2502	2.2500	4.7502	4.7500	2.2500	2.2400	1800
MM135EXCR DU 20	135	20	1.2502	1.2500	2.6877	2.6875	1.2500	1.2400	8000
MM135EXCR DU 75	135	75	1.2502	1.2500	2.6877	2.6875	1.2500	1.2400	4000
MM155EXCR DU 150	155	150	2.7502	2.7500	4.7502	4.7500	2.2500	2.2400	4000
MM155EXCR DU 300	155	300	2.7502	2.7500	4.7502	4.7500	2.2500	2.2400	1800
MM165EXCR DU 200	165	200	3.5002	3.5000	6.3127	6.3125	3.0000	2.9900	2800
MM165EXCR DU 400	165	400	3.5002	3.5000	6.3127	6.3125	3.0000	2.9900	1200

Do not interchange with MM-XWO. MM-EX produced to nominal plus tolerance.

(1) Four slots in outer ring faces.
(2) No keyway in bore.

TIMKEN MM-EX AND MM-XWO BEARINGS FOR REPLACEMENT ON EX-CELL-O SPINDLES



MM-XWO

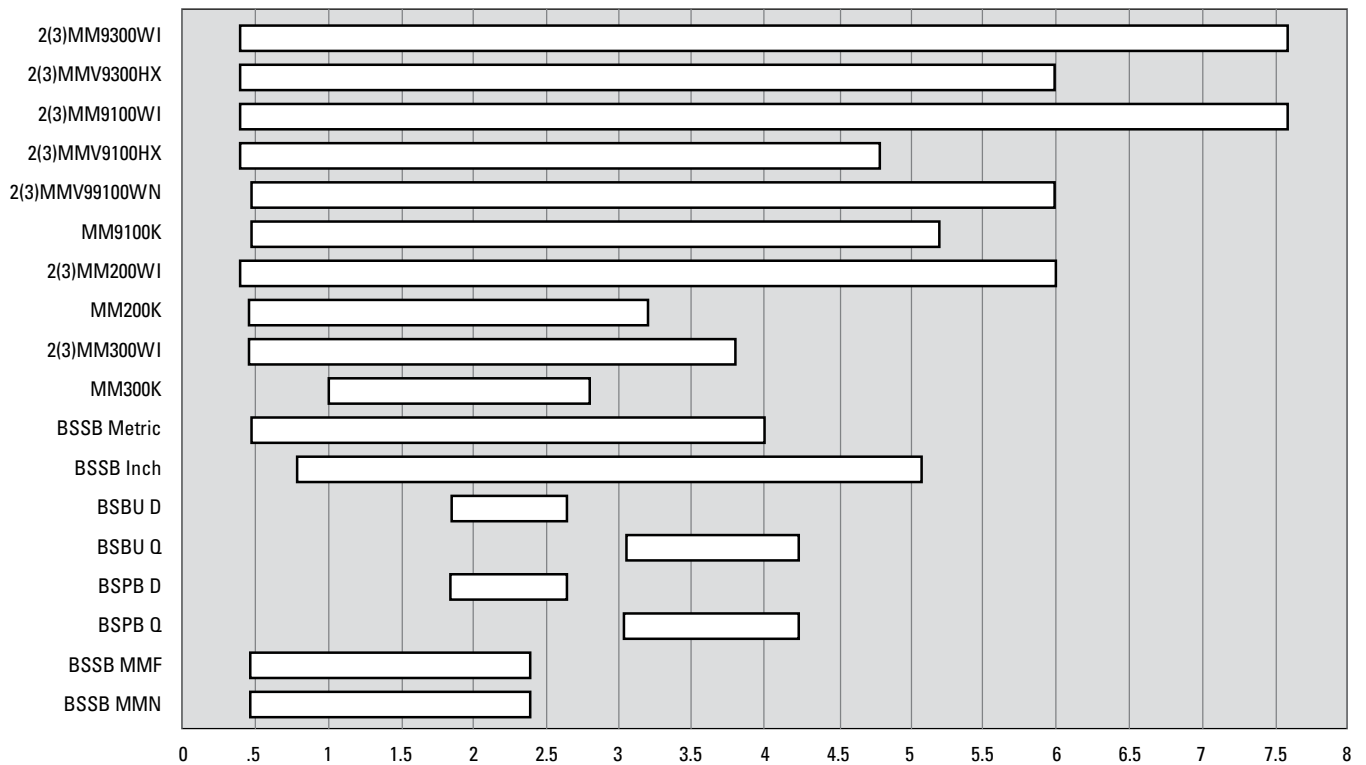
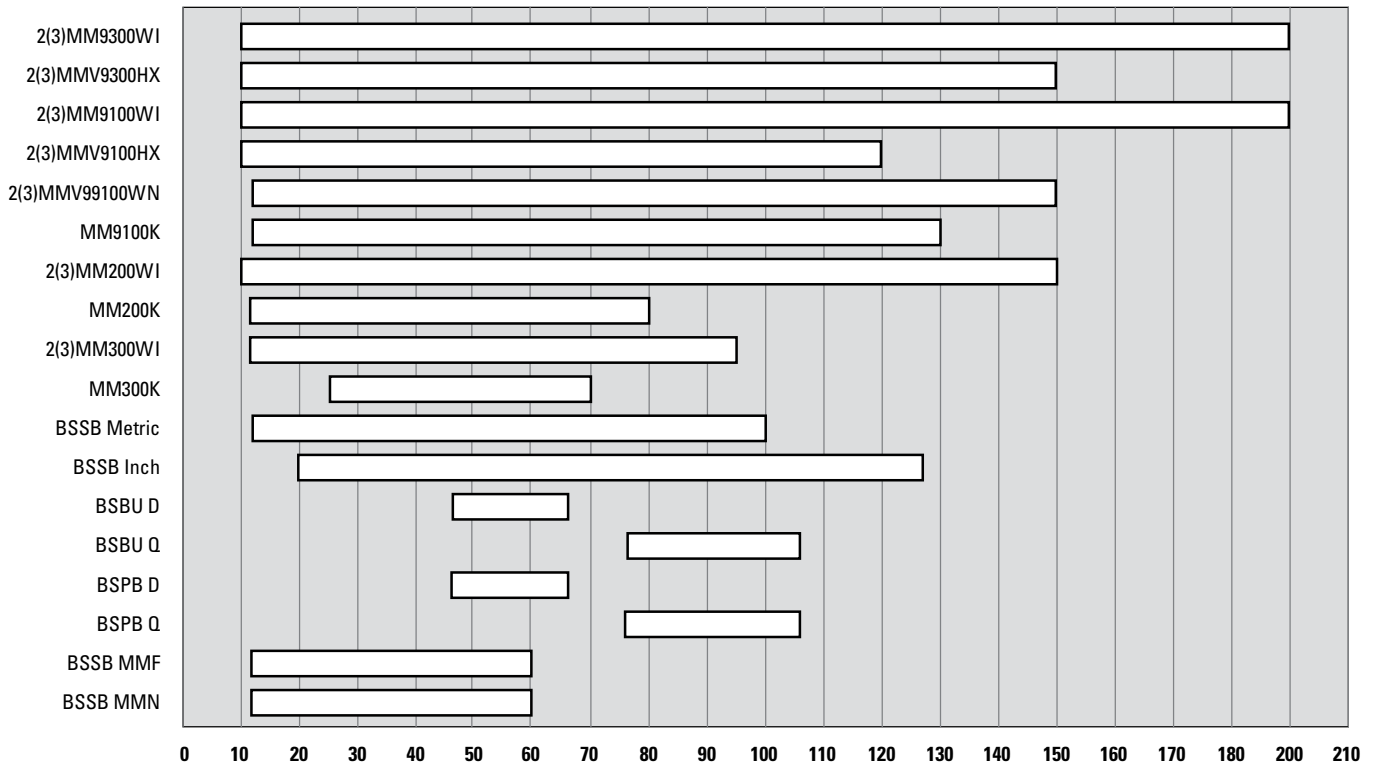
REPLACEMENT BEARINGS FOR EX-CELL-O SPINDLES

Bearing Number	Ex-Cell-O Part No.	Preload	Bore		O.D.		Width - Pair		Speed Rating		
			Max.	Min.	Max.	Min.	Max.	Min.	Grease	Oil	Mist
		lbs.	in.		in.		in.		RPM		
MM20XWOCRDU E9103A	XLO 20-107	0	0.37500	0.37485	1.1250	1.1248	0.6875	0.6675	40000	65000	80000
MM30XWOCRDU E9103C	XLO 30-57	10	0.62500	0.62485	1.5000	1.4998	1.0000	0.9800	27000	30000	35000
MM30XWOCRDU E9103A	XLO 30-107	0	0.62500	0.62485	1.5000	1.4998	1.0000	0.9800	35000	40000	60000
MM55XWOCRDU E9103E	XLO 55-27	50	0.81250	0.81235	2.0000	1.9998	1.0000	0.9800	5000	8000	12000
MM55XWOCRDU E9103C	XLO 55-57	20	0.81250	0.81235	2.0000	1.9998	1.0000	0.9800	20000	22000	24000
MM55XWOCRDU E9103A	XLO 55-107	0	0.81250	0.81235	2.0000	1.9998	1.0000	0.9800	24000	27000	45000
MM57XWOCRDU E9103F	XLO 57-17	100	1.06250	1.06235	2.2500	2.2498	1.0000	0.9800	2000	4000	6000
MM57XWOCRDU E9103C	XLO 57-57	20	1.06250	1.06235	2.2500	2.2498	1.0000	0.9800	18000	20000	22000
MM57XWOCRDU E9103A	XLO 57-107	0	1.06250	1.06235	2.2500	2.2498	1.0000	0.9800	22000	25000	35000
MM67XWOCRDU E9103F	XLO 67-17	90	1.25000	1.24980	2.4375	2.4373	1.2500	1.2300	36000	4500	6000
MM67XWOCRDU E9103C	XLO 67-57	20	1.25000	1.24980	2.4375	2.4373	1.2500	1.2300	12500	15000	20000
MM67XWOCRDU E9103A	XLO 67-107	0	1.25000	1.24980	2.4375	2.4373	1.2500	1.2300	16000	20000	30000
MM90XWOCRDU E9103F	XLO 90-17	250	1.62500	1.62480	3.4375	3.4372	1.6250	1.6050	1000	2000	4000
MM90XWOCRDU E9103D	XLO 90-47	175	1.62500	1.62480	3.4375	3.4372	1.6250	1.6050	3000	5000	8000
MM90XWOCRDU E9103C	XLO 90-57	100	1.62500	1.62480	3.4375	3.4372	1.6250	1.6050	5000	7000	11000
MM90XWOCRDU E9103A	XLO 90-77	20	1.62500	1.62480	3.4375	3.4372	1.6250	1.6050	10000	14000	20000
MM115XWOCRDU E9103E	XLO 115-27	300	2.25000	2.24980	4.7500	4.7496	2.2500	2.2300	1000	2000	3000
MM115XWOCRDU E9103C	XLO 115-47	150	2.25000	2.24980	4.7500	4.7496	2.2500	2.2300	3000	4500	7000
MM115XWOCRDU E9103A	XLO 115-77	30	2.25000	2.24980	4.7500	4.7496	2.2500	2.2300	6000	8000	15000
MM135XWOCRDU E9103C	XLO 135-67	50	1.25000	1.24980	2.6875	2.6873	1.2500	1.2300	6000	7000	12000
MM135XWOCRDU E9103A	XLO 135-10	70	1.25000	1.24980	2.6875	2.6873	1.2500	1.2300	15000	19000	28000
MM155XWOCRDU E9103D	XLO 155-37	300	2.75000	2.74980	4.7500	4.7496	2.2500	2.2300	1000	2000	3000
MM155XWOCRDU E9103B	XLO 155-67	150	2.75000	2.74980	4.7500	4.7496	2.2500	2.2300	4000	5000	6500
MM155XWOCRDU E9103A	XLO 155-87	50	2.75000	2.74980	4.7500	4.7496	2.2500	2.2300	6000	7000	10000
MM165XWOCRDU E9103E	XLO 165-27	800	3.50000	3.49975	6.3125	6.3121	3.0000	2.9800	500	1000	2000
MM165XWOCRDU E9103C	XLO 165-57	250	3.50000	3.49975	6.3125	6.3121	3.0000	2.9800	2000	3000	5000
MM165XWOCRDU E9103A	XLO 165-87	50	3.50000	3.49975	6.3125	6.3121	3.0000	2.9800	5000	6500	9000

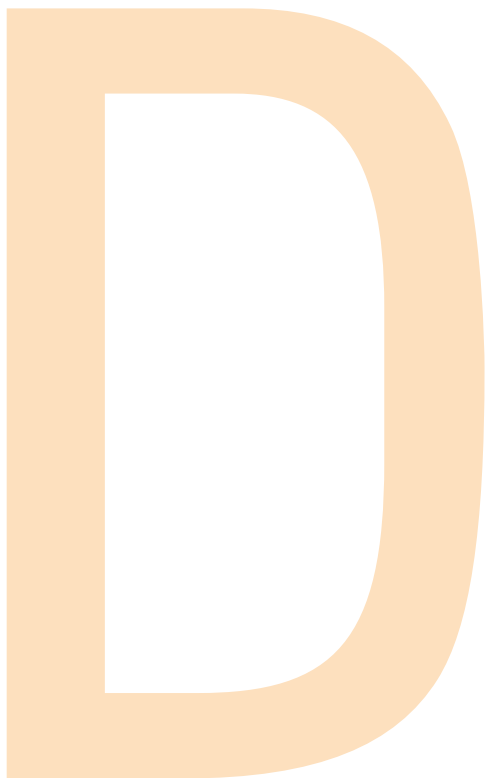
Do not interchange with MM-EX.
MM-XWO produced to nominal minus tolerance.



BALL BEARING BORE DIAMETERS FOUND IN THIS CATALOG



APPENDIX



D

D APPENDIX

<i>Frequency Coefficients</i>	218
<i>Tapered Roller Bearings</i>	218
<i>Ball Bearings</i>	222
<i>Ball Screw Support Series</i>	236
<i>Precision Tag Deviation and Runout Charts</i>	237
<i>Geometry Factors</i>	239
<i>Radial Internal Clearance</i>	241
<i>Bearing Locknuts</i>	242
<i>Locknut Torque</i>	242
<i>Lubrication Specifications</i>	243
<i>Operating Temperatures for Bearing</i>	
<i>Component Materials</i>	245
<i>Conversion Tables</i>	246
<i>Forms</i>	247

FREQUENCY COEFFICIENTS

TAPERED ROLLER BEARINGS

Predictive maintenance of applications requires knowledge of the frequencies that a bearing can emit, which are based on its specific design. The tables that follow provide the most commonly used coefficients for this purpose. The frequencies are expressed as "Orders." To obtain bearing defect frequencies in Hz, multiply bearing coefficient by rotating speed in revolutions per second.

Tapered roller bearing example:

(FTF of JP6049-JP6010-B)

$$1200 \text{ RPM} \times 1 \text{ min}/60 \text{ sec} \times 0.436 = 8.72 \text{ Hz}$$

Ball bearing example:

(FTF of 2MM9300WI)

$$1200 \text{ RPM} \times 1 \text{ min}/60 \text{ sec} \times 0.4054 = 8.108 \text{ Hz}$$

TS Metric Style

FTF: Fundamental Train Frequency: the frequency at which the cage will operate.

BSF: Ball Spin Frequency: the frequency at which a single defect on a rolling element will be detected.

BPFO: Ball Pass Frequency Outer: the frequency at which a single defect in the outer race will be detected.

BPFI: Ball Pass Frequency Inner: the frequency at which a single defect in the inner race will be detected.

Part Number	FTF-Inner ⁽¹⁾	BSF	BPFO	BPFI	FTF-Outer ⁽²⁾
JP6049-JP6010	0.436	3.676	8.275	10.725	0.564
JLM710949C-JLM710910	0.441	4.070	9.271	11.729	0.559
JP7049-JP7010	0.443	4.160	9.299	11.701	0.557
JP8049-JP8010	0.444	4.255	9.323	11.677	0.556
JM716649-JM716610	0.452	5.019	11.761	14.239	0.548
JP9049-JP9010	0.449	4.669	10.331	12.669	0.551
JP10044-JP10010	0.453	5.093	11.331	13.669	0.547
JM719149-JM719113	0.448	4.580	10.748	13.252	0.552
JP10049-JP10010	0.453	5.093	11.331	13.669	0.547
JM822049-JM822010	0.454	5.169	12.260	14.740	0.546
JLM722948-JLM722912	0.459	5.761	13.297	15.703	0.541
JL724348-JL724314	0.462	6.367	15.260	17.740	0.538
JL725346-JL725316	0.464	6.606	16.236	18.764	0.536
JP13049-JP13010	0.455	5.252	11.820	14.180	0.545
JP14049-JP14010	0.458	5.587	12.811	15.189	0.542
JL730646-JL730612	0.467	7.219	17.273	19.727	0.533
JP16049-JP16010	0.459	5.791	13.308	15.692	0.541
JP17049-JP17010	0.461	6.132	14.292	16.708	0.539
JP18049-JP18010	0.463	6.437	14.816	17.184	0.537
JM736149-JM736110	0.462	6.290	14.787	17.213	0.538

⁽¹⁾ For inner ring rotation.

⁽²⁾ For outer ring rotation.

TS Inch Style

FTF: Fundamental Train Frequency: the frequency at which the cage will operate.

BSF: Ball Spin Frequency: the frequency at which a single defect on a rolling element will be detected.

BPFO: Ball Pass Frequency Outer: the frequency at which a single defect in the outer race will be detected.

BPFI: Ball Pass Frequency Inner: the frequency at which a single defect in the inner race will be detected.

Part Number	FTF-Inner ⁽¹⁾	BSF	BPFO	BPFI	FTF-Outer ⁽²⁾
29585-29520	0.452	4.935	11.742	14.258	0.548
399A-394A	0.443	4.191	9.740	12.260	0.557
29685-29620	0.455	5.251	12.277	14.723	0.545
34301-34478	0.450	4.734	10.789	13.211	0.550
497-493	0.448	4.606	10.307	12.693	0.552
LM718947-LM718910	0.452	4.970	11.303	13.697	0.548
52400-52618	0.452	4.935	11.745	14.255	0.548
68462-68712	0.450	4.749	11.251	13.749	0.550
36690-36620	0.472	8.597	20.286	22.714	0.528
36990-36920	0.477	10.260	23.829	26.171	0.523
87750-87111	0.457	5.592	13.253	15.747	0.543
67985-67920	0.470	7.996	19.283	21.717	0.530
543085-543114	0.473	8.987	19.868	22.132	0.527

⁽¹⁾ For inner ring rotation.

⁽²⁾ For outer ring rotation.

TSF Metric Style

FTF: Fundamental Train Frequency: the frequency at which the cage will operate.

BPFO: Ball Pass Frequency Outer: the frequency at which a single defect in the outer race will be detected.

BSF: Ball Spin Frequency: the frequency at which a single defect on a rolling element will be detected.

BPFI: Ball Pass Frequency Inner: the frequency at which a single defect in the inner race will be detected.

Part Number	FTF-Inner ⁽¹⁾	BSF	BPFO	BPFI	FTF-Outer ⁽²⁾
JP6049-JP6010-B	0.436	3.676	8.275	10.725	0.564
JP7049-JP7010-B	0.443	4.160	9.299	11.701	0.557
JP8049-JP8010-B	0.444	4.255	9.323	11.677	0.556
JP9049-JP9010-B	0.449	4.669	10.331	12.669	0.551
JP10044-JP10010-B	0.453	5.093	11.331	13.669	0.547
JP10049-JP10010-B	0.453	5.093	11.331	13.669	0.547
JP13049-JP13010-B	0.455	5.252	11.820	14.180	0.545
JP14049-JP14010-B	0.458	5.587	12.811	15.189	0.542
JL730646-JL730612-B	0.467	7.219	17.273	19.727	0.533

⁽¹⁾ For inner ring rotation.

⁽²⁾ For outer ring rotation.

TSF Inch Style

Part Number	FTF-Inner ⁽¹⁾	BSF	BPFO	BPFI	FTF-Outer ⁽²⁾
2984-2924-B	0.434	3.643	8.244	10.755	0.566
3984-3920-B	0.443	4.191	9.740	12.260	0.557
482-472-B	0.439	3.948	8.783	11.217	0.561
566-563-B	0.435	3.713	8.705	11.295	0.565
33287-33462-B	0.448	4.568	10.295	12.705	0.552
27690-27620-B	0.457	5.599	12.340	14.660	0.543
42350-42587-B	0.454	5.118	11.793	14.207	0.546
683-672-B	0.446	4.367	10.247	12.753	0.555
687-672-B	0.446	4.367	10.247	12.753	0.555
71450-71750-B	0.444	4.296	10.217	12.783	0.556

⁽¹⁾ For inner ring rotation.

⁽²⁾ For outer ring rotation.

TSHR Style

FTF: Fundamental Train Frequency: the frequency at which the cage will operate.

BSF: Ball Spin Frequency: the frequency at which a single defect on a rolling element will be detected.

BPFO: Ball Pass Frequency Outer: the frequency at which a single defect in the outer race will be detected.

BPFI: Ball Pass Frequency Inner: the frequency at which a single defect in the inner race will be detected.

Part Number	FTF-Inner ⁽¹⁾	BSF	BPFO	BPFI	FTF-Outer ⁽²⁾
JP5049P-JP5019HR	0.426	3.178	6.815	9.185	0.574
JP5049P-JP5020HR	0.426	3.178	6.815	9.185	0.574
JP5049PH-JP5017HR	0.426	3.178	6.815	9.185	0.574
JP5049PH-JP5020HR	0.426	3.178	6.815	9.185	0.574
JP7548P-JP7520HR	0.446	4.387	8.918	11.082	0.554
JP7549P-JP7519HR	0.446	4.387	8.918	11.082	0.554
JP8548-JP8518HR	0.447	4.462	9.827	12.173	0.553
JP8549P-JP8519HR	0.447	4.462	9.827	12.173	0.553
JP10048-JP10019HR	0.453	5.093	9.971	12.029	0.547
JP10048-JP10019HRA	0.453	5.093	9.971	12.029	0.547
JP11035-JP11019HR	0.452	4.955	9.937	12.063	0.548
JP11048-JP11019HR	0.452	4.955	9.937	12.063	0.548
JP12043P-JP12019HR	0.455	5.317	11.835	14.165	0.545
JP12049P-JP12019HR	0.455	5.317	11.835	14.165	0.545
JP13043P-JP13016HR	0.455	5.252	11.820	14.180	0.545
JP13049P-JP13016HR	0.455	5.252	11.820	14.180	0.545
JP14043P-JP14019HR	0.458	5.587	12.353	14.647	0.542
JP14049P-JP14019HR	0.458	5.587	12.353	14.647	0.542
JP16043P-JP16019HR	0.459	5.791	12.849	15.151	0.541
JP16049P-JP16019HR	0.459	5.791	12.849	15.151	0.541
JP17049P-JP17019HR	0.461	6.132	13.831	16.169	0.539
JP18049P-JP18019HR	0.463	6.437	14.353	16.647	0.537
JP20049P-JP20019HR	0.462	6.240	12.006	13.994	0.538
JP22049E-JP22019HR	0.465	6.769	13.949	16.051	0.535
JL555235-JL55512HR	0.472	8.567	16.041	17.959	0.528
JL555239-JL55512HR	0.472	8.567	16.041	17.959	0.528

⁽¹⁾ For inner ring rotation.

⁽²⁾ For outer ring rotation.

FREQUENCY COEFFICIENTS

BALL BEARINGS

2MM9300WI Series

FTF: Fundamental Train Frequency: the frequency at which the cage will operate.

BPFO: Ball Pass Frequency Outer: the frequency at which a single defect in the outer race will be detected.

BSF: Ball Spin Frequency: the frequency at which a single defect on a rolling element will be detected.

BPFI: Ball Pass Frequency Inner: the frequency at which a single defect in the inner race will be detected.

Bearing Number	FTF-Inner ⁽¹⁾	BSF	BPFO	BPFI	FTF-Outer ⁽²⁾
2MM9300WI	0.4054	2.4294	4.8649	7.1351	0.5946
2MM9301WI	0.4159	2.7546	5.4070	7.5930	0.5841
2MM9302WI	0.4204	2.9335	5.4650	7.5350	0.5796
2MM9303WI	0.4272	3.2198	6.4074	8.5926	0.5728
2MM9304WI	0.4194	2.9144	5.8719	8.1281	0.5806
2MM9305WI	0.4314	3.4509	7.3346	9.6654	0.5686
2MM9306WI	0.4404	3.9846	8.3667	10.6333	0.5596
2MM9307WI	0.4405	3.9924	8.3695	10.6305	0.5595
2MM9308WI	0.4399	3.9578	8.3586	10.6414	0.5601
2MM9309WI	0.4458	4.3966	9.3612	11.6388	0.5542
2MM9310WI	0.4498	4.7547	10.3448	12.6552	0.5502
2MM9311WI	0.4490	4.6752	10.3262	12.6738	0.5510
2MM9312WI	0.4525	5.0286	11.3121	13.6879	0.5475
2MM9313WI	0.4556	5.3816	12.2999	14.7001	0.5444
2MM9314WI	0.4504	4.8196	10.8092	13.1908	0.5496
2MM9315WI	0.4531	5.1086	11.3285	13.6715	0.5469
2MM9316WI	0.4556	5.3974	12.3014	14.6986	0.5444
2MM9317WI	0.4557	5.3371	11.8322	14.1678	0.5449
2MM9318WI	0.4537	5.1643	11.7957	14.2043	0.5463
2MM9319WI	0.4557	5.4085	12.7607	15.2393	0.5443
2MM9320WI	0.4585	5.7746	13.2966	15.7034	0.5415
2MM9322WI	0.4617	6.2622	14.3126	16.6874	0.5383
2MM9324WI	0.4596	5.9438	13.7888	16.2112	0.5404
2MM9326WI	0.4580	5.7028	13.7392	16.2608	0.5420
2MM9328WI	0.4605	6.0759	14.7367	17.2633	0.5395
2MM9330WI	0.4531	5.1086	12.2348	14.7652	0.5469
2MM9332WI	0.4536	5.1589	12.2480	14.7520	0.5464
2MM9334WI	0.4559	5.4349	13.2209	15.7791	0.5441
2MM9340WI	0.4521	4.9931	12.2062	14.7938	0.5479

⁽¹⁾ For inner ring rotation.

⁽²⁾ For outer ring rotation.

3MM9300WI Series

FTF: Fundamental Train Frequency: the frequency at which the cage will operate.

BSF: Ball Spin Frequency: the frequency at which a single defect on a rolling element will be detected.

BPF0: Ball Pass Frequency Outer: the frequency at which a single defect in the outer race will be detected.

BPFI: Ball Pass Frequency Inner: the frequency at which a single defect in the inner race will be detected.

Bearing Number	FTF-Inner ⁽¹⁾	BSF	BPF0	BPFI	FTF-Outer ⁽²⁾
3MM9300WI	0.4100	2.4380	4.9204	7.0796	0.5900
3MM9302WI	0.4248	2.9417	5.5225	7.4775	0.5752
3MM9303WI	0.4312	3.2273	6.4681	8.5319	0.5688
3MM9305WI	0.4356	3.4586	7.4044	9.5956	0.5644
3MM9306WI	0.4439	3.9913	8.4346	10.5654	0.5561
3MM9307WI	0.4440	3.9990	8.4366	10.5634	0.5560
3MM9308WI	0.4437	3.9648	8.4295	10.5705	0.5563
3MM9309WI	0.4491	4.4029	9.4320	11.5680	0.5509
3MM9310WI	0.4529	4.7606	10.4166	12.5834	0.5471
3MM9311WI	0.4521	4.6811	10.3983	12.6017	0.5479
3MM9312WI	0.4554	5.0340	11.3851	13.6149	0.5446
3MM9313WI	0.4583	5.3867	12.3736	14.6264	0.5417
3MM9314WI	0.4535	4.8255	10.8839	13.1161	0.5465
3MM9315WI	0.4561	5.1141	11.4020	13.5980	0.5439
3MM9316WI	0.4584	5.4026	12.3766	14.6234	0.5416
3MM9317WI	0.4579	5.3423	11.9047	14.0953	0.5421
3MM9318WI	0.4565	5.1696	11.8699	14.1301	0.5435
3MM9319WI	0.4585	5.4136	12.8371	15.1629	0.5415
3MM9320WI	0.4611	5.7794	13.3708	15.6292	0.5389
3MM9322WI	0.4641	6.2666	14.3858	16.6142	0.5359
3MM9324WI	0.4622	5.9485	13.8645	16.1355	0.5378
3MM9326WI	0.4606	5.7077	13.8171	16.1829	0.5394
3MM9328WI	0.4630	6.0804	14.8147	17.1853	0.5370
3MM9330WI	0.4561	5.1141	12.3141	14.6859	0.5439
3MM9334WI	0.4586	5.4401	13.3007	15.6993	0.5414
3MM9340WI	0.4551	4.9987	12.2879	14.7121	0.5449

⁽¹⁾ For inner ring rotation.

⁽²⁾ For outer ring rotation.

D

2MMV9300HX Series

FTF: Fundamental Train Frequency: the frequency at which the cage will operate.

BPFO: Ball Pass Frequency Outer: the frequency at which a single defect in the outer race will be detected.

BSF: Ball Spin Frequency: the frequency at which a single defect on a rolling element will be detected.

BPFI: Ball Pass Frequency Inner: the frequency at which a single defect in the inner race will be detected.

Part Number	FTF-inner ⁽¹⁾	BSF	BPFO	BPFI	FTF-Outer ⁽²⁾
2MMV9300HX	0.4283	3.2887	5.5682	7.4318	0.5717
2MMV9302HX	0.4363	3.7164	6.1081	7.8919	0.5637
2MMV9302HX	0.4378	3.8096	7.0041	8.9959	0.5622
2MMV9303HX	0.4431	4.1747	7.5319	9.4681	0.5569
2MMV9304HX	0.4396	3.9312	7.4726	9.5274	0.5604
2MMV9305HX	0.4486	4.6398	8.9717	11.0283	0.5514
2MMV9306HX	0.4553	5.3464	10.4710	12.5290	0.5447
2MMV9307HX	0.4575	5.6286	11.4364	13.5636	0.5425
2MMV9308HX	0.4400	3.9579	8.3598	10.6402	0.5600
2MMV9309HX	0.4458	4.3967	9.3624	11.6376	0.5542
2MMV9310HX	0.4498	4.7548	10.3460	12.6540	0.5502
2MMV9311HX	0.4490	4.6752	10.3262	12.6738	0.5510
2MMV9312HX	0.4525	5.0286	11.3121	13.6879	0.5475
2MMV9313HX	0.4556	5.3816	12.2999	14.7001	0.5444
2MMV9314HX	0.4504	4.8197	10.8104	13.1896	0.5496
2MMV9315HX	0.4532	5.1087	11.3297	13.6703	0.5468
2MMV9316HX	0.4557	5.3975	12.3026	14.6974	0.5443
2MMV9317HX	0.4551	5.3372	11.8338	14.1662	0.5449
2MMV9318HX	0.4537	5.1642	11.7952	14.2048	0.5463
2MMV9319HX	0.4557	5.4085	12.7601	15.2399	0.5443
2MMV9320HX	0.4585	5.7746	13.2961	15.7039	0.5415
2MMV9322HX	0.4617	6.2622	14.3121	16.6879	0.5383
2MMV9324HX	0.4596	5.9438	13.7892	16.2108	0.5404
2MMV9326HX	0.4580	5.7028	13.7386	16.2614	0.5422
2MMV9328HX	0.4605	6.0759	14.7371	17.2629	0.5395
2MMV9330HX	0.4532	5.1086	12.2351	14.7649	0.5468

⁽¹⁾ For inner ring rotation.

⁽²⁾ For outer ring rotation.

3MMV9300HX Series

FTF: Fundamental Train Frequency: the frequency at which the cage will operate.

BSF: Ball Spin Frequency: the frequency at which a single defect on a rolling element will be detected.

BPFO: Ball Pass Frequency Outer: the frequency at which a single defect in the outer race will be detected.

BPMI: Ball Pass Frequency Inner: the frequency at which a single defect in the inner race will be detected.

Part Number	FTF-Inner ⁽¹⁾	BSF	BPFO	BPMI	FTF-Outer ⁽²⁾
3MMV9300HX	0.4327	3.2987	5.6255	7.3745	0.5673
3MMV9301HX	0.4402	3.7257	6.1629	7.8371	0.5598
3MMV9302HX	0.4416	3.8167	7.0655	8.9345	0.5584
3MMV9303HX	0.4466	4.1812	7.5916	9.4084	0.5534
3MMV9304HX	0.4434	3.9383	7.5370	9.4630	0.5566
3MMV9305HX	0.4518	4.6459	9.0361	10.9639	0.5482
3MMV9306HX	0.4581	5.3516	10.5355	12.4645	0.5419
3MMV9307HX	0.4601	5.6336	11.5035	13.4965	0.5399
3MMV9308HX	0.4436	3.9647	8.4284	10.5716	0.5564
3MMV9309HX	0.4491	4.4028	9.4309	11.5691	0.5509
3MMV9310HX	0.4528	4.7605	10.4154	12.5846	0.5472
3MMV9311HX	0.4521	4.6810	10.3976	12.6024	0.5479
3MMV9312HX	0.4554	5.0340	11.3844	13.6156	0.5446
3MMV9313HX	0.4583	5.3866	12.3729	14.6271	0.5417
3MMV9314HX	0.4535	4.8255	10.8839	13.1161	0.5465
3MMV9315HX	0.4561	5.1141	11.4020	13.5980	0.5439
3MMV9316HX	0.4584	5.4026	12.3766	14.6234	0.5416
3MMV9317HX	0.4579	5.3425	11.9063	14.0937	0.5421
3MMV9318HX	0.4566	5.1697	11.8704	14.1296	0.5434
3MMV9319HX	0.4585	5.4137	12.8376	15.1624	0.5415
3MMV9320HX	0.4611	5.7794	13.3713	15.6287	0.5389
3MMV9322HX	0.4641	6.2667	14.3863	16.6137	0.5359
3MMV9324HX	0.4622	5.9486	13.8654	16.1346	0.5378
3MMV9326HX	0.4606	5.7077	13.8183	16.1817	0.5394
3MMV9328HX	0.4630	6.0805	14.8159	17.1841	0.5370
3MMV9330HX	0.4560	5.1141	12.3132	14.6868	0.5440

⁽¹⁾ For inner ring rotation.

⁽²⁾ For outer ring rotation.

2MM9100WI Series

FTF: Fundamental Train Frequency: the frequency at which the cage will operate.

BPFO: Ball Pass Frequency Outer: the frequency at which a single defect in the outer race will be detected.

BSF: Ball Spin Frequency: the frequency at which a single defect on a rolling element will be detected.

BPFI: Ball Pass Frequency Inner: the frequency at which a single defect in the inner race will be detected.

Bearing Number	FTF-Inner ⁽¹⁾	BSF	BPFO	BPFI	FTF-Outer ⁽²⁾
2MM9100WI	0.3740	1.7697	2.9924	5.0076	0.6260
2MM9101WI	0.3902	2.0621	3.9015	6.0985	0.6098
2MM9102WI	0.4035	2.3754	4.8424	7.1576	0.5965
2MM9103WI	0.4126	2.6411	4.5390	6.4610	0.5874
2MM9104WI	0.4013	2.3458	4.4140	6.5860	0.5987
2MM9105WI	0.4150	2.7526	5.3947	7.6053	0.5850
2MM9106WI	0.4201	2.9387	5.8807	8.1193	0.5799
2MM9107WI	0.4210	2.9789	6.3157	8.6843	0.5790
2MM9108WI	0.4291	3.3332	6.8655	9.1345	0.5709
2MM9109WI	0.4298	3.3682	7.3063	9.6937	0.5702
2MM9110WI	0.4352	3.6596	7.8332	10.1668	0.5648
2MM9111WI	0.4314	3.4469	7.7648	10.2352	0.5686
2MM9112WI	0.4358	3.6934	8.2803	10.7197	0.5642
2MM9113WI	0.4397	3.9394	8.7939	11.2061	0.5603
2MM9114WI	0.4362	3.7179	8.2875	10.7125	0.5638
2MM9115WI	0.4395	3.9312	8.7908	11.2092	0.5605
2MM9116WI	0.4365	3.7369	8.7306	11.2694	0.5635
2MM9117WI	0.4396	3.9332	9.2317	11.7683	0.5604
2MM9118WI	0.4367	3.7517	8.7350	11.2650	0.5633
2MM9119WI	0.4394	3.9200	9.2271	11.7729	0.5606
2MM9120WI	0.4418	4.0881	9.7198	12.2802	0.5582
2MM9121WI	0.4393	3.9167	9.2256	11.7744	0.5607
2MM9122WI	0.4399	3.9507	9.6778	12.3222	0.5601
2MM9124WI	0.4439	4.2417	10.2102	12.7898	0.5561
2MM9126WI	0.4397	3.9394	9.2336	11.7664	0.5603
2MM9128WI	0.4431	4.1850	9.7491	12.2509	0.5569
2MM9130WI	0.4428	4.1640	9.7426	12.2574	0.5572
2MM9132WI	0.4426	4.1450	9.7367	12.2633	0.5574
2MM9134WI	0.4394	3.9247	9.6660	12.3340	0.5606
2MM9136WI	0.4367	3.7516	8.7339	11.2661	0.5633
2MM9140WI	0.4369	3.7645	8.7378	11.2622	0.5631

⁽¹⁾ For inner ring rotation.

⁽²⁾ For outer ring rotation.

3MM9100WI Series

FTF: Fundamental Train Frequency: the frequency at which the cage will operate.

BSF: Ball Spin Frequency: the frequency at which a single defect on a rolling element will be detected.

BPFO: Ball Pass Frequency Outer: the frequency at which a single defect in the outer race will be detected.

BPFI: Ball Pass Frequency Inner: the frequency at which a single defect in the inner race will be detected.

Bearing Number	FTF-Inner ⁽¹⁾	BSF	BPFO	BPFI	FTF-Outer ⁽²⁾
3MM9100WI	0.3740	1.7697	2.9924	5.0076	0.6260
3MM9101WI	0.3957	2.0724	3.9569	6.0431	0.6043
3MM9102WI	0.4084	2.3844	4.4924	6.5076	0.5916
3MM9103WI	0.4170	2.6493	4.5875	6.4125	0.5830
3MM9104WI	0.4074	2.3573	4.4816	6.5184	0.5926
3MM9105WI	0.4203	2.7625	5.4635	7.5365	0.5797
3MM9106WI	0.4243	2.9475	5.9467	8.0533	0.5752
3MM9107WI	0.4258	2.9877	6.3864	8.6136	0.5742
3MM9108WI	0.4333	3.3411	6.9332	9.0668	0.5667
3MM9109WI	0.4340	3.3761	7.3782	9.6218	0.5660
3MM9110WI	0.4391	3.6669	7.9036	10.0964	0.5609
3MM9111WI	0.4354	3.4544	7.8373	10.1627	0.5646
3MM9112WI	0.4396	3.7005	8.3519	10.6481	0.5604
3MM9113WI	0.4432	3.9461	8.8647	11.1353	0.5568
3MM9114WI	0.4400	3.7251	8.3599	10.6401	0.5600
3MM9115WI	0.4432	3.9379	8.8630	11.1370	0.5568
3MM9116WI	0.4404	3.7441	8.8074	11.1926	0.5596
3MM9117WI	0.4433	3.9400	9.3085	11.6915	0.5567
3MM9118WI	0.4405	3.7587	8.8101	11.1899	0.5595
3MM9119WI	0.4430	3.9267	9.3026	11.6974	0.5570
3MM9120WI	0.4453	4.0945	9.7958	12.2042	0.5547
3MM9121WI	0.4430	3.9235	9.3021	11.6979	0.5570
3MM9122WI	0.4434	3.9573	9.7557	12.2443	0.5566
3MM9124WI	0.4472	4.2479	10.2861	12.7139	0.5528
3MM9126WI	0.4433	3.9462	9.3096	11.6904	0.5567
3MM9128WI	0.4466	4.1914	9.8241	12.1759	0.5534
3MM9130WI	0.4463	4.1705	9.8186	12.1814	0.5537
3MM9132WI	0.4461	4.1515	9.8135	12.1865	0.5539
3MM9134WI	0.4431	3.9318	9.7492	12.2508	0.5569
3MM9136WI	0.4406	3.7588	8.8114	11.1886	0.5594
3MM9140WI	0.4408	3.7719	8.8164	11.1836	0.5592

⁽¹⁾ For inner ring rotation.

⁽²⁾ For outer ring rotation.

2MMV9100HX Series

FTF: Fundamental Train Frequency: the frequency at which the cage will operate.

BPFO: Ball Pass Frequency Outer: the frequency at which a single defect in the outer race will be detected.

BSF: Ball Spin Frequency: the frequency at which a single defect on a rolling element will be detected.

BPFI: Ball Pass Frequency Inner: the frequency at which a single defect in the inner race will be detected.

Bearing Number	FTF-Inner ⁽¹⁾	BSF	BPFO	BPFI	FTF-Outer ⁽²⁾
2MMV9100HX	0.3834	1.9496	3.8344	6.1656	0.6166
2MMV9101HX	0.3852	1.9890	3.8517	6.1483	0.6148
2MMV9102HX	0.4023	2.3729	4.8273	7.1727	0.5977
2MMV9103HX	0.3969	2.2403	4.7634	7.2366	0.6031
2MMV9104HX	0.4012	2.3457	4.8147	7.1853	0.5988
2MMV9105HX	0.4043	2.4274	5.2560	7.7440	0.5957
2MMV9106HX	0.4099	2.5903	5.3292	7.6708	0.5901
2MMV9107HX	0.4211	2.9789	6.3162	8.6838	0.5789
2MMV9108HX	0.4291	3.3332	6.8659	9.1341	0.5709
2MMV9109HX	0.4234	3.0758	6.3517	8.6483	0.5766
2MMV9110HX	0.4293	3.3440	6.8694	9.1306	0.5707
2MMV9111HX	0.4472	4.5160	10.7329	13.2671	0.5528
2MMV9112HX	0.4506	4.8343	11.2653	13.7347	0.5494
2MMV9113HX	0.4490	4.6751	11.2241	13.7759	0.5510
2MMV9114HX	0.4490	4.6752	11.2241	13.7759	0.5510
2MMV9115HX	0.4517	4.9403	11.7429	14.2571	0.5483
2MMV9116HX	0.4477	4.5613	11.1913	13.8087	0.5523
2MMV9117HX	0.4502	4.7888	11.7039	14.2961	0.5498
2MMV9118HX	0.4534	5.1295	12.6953	15.3047	0.5466
2MMV9119HX	0.4490	4.6752	11.6731	14.3269	0.5510
2MMV9120HX	0.4510	4.8740	12.1772	14.8228	0.5490
2MMV9121HX	0.4538	5.1719	12.7058	15.2942	0.5462
2MMV9122HX	0.4563	5.4696	13.6877	16.3123	0.5437
2MMV9124HX	0.4542	5.2052	13.1707	15.8293	0.5458

⁽¹⁾ For inner ring rotation.

⁽²⁾ For outer ring rotation.

3MMV9100HX Series

FTF: Fundamental Train Frequency: the frequency at which the cage will operate.

BSF: Ball Spin Frequency: the frequency at which a single defect on a rolling element will be detected.

BPF0: Ball Pass Frequency Outer: the frequency at which a single defect in the outer race will be detected.

BPFI: Ball Pass Frequency Inner: the frequency at which a single defect in the inner race will be detected.

Part Number	FTF-inner ⁽¹⁾	BSF	BPF0	BPFI	FTF-Outer ⁽²⁾
3MMV9100HX	0.4003	2.1778	4.0035	5.9965	0.5997
3MMV9101HX	0.3922	2.0022	3.9223	6.0777	0.6078
3MMV9102HX	0.4083	2.3842	4.8993	7.1007	0.5917
3MMV9103HX	0.4032	2.2519	4.8383	7.1617	0.5968
3MMV9104HX	0.4071	2.3568	4.8857	7.1143	0.5929
3MMV9105HX	0.4202	2.7625	5.4630	7.5370	0.5798
3MMV9106HX	0.4250	2.9479	5.9495	8.0505	0.5750
3MMV9107HX	0.4259	2.9879	6.3882	8.6118	0.5741
3MMV9108HX	0.4334	3.3413	6.9349	9.0651	0.5666
3MMV9109HX	0.4280	3.0844	6.4205	8.5795	0.5720
3MMV9110HX	0.4336	3.3519	6.9371	9.0629	0.5664
3MMV9111HX	0.4504	4.5220	10.8100	13.1900	0.5496
3MMV9112HX	0.4536	4.8399	11.3404	13.6596	0.5464
3MMV9113HX	0.4520	4.6809	11.3011	13.6989	0.5480
3MMV9114HX	0.4521	4.6810	11.3025	13.6975	0.5479
3MMV9115HX	0.4545	4.9457	11.8182	14.1818	0.5455
3MMV9116HX	0.4509	4.5674	11.2722	13.7278	0.5491
3MMV9117HX	0.4532	4.7945	11.7824	14.2176	0.5468
3MMV9118HX	0.4562	5.1347	12.7743	15.2257	0.5438
3MMV9119HX	0.4521	4.6810	11.7541	14.2459	0.5479
3MMV9120HX	0.4540	4.8796	12.2580	14.7420	0.5460
3MMV9121HX	0.4566	5.1772	12.7848	15.2152	0.5434
3MMV9122HX	0.4589	5.4746	13.7678	16.2322	0.5411
3MMV9124HX	0.4568	5.2102	13.2485	15.7515	0.5432

⁽¹⁾ For inner ring rotation.

⁽²⁾ For outer ring rotation.

2MMV99100WN Series

FTF: Fundamental Train Frequency: the frequency at which the cage will operate.

BPFO: Ball Pass Frequency Outer: the frequency at which a single defect in the outer race will be detected.

BSF: Ball Spin Frequency: the frequency at which a single defect on a rolling element will be detected.

BPFI: Ball Pass Frequency Inner: the frequency at which a single defect in the inner race will be detected.

Bearing Number	FTF-Inner ⁽¹⁾	BSF	BPFO	BPFI	FTF-Outer ⁽²⁾
2MMV99101WN	0.3887	2.0593	3.4985	5.5015	0.6113
2MMV99102WN	0.4023	2.3729	4.4250	6.5750	0.5977
2MMV99103WN	0.4115	2.6389	5.3494	7.6506	0.5885
2MMV99104WN	0.4011	2.3455	4.4120	6.5880	0.5989
2MMV99105WN	0.4148	2.7523	5.3928	7.6072	0.5852
2MMV99106WN	0.4288	3.3241	6.8615	9.1385	0.5712
2MMV99107WN	0.4448	4.3111	9.3403	11.6597	0.5552
2MMV99108WN	0.4512	4.8947	10.8295	13.1705	0.5488
2MMV99109WN	0.4489	4.6750	10.3246	12.6754	0.5511
2MMV99110WN	0.4528	5.0724	11.3207	13.6793	0.5472
2MMV99111WN	0.4525	5.0285	11.3121	13.6879	0.5475
2MMV99112WN	0.4556	5.3815	11.8443	14.1557	0.5444
2MMV99113WN	0.4582	5.7340	12.8308	15.1692	0.5418
2MMV99114WN	0.4575	5.6283	12.8104	15.1896	0.5425
2MMV99115WN	0.4602	6.0120	13.8057	16.1943	0.5398
2MMV99116WN	0.4589	5.8300	13.3085	15.6915	0.5411
2MMV99117WN	0.4610	6.1310	14.2906	16.7094	0.5390
2MMV99118WN	0.4568	5.5308	12.7902	15.2098	0.5432
2MMV99119WN	0.4586	5.7748	13.2992	15.7008	0.5414
2MMV99120WN	0.4606	6.0708	14.2782	16.7218	0.5394
2MMV99121WN	0.4596	5.9229	13.7892	16.2108	0.5404
2MMV99122WN	0.4591	5.8399	13.7729	16.2271	0.5409
2MMV99124WN	0.4618	6.2625	14.7784	17.2216	0.5382
2MMV99126WN	0.4610	6.1362	14.7512	17.2488	0.5390
2MMV99128WN	0.4633	6.5243	15.7513	18.2487	0.5367
2MMV99130WN	0.4616	6.2346	15.2336	17.7664	0.5384

⁽¹⁾ For inner ring rotation.

⁽²⁾ For outer ring rotation.

3MMV99100WN Series

FTF: Fundamental Train Frequency: the frequency at which the cage will operate.

BPFO: Ball Pass Frequency Outer: the frequency at which a single defect in the outer race will be detected.

BSF: Ball Spin Frequency: the frequency at which a single defect on a rolling element will be detected.

BPFI: Ball Pass Frequency Inner: the frequency at which a single defect in the inner race will be detected.

Bearing Number	FTF-inner ⁽¹⁾	BSF	BPFO	BPFI	FTF-Outer ⁽²⁾
3MMV99101WN	0.3956	2.0721	3.5600	5.4400	0.6044
3MMV99102WN	0.4083	2.3842	4.4911	6.5089	0.5917
3MMV99103WN	0.4169	2.6491	5.4201	7.5799	0.5831
3MMV99104WN	0.4075	2.3575	4.4829	6.5171	0.5925
3MMV99105WN	0.4204	2.7627	5.4648	7.5352	0.5796
3MMV99106WN	0.4335	3.3327	6.9356	9.0644	0.5665
3MMV99107WN	0.4483	4.3177	9.4149	11.5851	0.5517
3MMV99108WN	0.4544	4.9006	10.9048	13.0952	0.5456
3MMV99109WN	0.4522	4.6813	10.4011	12.5989	0.5478
3MMV99110WN	0.4559	5.0782	11.3974	13.6026	0.5441
3MMV99111WN	0.4555	5.0341	11.3872	13.6128	0.5445
3MMV99112WN	0.4584	5.3867	11.9173	14.0827	0.5416
3MMV99113WN	0.4609	5.7389	12.9047	15.0953	0.5391
3MMV99114WN	0.4601	5.6332	12.8838	15.1162	0.5399
3MMV99115WN	0.4626	6.0166	13.8794	16.1206	0.5374
3MMV99116WN	0.4615	5.8348	13.3829	15.6171	0.5385
3MMV99117WN	0.4634	6.1356	14.3663	16.6337	0.5366
3MMV99118WN	0.4594	5.5357	12.8631	15.1369	0.5406
3MMV99119WN	0.4611	5.7794	13.3715	15.6285	0.5389
3MMV99120WN	0.4630	6.0753	14.3518	16.6482	0.5370
3MMV99121WN	0.4620	5.9273	13.8611	16.1389	0.5380
3MMV99122WN	0.4615	5.8444	13.8448	16.1552	0.5385
3MMV99124WN	0.4641	6.2667	14.8500	17.1500	0.5359
3MMV99126WN	0.4633	6.1406	14.8262	17.1738	0.5367
3MMV99128WN	0.4655	6.5284	15.8262	18.1738	0.5345
3MMV99130WN	0.4639	6.2388	15.3080	17.6920	0.5361

⁽¹⁾ For inner ring rotation.

⁽²⁾ For outer ring rotation.

D

2MM200WI Series

FTF: Fundamental Train Frequency: the frequency at which the cage will operate.

BPFO: Ball Pass Frequency Outer: the frequency at which a single defect in the outer race will be detected.

BSF: Ball Spin Frequency: the frequency at which a single defect on a rolling element will be detected.

BPFI: Ball Pass Frequency Inner: the frequency at which a single defect in the inner race will be detected.

Bearing Number	FTF-Inner ⁽¹⁾	BSF	BPFO	BPFI	FTF-Outer ⁽²⁾
2MM200WI	0.3668	1.6722	2.9345	5.0655	0.6332
2MM201WI	0.3699	1.7226	3.3290	5.6710	0.6301
2MM202WI	0.3855	1.9898	3.8552	6.1448	0.6145
2MM203WI	0.3861	2.0025	3.8609	6.1391	0.6139
2MM204WI	0.3857	2.0000	3.8570	6.1430	0.6143
2MM205WI	0.4008	2.3347	4.8091	7.1909	0.5992
2MM206WI	0.4001	2.3182	4.8007	7.1993	0.5999
2MM207WI	0.3997	2.3104	4.7965	7.2035	0.6003
2MM208WI	0.3980	2.2638	4.3777	6.6223	0.6020
2MM209WI	0.4058	2.4683	5.2757	7.7243	0.5942
2MM210WI	0.4126	2.6716	5.7757	8.2243	0.5874
2MM211WI	0.4110	2.6263	5.7543	8.2457	0.5890
2MM212WI	0.4098	2.5901	5.7376	8.2624	0.5902
2MM213WI	0.4130	2.6906	5.7818	8.2182	0.5870
2MM214WI	0.4135	2.7082	5.7891	8.2109	0.5865
2MM215WI	0.4177	2.8554	6.2659	8.7341	0.5823
2MM216WI	0.4164	2.8064	6.2462	8.7538	0.5836
2MM217WI	0.4152	2.7649	6.2281	8.7719	0.5848
2MM218WI	0.4142	2.7301	5.7984	8.2016	0.5858
2MM219WI	0.4132	2.6992	5.7853	8.2147	0.5868
2MM220WI	0.4125	2.6714	5.7744	8.2256	0.5875
2MM222WI	0.4110	2.6263	5.7543	8.2457	0.5890
2MM224WI	0.4131	2.6927	5.7830	8.2170	0.5869
2MM226WI	0.4192	2.9059	7.1260	9.8740	0.5808
2MM230WI	0.4124	2.6714	6.1865	8.8135	0.5876

⁽¹⁾ For inner ring rotation.

⁽²⁾ For outer ring rotation.

3MM200WI Series

FTF: Fundamental Train Frequency: the frequency at which the cage will operate.

BPFO: Ball Pass Frequency Outer: the frequency at which a single defect in the outer race will be detected.

BSF: Ball Spin Frequency: the frequency at which a single defect on a rolling element will be detected.

BPFI: Ball Pass Frequency Inner: the frequency at which a single defect in the inner race will be detected.

Bearing Number	FTF-Inner ⁽¹⁾	BSF	BPFO	BPFI	FTF-Outer ⁽²⁾
3MM200WI	0.3668	1.6722	2.9345	5.0655	0.6332
3MM201WI	0.3774	1.7366	3.3966	5.6034	0.6226
3MM202WI	0.3921	2.0021	3.9212	6.0788	0.6079
3MM203WI	0.3928	2.0150	3.9277	6.0723	0.6072
3MM204WI	0.3929	2.0134	3.9290	6.0710	0.6071
3MM205WI	0.4070	2.3463	4.8841	7.1159	0.5930
3MM206WI	0.4064	2.3301	4.8769	7.1231	0.5936
3MM207WI	0.4061	2.3224	4.8734	7.1266	0.5939
3MM208WI	0.4043	2.2757	4.4476	6.5524	0.5957
3MM209WI	0.4117	2.4793	5.3519	7.6481	0.5883
3MM210WI	0.4180	2.6818	5.8519	8.1481	0.5820
3MM211WI	0.4166	2.6367	5.8323	8.1677	0.5834
3MM212WI	0.4155	2.6007	5.8171	8.1829	0.5845
3MM213WI	0.4185	2.7009	5.8587	8.1413	0.5815
3MM214WI	0.4189	2.7182	5.8639	8.1361	0.5811
3MM215WI	0.4228	2.8649	6.3421	8.6579	0.5772
3MM216WI	0.4216	2.8162	6.3241	8.6759	0.5784
3MM217WI	.4205	2.7748	6.3076	8.6924	0.5795
3MM218WI	0.4196	2.7402	5.8738	8.1262	0.5804
3MM219WI	0.4187	2.7094	5.8618	8.1382	0.5813
3MM220WI	0.4179	2.6816	5.8506	8.1494	0.5821
3MM222WI	0.4166	2.6367	5.8323	8.1677	0.5834
3MM224WI	0.4184	2.7026	5.8573	8.1427	0.5816
3MM226WI	0.4241	2.9151	7.2100	9.7900	0.5759
3MM230WI	0.4179	2.6815	6.2681	8.7319	0.5821

⁽¹⁾ For inner ring rotation.

⁽²⁾ For outer ring rotation.

D

2MM300WI Series

FTF: Fundamental Train Frequency: the frequency at which the cage will operate.

BPFO: Ball Pass Frequency Outer: the frequency at which a single defect in the outer race will be detected.

BSF: Ball Spin Frequency: the frequency at which a single defect on a rolling element will be detected.

BPFI: Ball Pass Frequency Inner: the frequency at which a single defect in the inner race will be detected.

Bearing Number	FTF-Inner ⁽¹⁾	BSF	BPFO	BPFI	FTF-Outer ⁽²⁾
2MM301WI	0.3594	1.5791	2.8751	5.1249	0.6406
2MM302WI	0.3861	2.0024	3.8609	6.1391	0.6139
2MM303WI	0.3564	1.5411	2.4946	4.5054	0.6436
2MM304WI	0.3618	1.6111	2.8941	5.1059	0.6382
2MM305WI	0.3681	1.6997	3.3127	5.6873	0.6319
2MM306WI	0.3722	1.7663	3.7221	6.2779	0.6278
2MM307WI	0.3799	1.8962	3.7990	6.2010	0.6201
2MM308WI	0.3801	1.9333	4.2025	6.7975	0.6180
2MM309WI	0.3837	1.9636	3.8373	6.1627	0.6163
2MM310WI	0.3851	1.9889	3.8510	6.1490	0.6149
2MM311WI	0.3861	2.0099	3.8606	6.1394	0.6139
2MM312WI	0.3870	2.0281	3.8704	6.1296	0.6130
2MM313WI	0.3879	2.0440	4.2665	6.7335	0.6121
2MM314WI	0.3884	2.0576	4.2729	6.7271	0.6116
2MM319WI	0.3857	2.0013	3.8570	6.1430	0.6143

⁽¹⁾ For inner ring rotation.

⁽²⁾ For outer ring rotation.

D

3MM300WI Series

FTF: Fundamental Train Frequency: the frequency at which the cage will operate.

BSF: Ball Spin Frequency: the frequency at which a single defect on a rolling element will be detected.

BPFO: Ball Pass Frequency Outer: the frequency at which a single defect in the outer race will be detected.

BPFI: Ball Pass Frequency Inner: the frequency at which a single defect in the inner race will be detected.

Bearing Number	FTF-Inner ⁽¹⁾	BSF	BPFO	BPFI	FTF-Outer ⁽²⁾
3MM301WI	0.3678	1.5949	2.9425	5.0575	0.6322
3MM302WI	0.3928	2.0149	3.9277	6.0723	0.6072
3MM303WI	0.3653	1.5578	2.5571	4.4429	0.6347
3MM304WI	0.3701	1.6268	2.9611	5.0389	0.6299
3MM305WI	0.3761	1.7147	3.3850	5.6150	0.6239
3MM306WI	0.3801	1.7811	3.8010	6.1990	0.6199
3MM307WI	0.3874	1.9101	3.8736	6.1264	0.6126
3MM308WI	0.3893	1.9469	4.2826	6.7174	0.6107
3MM309WI	0.3910	1.9772	3.9096	6.0904	0.6090
3MM310WI	0.3920	2.0019	3.9205	6.0795	0.6080
3MM311WI	0.3931	2.0231	3.9314	6.0686	0.6069
3MM312WI	0.3941	2.0412	3.9405	6.0595	0.6059
3MM313WI	0.3947	2.0567	4.3415	6.6585	0.6053
3MM314WI	0.3954	2.0705	4.3491	6.6509	0.6046
3MM319WI	0.3927	2.0144	3.9270	6.0730	0.6073

⁽¹⁾ For inner ring rotation.

⁽²⁾ For outer ring rotation.

PRECISION TAG DEVIATION AND RUNOUT CHARTS

TAPERED ROLLER BEARINGS

Bearing tag markings include indication of bearing accuracy, which can assist with selective assembly and installation. Refer to diagrams on page 107.

METRIC SYSTEM

Class	Designation no.	Deviation	
		mm Over Incl.	in. Over Incl.
All	-2	0.000 to -0.002	0.0000 to -0.0001
	-4	-0.002 to -0.004	-0.0001 to -0.0002
	-8	-0.004 to -0.008	-0.0002 to -0.0003
	-12	-0.008 to -0.012	-0.0003 to -0.0004
	-16	-0.012 to -0.016	-0.0004 to -0.0006
	-20	-0.016 to -0.020	-0.0006 to -0.0008
	-25	-0.020 to -0.025	-0.0008 to -0.0010
	-30	-0.025 to -0.030	-0.0010 to -0.0012
	-35	-0.030 to -0.035	-0.0012 to -0.0014
	-40	-0.035 to -0.040	-0.0014 to -0.0016
	-45	-0.040 to -0.045	-0.0016 to -0.0018
	-50	-0.045 to -0.050	-0.0018 to -0.0020
	-55	-0.050 to -0.055	-0.0020 to -0.0022
	-60	-0.055 to -0.060	-0.0022 to -0.0024
	-65	-0.060 to -0.065	-0.0024 to -0.0026
	-70	-0.065 to -0.070	-0.0026 to -0.0028
	-75	-0.070 to -0.075	-0.0028 to -0.0030
-80	-0.075 to -0.080	-0.0030 to -0.0031	

Class	Designation no.	Deviation	
		mm Over Incl.	in. Over Incl.
C & B	2	0.000 to 0.002	0.0000 to 0.0001
	4	0.002 to 0.004	0.0001 to 0.0002
	8	0.004 to 0.008	0.0002 to 0.0003
	12	0.008 to 0.012	0.0003 to 0.0004
	16	0.012 to 0.016	0.0004 to 0.0006
	20	0.016 to 0.020	0.0006 to 0.0008
	25	0.020 to 0.025	0.0008 to 0.0010
	30	0.025 to 0.030	0.0010 to 0.0012
	35	0.030 to 0.035	0.0012 to 0.0014
	40	0.035 to 0.040	0.0014 to 0.0016
	45	0.040 to 0.045	0.0016 to 0.0018
	50	0.045 to 0.050	0.0018 to 0.0020
	55	0.050 to 0.055	0.0020 to 0.0022
A	actual amount	0.0000 to 0.0019	0.00000 to 0.000075
AA	actual amount	0.0000 to 0.0010	0.00000 to 0.00004

D

INCH SYSTEM

Class	Designation no.	Deviation			
		mm		in.	
		Over	Incl.	Over	Incl.
All	+1	0.000 to 0.003		0.0000 to 0.0001	
	+2	0.003 to 0.005		0.0001 to 0.0002	
	+3	0.005 to 0.008		0.0002 to 0.0003	
	+4	0.008 to 0.010		0.0003 to 0.0004	
	+5	0.010 to 0.013		0.0004 to 0.0005	
	+6	0.013 to 0.015		0.0005 to 0.0006	
	+7	0.015 to 0.018		0.0006 to 0.0007	
	+8	0.018 to 0.020		0.0007 to 0.0008	
	+9	0.020 to 0.023		0.0008 to 0.0009	
	+10	0.023 to 0.025		0.0009 to 0.0010	
	+11	0.025 to 0.028		0.0010 to 0.0011	
	+12	0.028 to 0.030		0.0011 to 0.0012	
	+13	0.030 to 0.033		0.0012 to 0.0013	
	+14	0.033 to 0.036		0.0013 to 0.0014	
	+15	0.036 to 0.038		0.0014 to 0.0015	
	+16	0.038 to 0.041		0.0015 to 0.0016	
	+17	0.041 to 0.043		0.0016 to 0.0017	
	+18	0.043 to 0.046		0.0017 to 0.0018	
	+19	0.046 to 0.048		0.0018 to 0.0019	
	+20	0.048 to 0.051		0.0019 to 0.0020	
	+21	0.051 to 0.053		0.0020 to 0.0021	
	+22	0.053 to 0.056		0.0021 to 0.0022	
	+23	0.056 to 0.058		0.0022 to 0.0023	
	+24	0.058 to 0.061		0.0023 to 0.0024	
	+25	0.061 to 0.064		0.0024 to 0.0025	
	+26	0.064 to 0.066		0.0025 to 0.0026	
	+27	0.066 to 0.069		0.0026 to 0.0027	
	+28	0.069 to 0.071		0.0027 to 0.0028	
	+29	0.071 to 0.074		0.0028 to 0.0029	
	+30	0.074 to 0.076		0.0029 to 0.0030	

Class	Designation no.	Deviation			
		mm		in.	
		Over	Incl.	Over	Incl.
3 & 0	+1	0.000 to 0.003		0.0000 to 0.0001	
	+2	0.003 to 0.005		0.0001 to 0.0002	
	+3	0.005 to 0.008		0.0002 to 0.0003	
	+4	0.008 to 0.010		0.0003 to 0.0004	
	+5	0.010 to 0.013		0.0004 to 0.0005	
	+6	0.013 to 0.015		0.0005 to 0.0006	
	+7	0.015 to 0.018		0.0006 to 0.0007	
	+8	0.018 to 0.020		0.0007 to 0.0008	
	+9	0.020 to 0.023		0.0008 to 0.0009	
	+10	0.023 to 0.025		0.0009 to 0.0010	
	+11	0.025 to 0.028		0.0010 to 0.0011	
	+12	0.028 to 0.030		0.0011 to 0.0012	
	+13	0.030 to 0.033		0.0012 to 0.0013	
	+14	0.033 to 0.036		0.0013 to 0.0014	
	+15	0.036 to 0.038		0.0014 to 0.0015	
	+16	0.038 to 0.041		0.0015 to 0.0016	
	+17	0.041 to 0.043		0.0016 to 0.0017	
	+18	0.043 to 0.046		0.0017 to 0.0018	
	+19	0.046 to 0.048		0.0018 to 0.0019	
	+20	0.048 to 0.051		0.0019 to 0.0020	
	+21	0.051 to 0.053		0.0020 to 0.0021	
	+22	0.053 to 0.056		0.0021 to 0.0022	
	+23	0.056 to 0.058		0.0022 to 0.0023	
	+24	0.058 to 0.061		0.0023 to 0.0024	
	+25	0.061 to 0.064		0.0024 to 0.0025	
	+26	0.064 to 0.066		0.0025 to 0.0026	
	+27	0.066 to 0.069		0.0026 to 0.0027	
	+28	0.069 to 0.071		0.0027 to 0.0028	
	+29	0.071 to 0.074		0.0028 to 0.0029	
	+30	0.074 to 0.076		0.0029 to 0.0030	
00	Act. amt. in microinches	0.0000 to 0.0019		0.0000 to 0.000075	
000	Act. amt. in microinches	0.0000 to 0.0010		0.000000 to 0.000040	

GEOMETRY FACTORS

TAPERED ROLLER BEARINGS

The tables below list the C_g , G_1 , G_2 and K factors for tapered roller bearings covered in this catalog. These constants are used in heat generation estimates, influence of application operating speed, and other calculations relating to the bearing's internal geometry details.

Part number	C_g	G_1	G_2	K
JP6049-JP6010	0.0240	39.5	22.5	1.24
29585-29520	0.0303	70.3	25.8	1.27
JLM710949C-JLM710910	0.0273	55.5	24.5	1.29
399A-394A	0.0260	56.0	21.4	1.45
JP7049-JP7010	0.0264	51.1	31.0	1.27
29685-29620	0.0323	77.7	43.3	1.20
34301-34478	0.0297	69.3	27.0	1.30
JP8049-JP8010	0.0297	69.7	37.4	1.29
JM716649-JM716610	0.0371	117.1	38.4	1.31
497-493	0.0352	104.6	29.3	1.31
JP9049-JP9010	(Call)	83.8	46.1	1.18
LM718947-LM718910	0.0389	124.2	37.6	1.22
JP10044-JP10010	0.0357	104.0	40.9	1.24
JM719149-JM719113	0.0410	150.5	36.1	1.32
JP10049-JP10010	0.0357	104.0	40.9	1.24
52400-52618	0.0450	175.4	41.7	1.23
JM822049-JM822010	0.0474	191.5	45.8	1.18
JLM722948-JLM722912	0.0424	161.0	57.2	1.27
68462-68712	0.0274	163.1	51.7	1.18
JL724348-JL724314	0.0432	170.2	70.6	1.27
JL725346-JL725316	0.0455	186.6	77.7	1.23
JP13049-JP13010	0.0287	192.2	60.3	1.24
JP14049-JP14010	0.0311	219.5	68.2	1.16
36690-36620	0.0544	366.1	152.0	1.59
JL730646-JL730612	0.0542	295.2	104.0	1.27
JP16049-JP16010	0.0346	294.4	123.0	1.20
JP17049-JP17010	0.0266	339.3	147.0	1.27
36990-36920	0.0418	514.8	241.0	1.33
JP18049-JP18010	(Call)	369.2	162.0	1.21
JM736149-JM736110	0.0343	589.4	128.0	1.22
87750-87111	0.0318	574.6	131.0	1.41
67985-67920	0.0401	819.5	172.0	1.15
543085-543114	0.0311	608.5	232.0	1.52

Table 23. TS style.

Part Number	C_g	G_1	G_2	K
2984-2924-B	0.0832	38.2	15.7	1.69
JP6049-JP6010-B	0.0240	39.5	22.5	1.24
3984-3920-B	0.1092	75.2	21.3	1.45
482-472-B	0.1083	77.2	23.0	1.61
566-563-B	0.1167	101.0	24.0	1.61
JP7049-JP7010-B	0.0264	51.1	31.0	1.27
33287-33462-B	0.1162	84.2	24.4	1.34
27690-27620-B	0.1198	98.2	41.8	1.40
42350-42587-B	0.1386	130.0	37.2	1.19
JP8049-JP8010-B	0.0297	69.7	37.4	1.29
JP9049-JB9010-B	(Call)	83.8	46.1	1.18
JP10044-JP10010-B	0.0357	104.0	40.9	1.24
683-672-B	0.1056	182.0	37.2	1.24
JP10049-JP10010-B	0.0357	104.0	40.9	1.24
687-672-B	0.1056	182.0	37.2	1.24
71450-71750-B	0.1156	269.0	45.7	1.40
JP13049-JP13010-B	0.0287	192.2	60.3	1.24
JP14049-JP14010-B	0.0311	219.5	68.2	1.16
JL730646-JL730612-B	0.0542	295.2	104.0	1.27

Table 24. TSF style.

GEOMETRY FACTORS – *continued*

Part number	K
XR496051	0.48
JXR637050	0.45
JXR678054	0.47
JXR652050	0.46
XR678052	0.47
JXR699050	0.45
XR766051	0.45
XR820060	0.46
XR855053	0.45
XR882055	0.44
XR882054	0.44
XR889058	0.44
XR897051	0.43

Table 25. Crossed roller style.

Part number	G ₁	G ₂	K
JP5049P-JP5019HR	32.5	6.4	1.65
JP5049P-JP5020HR	32.5	6.4	1.65
JP5049PH-JP5017HR	32.5	6.4	1.65
JP5049PH-JP5020HR	32.5	6.4	1.65
JP7548P-JP7520HR	60.5	23.3	1.52
JP7549P-JP7519HR	60.5	23.3	1.52
JP8548-JP8518HR	86.4	15.7	1.56
JP8549P-JP8519HR	86.4	15.7	1.56
JP10048-JP10019HR	106.0	45.5	1.24
JP10048-JP10019HRA	106.0	45.5	1.24
JP11035-JP11019HR	140.4	56.1	1.63
JP11048-JP11019HR	140.4	56.1	1.63
JP12043P-JP12019HR	172.0	34.6	1.50
JP12049P-JP12019HR	172.0	34.6	1.50
JP13043P-JP13016HR	212.0	39.0	1.50
JP13049P-JP13016HR	212.0	39.0	1.50
JP14043P-JP14019HR	235.0	44.8	1.40
JP14049P-JP14019HR	235.0	44.8	1.40
JP16043P-JP16019HR	319.0	58.9	1.44
JP16049P-JP16019HR	319.0	58.9	1.44
JP17049P-JP17019HR	365.4	62.9	1.50
JP18049P-JP18019HR	397.8	70.2	1.42
JP20049P-JP20019HR	479.5	140.8	1.46
JP22049E-JP22019HR	588.1	184.9	1.33
JL555235-JL55512HR	1305.0	393.0	1.64
JL555239-JL55512HR	1305.0	393.0	1.64

Table 26. Hydra-Rib style.

RADIAL INTERNAL CLEARANCE

BALL BEARINGS

Deep groove radial type bearings may be matched to various radial internal clearances to meet specific design and performance requirements. The following chart lists the clearance options available.

Deep groove bearings ordered without a prefix for clearance specification will be supplied with a "P" fit (ISO C3) as standard.

Values shown in micrometers (μm) and ten-thousandths inches (0.0001 in.).

Bore no.	"H" fit snug (C2)		"R" fit regular (C0)		"P" fit loose (C3)-standard		"J" fit extra-loose (C4)	
	μm	0.0000 in.	μm	0.0000 in.	μm	0.0000 in.	μm	0.0000 in.
00	3-8	1-3	5-13	2-5	10-20	4-8	18-25	7-10
01	3-10	1-4	5-15	2-6	13-23	5-9	20-30	8-12
02	3-10	1-4	5-15	2-6	13-23	5-9	20-30	8-12
03	3-10	1-4	5-15	2-6	13-23	5-9	20-30	8-12
04	3-10	1-4	8-18	3-7	15-25	6-10	23-33	9-13
05	3-10	1-4	8-18	3-7	15-25	6-10	25-38	10-15
06	3-10	1-4	8-18	3-7	15-25	6-10	25-38	10-15
07	3-10	1-4	8-18	3-7	18-30	7-12	30-43	12-17
08	3-10	1-4	8-18	3-7	18-30	7-12	30-43	12-17
09	3-10	1-4	8-20	3-8	20-33	8-13	33-48	13-19
10	3-10	1-4	8-20	3-8	20-33	8-13	33-48	13-19
11	3-13	1-5	10-25	4-10	25-40	10-16	40-58	16-23
12	3-13	1-5	10-25	4-10	25-40	10-16	40-58	16-23
13	3-13	1-5	10-25	4-10	25-40	10-16	40-58	16-23
14	3-13	1-5	10-25	5-11	28-48	11-19	48-68	19-27
15	3-13	1-5	13-28	5-11	28-48	11-19	48-68	19-27
16	3-13	1-5	13-28	5-11	28-48	11-19	48-68	19-27
17-20	3-15	1-6	13-28	5-13	33-55	13-22	55-80	22-32
21-24	3-15	1-6	18-38	7-15	38-63	15-25	63-93	25-37
25-28	5-20	2-8	20-45	8-18	43-79	17-31	74-127	29-50

BEARING SPACERS

Spacers are used to increase shaft rigidity, moment stiffness and decrease deflection. Spacers, mounted between units of a pair of bearings, are preferably made of alloy steel, hardened and ground, and should be sturdy in cross section and equal in length. Equal lengths can be produced by grinding the inner-ring spacer and outer-ring spacer together. It is important that the faces of the spacers be square and that their parallelism be the best possible. All corners should be broken to remove sharp edges and burrs.

The inside diameter of the inner-ring spacers should clear the shaft, but not be so loose as to make it possible to mount and run them eccentrically. For short spacers and high operating speeds, clearance of not more than 0.025 mm (0.0010 in.) over the maximum

shaft diameter has been found generally acceptable. For long spacers and low speeds, this clearance may be increased to prevent the shaft from disturbing the face parallelism of the spacer. The spacer outside diameter should match the shaft shoulder diameter of the bearing.

The outside diameter of the outer-ring spacers should be about 0.025 mm (0.0010 in.) smaller than the minimum bore of the housing. These should have lubricant holes and grooves where necessary and are usually centrally located.

Spacer end parallelism should be the same as the parallelism tolerance for the adjacent bearing.

BEARING LOCKNUTS

To position precision bearings on spindle shafts, precision manufactured self-locking bearing locknuts are suggested rather than the conventional locknuts and lockwashers used for bearings made to ABEC 1/ISO P0 standard class tolerances.

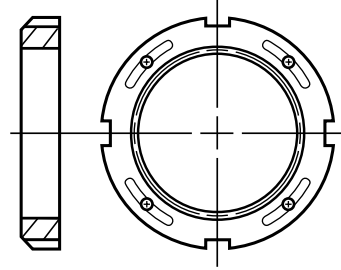
This precision bearing nut incorporates a locking feature in its design. The nut threads deform slightly as the locking setscrews are tightened. This slight deformation creates an interference with the shaft threads which prevents further rotation of the locknut. The precision threads of this locknut are cut square with the face to provide the necessary true-running clamping surface against the inner-ring face of the bearings.

LOCKNUT TORQUE⁽¹⁾

BALL BEARINGS

General guidelines for locknut torques are shown in the table below for dry thread engagement. Bearing locknuts are to be tightened using a torque wrench and a two-point locknut wrench or other suitable torque wrench adapter.

Reference MIL-B-17931



D

Bearing bore mm	Locknut torque ⁽¹⁾		Approximate clamping force	
	N/m	ft.-lb.	kN	lb.
10	14-27	10-20	7.2-14.4	1620-3240
12	14-27	10-20	5.9-11.9	1340-2680
15	14-27	10-20	4.8-9.5	1070-2140
17	14-27	10-20	4.1-8.3	940-1880
20	16-47	12-35	4.2-12.3	950-2770
25	31-68	23-50	6.4-14.1	1450-3170
30	43-81	32-60	7.5-14.1	1690-3710
35	53-95	39-70	7.8-14.0	1750-3140
40	68-108	50-80	8.7-14.0	1970-3140
45	87-122	64-90	9.9-13.9	2220-3120
50	91-136	67-100	9.3-13.9	2090-3120
55	111-169	82-125	10.4-15.7	2330-3540
60	134-203	99-150	11.4-17.3	2560-3880
65	178-237	131-175	13.9-18.6	3130-4190
70	206-271	152-200	14.9-19.7	3360-4430
75	235-339	173-250	16.0-23.2	3610-5220
80	267-373	197-275	17.0-23.8	3840-5350
85	301-441	222-325	18.0-26.4	4060-5940
90	336-508	248-375	19.0-28.8	4280-6480
95	376-576	277-425	20.1-30.9	4520-6950
100	468-644	345-475	23.8-32.8	5360-7380
105	515-746	380-550	25.0-36.1	5620-8120
110	515-746	380-550	23.7-34.4	5340-7740
120	515-746	380-550	21.8-31.5	4900-7080
130	515-746	380-550	20.0-29.1	4510-6540
140	515-746	380-550	18.6-27.0	4190-6070
150	515-746	380-550	17.4-25.2	3910-5660
160	515-746	380-550	16.4-23.7	3680-5330

⁽¹⁾ Spindle bearings only. Contact Timken Engineering for use with tapered roller bearings. Valid in all preloaded bearing mounting arrangements.

LUBRICATION SPECIFICATIONS

BALL BEARINGS

Timken suggests and provides the following lubricants and rust preservatives with their bearings. Equivalents may be substituted.

Note: Rust preservatives are only for temporary storage of the bearings prior to installation.

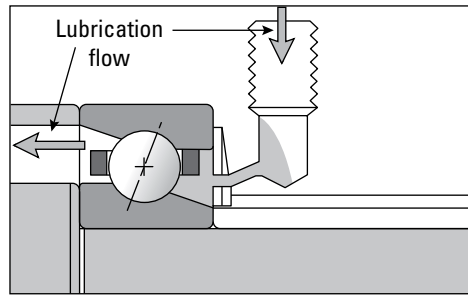
Quantity of Grease

- 25 percent to 40 percent pack for low to moderate speed (< 500000 dN).
- 15 percent to 20 percent pack for high speed (≥ 500000 dN).

Lubrication code	Lubrication	FS specification
160	Aeroshell 22	FS381B-P
436	Anticorit L-245XBF	FS890
078 ⁽¹⁾	Chevron SRI	FE545
037	Dow Corning 44	FS137A
125	Ferrocote 5856 BF	FS639
162 ⁽¹⁾	Isoflex NBU 15	FS637
443 ⁽¹⁾	Isoflex NCA 15	FS905
422	Isoflex SuperLDS18	FS735
115	Isoflex Topas NB52	FS737
149	Isoflex Topas NCA52	FS883
076	Krytox 240AB	FS452
161	Krytox 240AC	FS433
—	Lubcon L252	FS915
086 ⁽¹⁾	Mobil 28	FS381A
456	Mobilith SHC15	FS919
095	Mobiltemp SHC 32	FS612
167	Windsor Lube L101	FS179A
052	Unirex N3	FS118 or FS743
457	Thermoplex 2MTL	FS920
477	Kluberspeed BF72-22	FS934
176	Polyrex EM	FS615
150	Asonic GLY32	FS889
801	Petamo GHY133N	—

⁽¹⁾ Common suggestions for spindle grease.

LUBRICATION SPECIFICATIONS – continued



Example of lubrication inlet location and direction of lubrication flow.

Bore No.	9300	9300HX	9100	9100HX	99100	200	300
	mm in.	mm in.	mm in.	mm in.	mm in.	mm in.	mm in.
0	—	15.037 0.592	15.977 0.6290	—	—	17.653 0.6950	—
1	—	17.043 0.6710	18.288 0.7200	—	—	19.456 0.7660	21.641 0.8520
2	19.910 0.7839	20.391 0.8028	21.565 0.8490	—	—	22.479 0.8850	25.705 1.0120
3	21.920 0.8629	22.377 0.8810	23.927 0.9420	—	23.800 0.9370	27.991 1.1020	27.711 1.0910
4	26.563 1.0458	27.254 1.0730	28.448 1.1200	28.296 1.1140	28.143 1.1080	30.201 1.1890	31.313 1.2328
5	30.716 1.2093	32.233 1.2690	33.325 1.3120	33.172 1.3060	33.147 1.3050	35.408 1.3940	38.705 1.5238
6	36.558 1.4393	37.246 1.4660	39.853 1.5690	39.345 1.5490	40.526 1.5955	42.189 1.6610	45.486 1.7908
7	42.743 1.6828	43.599 1.7165	45.314 1.7840	45.339 1.7850	46.177 1.8180	49.047 1.9310	51.722 2.0363
8	48.420 1.9063	48.763 1.9198	50.681 1.9953	50.825 2.0010	52.413 2.0635	54.915 2.1620	58.592 2.3043
9	51.582 2.0308	54.267 2.1365	56.510 2.2248	56.185 2.2120	57.137 2.2495	59.920 2.3590	65.451 2.5768
10	58.415 2.2998	58.783 2.3143	61.514 2.4218	61.163 2.4080	62.141 2.4465	64.897 2.5550	72.321 2.8473
11	64.562 2.5418	64.981 2.5583	68.372 2.6918	69.342 2.7300	69.300 2.7283	71.780 2.8260	79.179 3.1173
12	69.553 2.7383	70.010 2.7563	73.376 2.8888	74.320 2.9260	74.315 2.9258	78.638 3.0960	85.974 3.3848
13	74.582 2.9363	75.001 2.9528	78.379 3.0858	79.019 3.1110	79.294 3.1218	85.827 3.3790	92.895 3.6573
14	81.453 3.2068	81.496 3.2085	85.237 3.3558	86.182 3.3930	86.444 3.4033	90.530 3.5640	99.741 3.9268

Bore No.	9300	9300HX	9100	9100HX	99100	200	300
	mm in.	mm in.	mm in.	mm in.	mm in.	mm in.	mm in.
15	86.444 3.4033	86.939 3.4228	97.112 3.8233	91.186 3.5900	92.489 3.6413	95.529 3.7610	—
16	91.422 3.5993	91.930 3.6193	102.324 4.0285	98.069 3.8610	98.577 3.8810	102.387 4.0310	—
17	98.623 3.8828	99.162 3.9040	102.324 4.0285	—	103.805 4.0868	109.245 4.3010	—
18	103.335 4.0683	103.894 4.0903	108.966 4.2900	110.617 4.3550	110.371 4.3453	116.078 4.5700	—
19	—	108.351 4.2658	113.970 4.4870	—	115.324 4.5403	122.961 4.8410	—
20	—	116.383 4.5820	119.723 4.7135	120.523 4.7450	121.445 4.7813	129.845 5.1120	—
21	—	—	124.866 4.9610	—	134.640 5.3008	137.312 5.4060	—
22	—	125.882 4.9560	132.994 5.2360	135.509 5.3350	144.648 5.6948	143.612 5.6540	—
24	—	138.298 5.4448	143.066 5.6325	144.983 5.7080	—	155.423 6.1190	—
26	—	—	156.743 6.1710	—	160.553 6.3210	162.179 6.3850	—
28	157.442 6.1985	160.256 6.3093	167.005 6.5750	—	—	—	—
30	—	1173.87 6.8453	178.613 7.0320	—	—	198.526 7.8160	—
32	—	—	190.500 7.5000	—	—	—	—
34	—	—	199.746 7.8640	—	—	—	—
40	—	—	241.681 9.5150	—	—	—	—

Table 27. Lubrication inlet location diameters.

OPERATING TEMPERATURES FOR BEARING COMPONENT MATERIALS

These tables provide standard operating temperatures for common bearing component materials. They should be used for reference purposes only. Other bearing component materials are available on request. Contact your Timken representative for further information.

Material	Approximate Chemical Analysis %	Temp. °F	Hardness HRC	-73° C -100° F	-54° C -65° F	-17° C 0° F	38° C 100° F	93° C 200° F	121° C 250° F	149° C 300° F	204° C 400° F	260° C 500° F	316° C 600° F	371° C 700° F	427° C 800° F
Low alloy carbon-chromium bearing steels. 52100 and others per ASTM A295	1C 0.5–1.5Cr 0.35Mn	70	60	STANDARD DIMENSIONAL STABILIZATION <0.0001 in./in dimensional change in 2500 hours at 100° C (212° F). Good oxidation resistance.											
Low alloy carbon-chromium bearing steels. 52100 and others per ASTM A295	1C 0.5–1.5Cr 0.35Mn	70 350 450	58 56 54	Heat stabilized per FS136. When given a stabilizing heat treatment, A295 steel is suitable for many applications in the 177°–232° C (350–450° F) range; however, it is not as stable dimensionally as it is at temperatures below 177° C (350° F). If utmost stability is required, use materials in the 316° C (600° F) group below.											
Deep hardening steels for heavy sections per ASTM A485	1C 1–1.8Cr 1–1.5Mn .06Si	70 450 600	58 55 52	As heat-treated and tempered, it is stabilized.											
Carburizing steels per ASTM A534 a) low alloy 4118, 8X19, 5019, 8620 (Ni-Moly grades) b) high nickel 3311	Ni-Moly: 0.2C, 0.4–2.0Mn, 0.3–0.8Cr, 0–2.0Ni, 0–0.3Mo .01C, 1.5Cr, 0.4Mn, 3.5Ni	70	58	Nickel-Moly grades of steel frequently used to achieve extra ductility in innerrings for locking device bearings. 3311 and others used for extra-thick-section rings.											
Corrosion resistant 440C stainless steel per ASTM A756	1C 18Cr	70	58	Excellent corrosion resistance.											
Corrosion resistant 440C stainless steel per ASTM A756	1C 18Cr	70 450 600	58 55 52	As heat stabilized for maximum hardness at high temperatures (FS238). Good oxidation resistance at higher temperatures. Note load capacity drops off more rapidly at higher temperatures than M50 shown below, which should be considered if loads are high.											
M-50 medium high speed	4Cr 4Mo 1V 0.8C	70 450 600	60 59 57	Suggested where stable high hardness at elevated temperature is required.											

Bearings have been made of special material for operation at temperatures above 427° C (800° F). Consult your Timken representative regarding the application.

Note: ASTM A295 bearing steels are suitable for many applications up to 212° C (413° F) but are not as dimensionally stable as they are at the temperatures below 100° C (212° F).

Table 28. Rings, balls and rollers, single row.

	-54° C -65° F	-17° C 0° F	38° C 100° F	93° C 200° F	149° C 300° F	204° C 400° F	260° C 500° F	316° C 600° F	371° C 700° F	427° C 800° F
CAGES										
Molded 6/6 Nylon (PRB)										
Molded 6/6 Fiberglass										
Reinforced Nylon (PRC)										
Phenolic Resin Laminate										
Low Carbon Pressed Steel										
Pressed Stainless Steel										
Machined Bronze										
Machined Iron-Silicon Bronze										
Machined Steel										
SHIELDS										
Low Carbon Steel										
Stainless Steel										
Nylon										
SEALS										
Buna N										
Polyacrylic										
Fluoroelastomer										
Stabilized TFE Fluorocarbon ⁽¹⁾										
TFE Fluorocarbon ⁽¹⁾ (with glass fabric)										

⁽¹⁾ Limited life above these temperatures.

Table 29. Cages, shields and seals.



CONVERSION TABLES

VISCOSITY CONVERSION TABLE

SUS Saybolt (sec.)	R" Redwood (sec.)	E Engler (deg.)	cSt Centistokes (mm ² /s)
35	32.2	1.18	2.7
40	36.2	1.32	4.3
45	40.6	1.46	5.9
50	44.9	1.60	7.4
55	49.1	1.75	8.9
60	53.5	1.88	10.4
65	57.9	2.02	11.8
70	62.3	2.15	13.1
75	67.6	2.31	14.5
80	71.0	2.42	15.8
85	75.1	2.55	17.0
90	79.6	2.68	18.2
95	84.2	2.81	19.4
100	88.4	2.95	20.6
110	97.1	3.21	23.0
120	105.9	3.49	25.0
130	114.8	3.77	27.5
140	123.6	4.04	29.8
150	132.4	4.32	32.1
160	141.1	4.59	34.3
170	150.0	4.88	36.5
180	158.8	5.15	38.8
190	167.5	5.44	41.0
200	176.4	5.72	43.2
220	194.0	6.28	47.5
240	212	6.85	51.9
260	229	7.38	56.5
280	247	7.95	60.5
300	265	8.51	64.9
325	287	9.24	70.3
350	309	9.95	75.8
375	331	10.7	81.2
400	353	11.4	86.8
425	375	12.1	92.0
450	397	12.8	97.4
475	419	13.5	103
500	441	14.2	108
550	485	15.6	119
600	529	17.0	130
650	573	18.5	141
700	617	19.9	152
750	661	21.3	163
800	705	22.7	173
850	749	24.2	184
900	793	25.6	195
950	837	27.0	206
1000	882	28.4	217
1200	1058	34.1	260
1400	1234	39.8	302
1600	1411	45.5	347
1800	1587	51	390
2000	1763	57	433
2500	2204	71	542
3000	2646	85	650
3500	3087	99	758
4000	3526	114	867
4500	3967	128	974
5000	4408	142	1082
5500	4849	156	1150
6000	5290	170	1300
6500	5730	185	1400
7000	6171	199	1510
7500	6612	213	1630
8000	7053	227	1740
8500	7494	242	1850
9000	7934	256	1960
9500	8375	270	2070
10000	8816	284	2200

TO CONVERT FROM	TO	MULTIPLY BY
Acceleration		
foot/second ²	meter/second ²	m/s ² 0.3048
inch/second ²	meter/second ²	m/s ² 0.0254
Area		
foot ²	meter ²	m ² 0.09290304
inch ²	meter ²	m ² 0.00064516
inch ²	millimeter ²	mm ² 645.16
yard ²	meter ²	m ² 0.836127
mile ² (U.S. statute)	meter ²	m ² 2589988
Bending Moment or Torque		
dyne-centimeter	newton-meter	N-m 0.000001
kilogram-force-meter	newton-meter	N-m 9.806650
pound-force-inch	newton-meter	N-m 0.1129848
pound-force-foot	newton-meter	N-m 1.355818
Energy		
BTU (International Table)	joule	J 1055.056
foot-pound-force	joule	J 1.355818
kilowatt-hour	megajoule	MJ 3.6
Force		
kilogram-force	newton	N 9.806650
kilopound-force	newton	N 9.806650
pound-force (lbf avoirdupois)	newton	N 4.448222
Length		
fathom	meter	m 1.8288
foot	meter	m 0.3048
inch	millimeter	mm 25.4
microinch	micrometer	µm 0.0254
micron (µm)	millimeter	mm 0.0010
mile (U.S. statute)	meter	m 1609.344
yard	meter	m 0.9144
nautical mile (UK)	meter	m 1853.18
Mass		
kilogram-force-second ² /meter (mass)	kilogram	kg 9.806650
kilogram-mass	kilogram	kg 1.0
pound-mass (lbf avoirdupois)	kilogram	kg 0.4535924
ton (long, 2240 lbf)	kilogram	kg 1016.047
ton (short, 2000 lbf)	kilogram	kg 907.1847
tonn	kilogram	kg 1000.000
Power		
BTU (International Table)/hour	watt	W 0.293071
BTU (International Table)/minute	watt	W 17.58427
horsepower (550 ft lbf/s)	kilowatt	kW 0.745700
BTU (thermochemical)/minute	watt	W 17.57250
Pressure or Stress (Force/Area)		
newton/meter ²	pascal	Pa 1.0000
kilogram-force/centimeter ²	pascal	Pa 98066.50
kilogram-force/meter ²	pascal	Pa 9.806650
kilogram-force/millimeter ²	pascal	Pa 9806650
pound-force/foot ²	pascal	Pa 47.88026
pound-force/inch ² (psi)	megapascal	MPa 0.006894757
Temperature		
degree Celsius	kelvin	k t _k = t _c + 273.15
degree Fahrenheit	kelvin	k k = 5/9 (t _f + 459.67)
degree Fahrenheit	Celsius	°C t _c = 5/9 (t _f - 32)
Velocity		
foot/minute	meter/second	m/s 0.00508
foot/second	meter/second	m/s 0.3048
inch/second	meter/second	m/s 0.0254
kilometer/hour	meter/second	m/s 0.27778
mile/hour (U.S. statute)	meter/second	m/s 0.44704
mile/hour (U.S. statute)	kilometer/hour	km/h 1.609344
Volume		
foot ³	meter ³	m ³ 0.02831685
gallon (U.S. liquid)	liter	l 3.785412
liter	meter ³	m ³ 0.001
inch ³	meter ³	m ³ 0.00001638706
inch ³	centimeter ³	cm ³ 16.38706
inch ³	millimeter ³	mm ³ 16387.06
ounce (U.S. fluid)	centimeter ³	cm ³ 29.57353
yard ³	meter ³	m ³ 0.7645549

SUPER PRECISION BEARING MODEL REQUEST FORM

When requesting assistance, use of this form provides your Timken sales representative with a better understanding of your specific needs.

General Information

Requester: _____ Customer: _____

Country: _____ Customer country: _____

Application/type of machine: _____

Bearing Information

Type of bearings (check all that apply):

- Angular contact Radial ball Tapered roller bearing To be determined

Quantity of bearings in system: _____ (if applicable)

Bearing mounting (check all that apply):

Only/front:

Rear (optional):

- | | |
|---|---|
| <input type="checkbox"/> \emptyset | <input type="checkbox"/> \emptyset |
| <input type="checkbox"/> \emptyset | <input type="checkbox"/> \emptyset |
| <input type="checkbox"/> $\emptyset \emptyset$ | <input type="checkbox"/> $\emptyset \emptyset$ |
| <input type="checkbox"/> $\emptyset \emptyset$ | <input type="checkbox"/> $\emptyset \emptyset$ |
| <input type="checkbox"/> $\emptyset \emptyset$ | <input type="checkbox"/> $\emptyset \emptyset$ |
| <input type="checkbox"/> $\emptyset \emptyset \emptyset$ | <input type="checkbox"/> $\emptyset \emptyset \emptyset$ |
| <input type="checkbox"/> $\emptyset \emptyset \text{---} \emptyset$ | <input type="checkbox"/> $\emptyset \emptyset \text{---} \emptyset$ |
| <input type="checkbox"/> $\emptyset \emptyset \emptyset \emptyset$ | <input type="checkbox"/> $\emptyset \emptyset \emptyset \emptyset$ |
| <input type="checkbox"/> $\emptyset \emptyset \text{---} \emptyset \emptyset$ | <input type="checkbox"/> $\emptyset \emptyset \text{---} \emptyset \emptyset$ |

Bearing part number(s)/location
(i.e. work end or drive end):

or

New bearing:

Shaft size(s): _____

Housing size(s): _____

Width size(s): _____

(specific size(s) or range)

Bearing mounting configuration: (please attach drawing or sketch with bearing positions and load positions OR with tool as position "0," provide distance to each bearing, including which bearing is fixed and which is float, if applicable – also, describe contact angle orientation.)

Application Information

Speed: _____ (rpm)

Lubrication method/name: _____

All fixed or with rear floating

Rotation: Inner ring Outer ring

Temperature: Ambient temperature or

Shaft _____

Housing _____

Bearing _____

Sump (if applicable) _____



Application Information

Speed: _____ (RPM)

Lubrication method/name: _____

All fixed or with rear floating

Rotation: Inner ring Outer ring

Temperature: Ambient temperature or Shaft _____

Housing _____

Bearing _____

Sump (if applicable) _____

External Load Information

Internal drive (i.e. motorized spindle)

External drive loads

Direct drive

Belt drive or chain drive

F_{belt or chain}: _____ or HP: _____

D_m (pitch diameter): _____

Single chain Double chain V belt

Gear drive

	Spur	Helical	Herringbone	Straight bevel	Spiral bevel
Torque or HP					
Gear mesh point					
Drive or driven					
Location					
Pitch diameter				(1)	(1)
Pressure angle					
Hand (L/R)	N/A		N/A	N/A	
Mean working diameter	N/A	N/A	N/A		
Helix angle	N/A			N/A	N/A
Apex (L/R)	N/A	N/A	N/A		
Pitch angle	N/A	N/A	N/A		
Spiral angle	N/A	N/A	N/A	N/A	
Number of teeth	(1)	(1)	(1)	(1)	(1)
Gear thickness	(1)	(1)	(1)	(1)	(1)
Tooth length	N/A	N/A	N/A	(1)	(1)
Do not invert sense of rotation	N/A	N/A	N/A	<input type="checkbox"/>	<input type="checkbox"/>
Internal meshing	<input type="checkbox"/>	<input type="checkbox"/>	<input type="checkbox"/>	N/A	N/A

⁽¹⁾Optional fields.

External loads Radial: _____

Axial location: _____

Axial: _____

Reversing?

Moment: _____

Customer requirements (i.e. L₁₀ life, stiffness, accuracy, etc.): _____

SUPER PRECISION DAMAGE ANALYSIS REQUEST FORM

When requesting assistance, use of this form provides your Timken sales representative with a better understanding of your specific needs.

Customer: _____ CCR/RGA#: _____

Bearing user: _____ Qty.: _____ Date req'd: _____

Sales engineer: _____ District office: _____

Reason for analysis request: _____

Repairability and cost to repair required: Yes No

Hold bearing until further notice Scrap 30 days after analysis Return to D.O.

Bearing Information

Brg. no.: _____ Type: _____ Date code: _____ S.N.: _____

New bearing Repaired bearing Date installed: _____ Service life: _____

Application Information (Circle appropriate measurements)

Equipment/model no.: _____ Job no.: _____

Loads: Radial: _____ (kg/lb.) Axial: _____ (kg/lb.)

Moment: _____ (ft-lb.) Rotation: I.R. O.R.

Speed: _____ (RPM) Oscillation angle: _____ (Total degrees) Freq.: _____ (opm)

Lubrication Method: _____ Brand: _____

Temp.: Ambient _____ (°C/°F) Housing: _____ (°C/°F) Bearing: _____ (°C/°F) Lubricant: _____ (°C/°F)

Shaft fit/size: _____ Housing fit/size: _____

Installation method: Hydraulic: Mechanical: Thermal: Other: _____

Removal method: Hydraulic: Mechanical: Thermal: Other: _____

Operating Equipment Condition

Initial indication of bearing damage: Vibration: Noise: Heat: Other: _____

Shaft condition: _____

Housing condition: _____

Lubricant condition: _____

Inner ring condition: _____

Outer ring condition: _____

Cage condition: _____

Rolling elements condition: _____

General comments: _____



INDEX

ITEM	PRODUCT DESCRIPTION	PAGE	SECTION
BSBU* SERIES	Ball Bearing	206-207	C
BSPB* SERIES	Ball Bearing	208-209	C
BALL SCREW SUPPORT SERIES	Ball Bearing	200-205	C
EX-CELL-O SERIES	Ball Bearing	214-215	C
JL***	Tapered Roller Bearing	112-113, 116-117, 124-125	B
JLM***	Tapered Roller Bearing	112-113	B
JM***	Tapered Roller Bearing	112-113	B
JP***	Tapered Roller Bearing	112-113, 116-117, 122-123	B
JXR***	Tapered Roller Bearing	120	B
LM***	Tapered Roller Bearing	114-115	B
MM200K SERIES	Ball Bearing	192-193	C
MM200WI SERIES	Ball Bearing	184-191	C
MM300K SERIES	Ball Bearing	198-199	C
MM300WI SERIES	Ball Bearing	194-197	C
MMF SERIES	Ball Bearing	210-211	C
MMN SERIES	Ball Bearing	212-213	C
MM9100K SERIES	Ball Bearing	182-183	C
MM9100WI SERIES	Ball Bearing	158-165	C
MM9300WI SERIES	Ball Bearing	142-149	C
MMV9100HX SERIES	Ball Bearing	166-173	C
MMV9300HX SERIES	Ball Bearing	150-157	C
MMV99100WN SERIES	Ball Bearing	174-181	C
TS STYLE	Tapered Roller Bearing	112-115	B
TSF STYLE	Tapered Roller Bearing	116-119	B
TSHR STYLE	Tapered Roller Bearing	122-125	B
TXR STYLE	Tapered Roller Bearing	120-121	B
XR***	Tapered Roller Bearing	121	B

Timken application engineering expertise is only a phone call away. Highly skilled technical assistance can be reached by calling (US and Canada): 1-800-223-1954. Outside this region, call 330-438-3000 or visit our website at:

www.timken.com



NOTES



TIMKEN

The Timken team applies their know-how to improve the reliability and performance of machinery in diverse markets worldwide. The company designs, makes and markets high-performance mechanical components, including bearings, gears, belts, chain and related mechanical power transmission products and services.

Stronger. Commitment. Stronger. Value. Stronger. Worldwide. Stronger. Together. | Stronger. By Design.

www.timken.com